

SPECIFICATIONS

FIGURE 7707

PIPING PRODUCTS



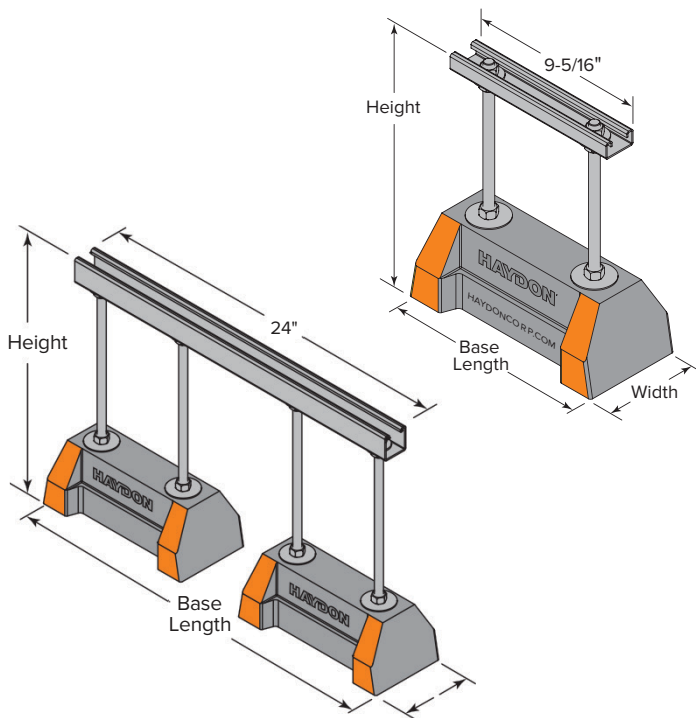
PIPE SUPPORTS

The 7707 series is designed to support a variety of applications.

FEATURES

- Single pipe support
- Pre-assembled
- 13/16" or 1-5/8" strut channel
- Made from 100% recycled rubber
- UV resistant
- Made in the USA

Not recommended for pipe roller series.



Catalog Number	Height	Width	No. of Bases Required	Strut Length	Strut Size	Base Length	Weight	Design Load	Safety Factor
FNW7707X	8"	5"	1	9.312"	13/16"	10-7/8"	6.89 lbs	1000 lbs	2
FNW770712	12"	5"	1	9.312"	13/16"	10-7/8"	7.34 lbs	1000 lbs	2
FNW770716	16"	5"	2	24.0"	1-5/8"	26"	15.85 lbs	1462 lbs	2