

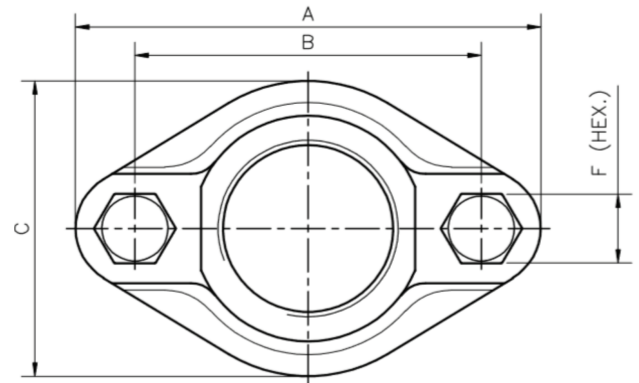
Meter Flange Pair

Product Specifications

PSXMFJ/PSXMFK

Product Features

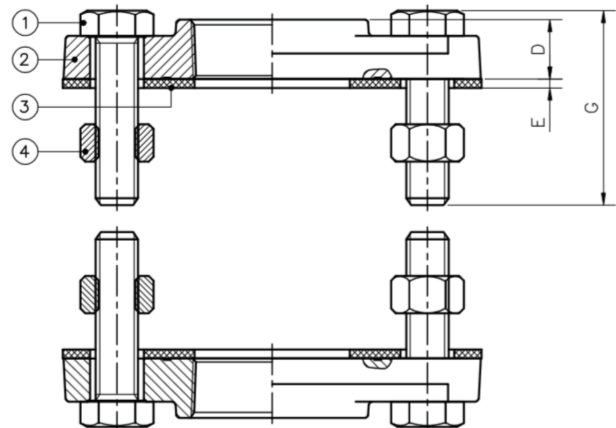
- To be used in water meter application
- Lead-free cast bronze
- Includes full face gasket
- Sold as pair
- Certified to NSF/ANSI 61 and NSF/ANSI 372
- Imported



Specifications

| Item | Description | Dimensions | | | | | | |
|--------|-----------------------------|------------|--------|--------|------|------|------|--------|
| | | A | B | C | D | E | F | G |
| PSXMFJ | 1-1/2" FIP MTR FLG KIT PAIR | 5-1/2" | 4" | 3-2/7" | 8/9" | 1/8" | 1" | 2-4/5" |
| PSXMFK | 2" FIP MTR FLG KIT PAIR | 6 | 4-1/2" | 3-8/9" | 7/8" | 1/8" | 8/9" | 2-4/5" |

| No. | Part | Material |
|-----|----------------|----------------------|
| 1 | Bolt | Stainless Steel 304 |
| 2 | Flange | Cast Bronze No Lead |
| 3 | Full Face Part | Rubber (NBR) SN-719F |
| 4 | Nut | Stainless Steel 304 |



Warranty

This PROSELECT product carries a standard 1-year limited warranty.