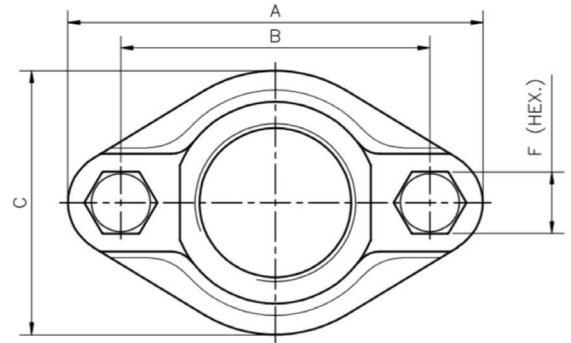


METER FLANGE PAIR

Product Features

- To be used in water meter application
- Lead Free cast bronze
- Includes full face gasket
- Sold as pair
- Manufactured in compliance with ANSI/AWWA C800
- Certified to NSF/ANSI 61 and NSF/ANSI 372
- Imported



Model Numbers

Item	Description	Dimensions						
		A	B	C	D	E	F	G
PSXMFJ	1-1/2" FIP MTR FLG KIT PAIR	5-1/2"	4"	3-2/7"	8/9"	1/8"	1"	2-4/5"
PSXMFK	2" FIP MTR FLG KIT PAIR	6"	4-1/2"	3-8/9"	7/8"	1/8"	8/9"	2-4/5"

No.	Part	Material
1	BOLT	STAINLESS STEEL 304
2	FLANGE	CAST BRONZE NO LEAD
3	FULL FACE GASKET	RUBBER (NBR) SN-719F
4	NUT	STAINLESS STEEL 304

