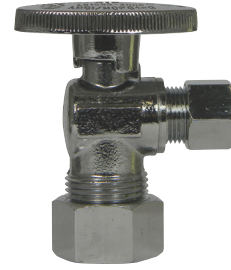


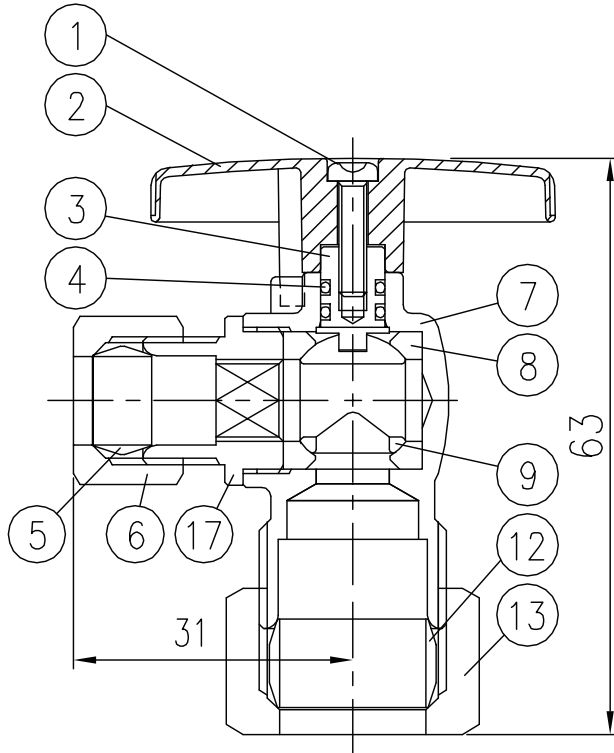
# SUBMITTAL DATA SHEET

No-Lead Quarter Turn Chrome Stops  
 Angle Quarter Turn Supply Stop – 72082C

COMP X COMP



A.Y. McDonald Mfg. Co. No-Lead Quarter Turn Supply Stops are fully certified to all applicable standards. The Ball Valve design allows for ease of operation and positive shut-off and is ideal for residential and commercial applications. Each valve is constructed of heavy duty chrome plated brass.



## Materials

No.	Part	Material
1	Handle Screw	Carbon Steel
2	Handle	Aluminum
3	Stem	No-Lead Brass
4	O-Ring	Rubber
5	Compression Ring	No-Lead Brass
6	Compression Nut	Brass
7	Body	No-Lead Brass
8	Ball Disc Packing	EPDM
9	Ball Disc	No-Lead Brass
12	Compression Ring	NBR
13	Compression Nut	Brass
17	End Plug	No-Lead Brass

## SUBMITTAL INFORMATION

- Size: 5/8" x 3/8"  
 - NSF/ANSI 61-8 & NSF / ANSI 372

**NO-LEAD:** The weighted average of the wetted surface of this no-lead product contacted by consumable water contains less than one quarter of one percent (0.25%) lead.



**A.Y. McDonald Mfg. Co.**  
 P.O. Box 508  
 Dubuque, IA 52004-0508

**Toll Free: 1-800-292-2737**  
**Fax: 1-800-832-9296**  
**Hours: 7:00 a.m. - 5:00 p.m., CST**

[sales@aymcdonald.com](mailto:sales@aymcdonald.com)  
[www.aymcdonald.com](http://www.aymcdonald.com)

A.Y. McDonald considers the information on this assembly drawing correct when published. Item and option availability, including specifications, are subject to change without notice.

**Submitted by:**