



# WILLIS WIDESPREAD FAUCET

## BEFORE YOU BEGIN

We recommend consulting a professional if you are unfamiliar with installing plumbing fixtures. Signature Hardware accepts no liability for any damage to the faucet, plumbing, sink, counter top, or personal injury during installation.

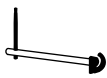
Observe all local plumbing and building codes.

Unpack and inspect the item for damage. If any damage is found, contact our Customer Relations team at 1-866-855-2284.

## TOOLS AND MATERIALS:



Plumber's Tape



Basin Wrench\*



Thread Sealant\*



Adjustable Wrench\*

\*not included

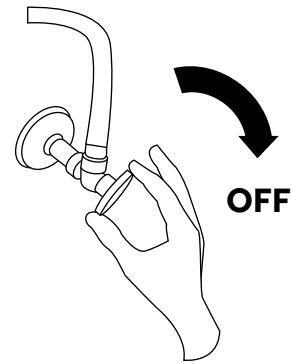
## GETTING STARTED

- Ensure that you have gathered all of the required materials that are needed for the installation.
- For these instructions, it is assumed that the old faucet has been completely removed and any necessary repairs or modifications to the water supply have been completed.

## INSTALLATION

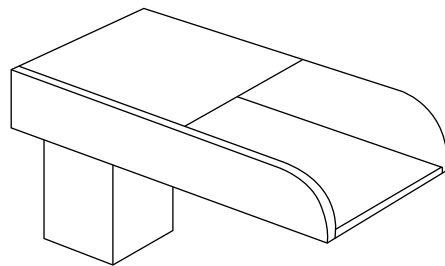
1. Ensure that the water supply below your sink is completely shut off by turning the valve all the way to the right.

**Tip:** Place a small bucket below your workspace to catch any water that may drip during the installation process.



2. Apply a bit of plumber's tape or thread sealant to the threading of the spout shank, on the end containing the rubber O-ring. Insert the shank into the spout and secure it by hand tightening.

**Important:** Do not use an adjustable wrench to tighten, which can damage the threading on the shank.

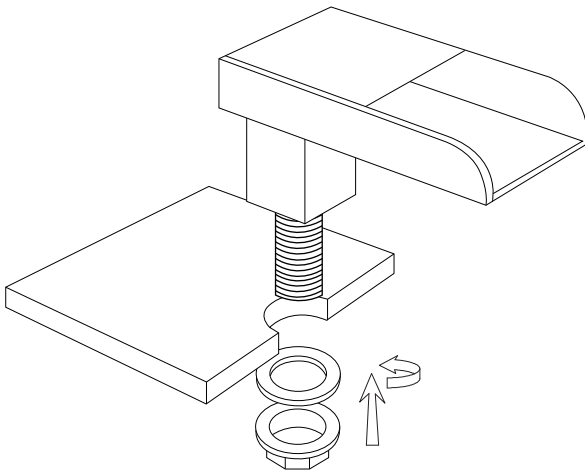


Apply plumber's tape or thread sealant

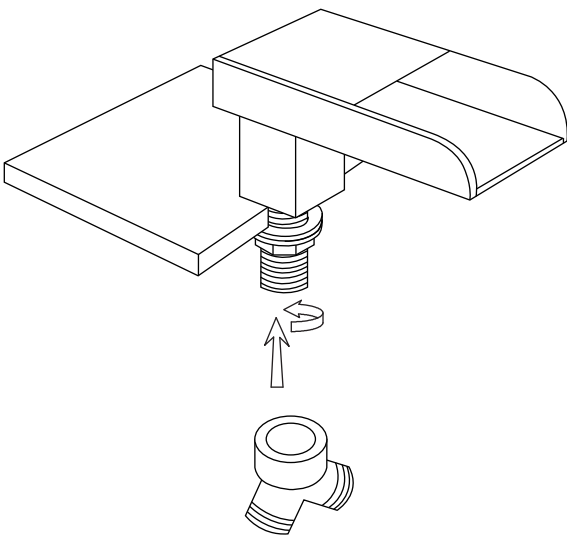


## WILLIS WIDESPREAD FAUCET

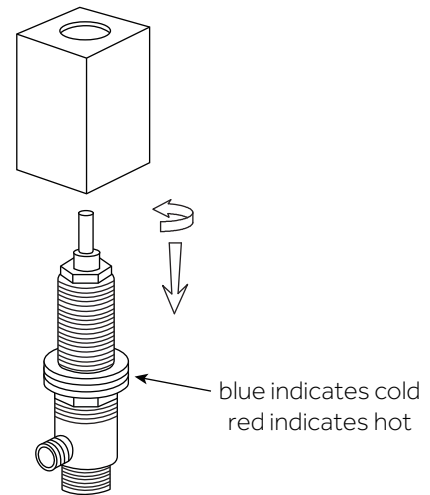
3. Set the spout into the center faucet hole. From beneath the countertop, slide the provided rubber gasket onto the shank and use the brass lock nut to secure. Hand tighten the lock nut, then finish tightening using a basin wrench



4. Attach the Y-connector to the end of the spout shank by hand tightening. Apply plumber's tape or thread sealant to the threading before attaching. Ensure that the outlets of the Y-connector are pointing to the left and right.

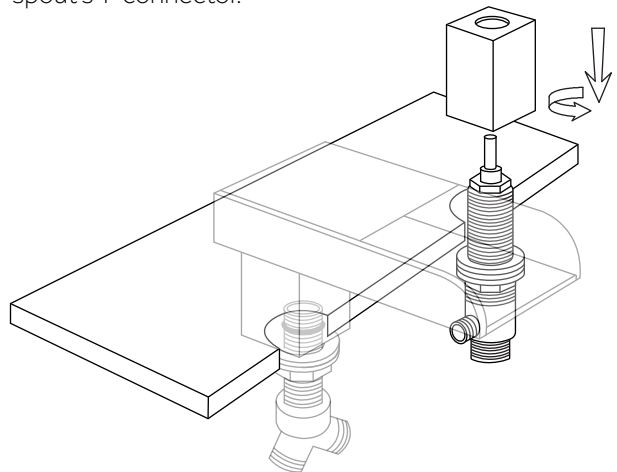


5. The faucet's valve stems are labeled the color of their rubber gasket — blue for 'cold' and red for 'hot.' Remove the handle from the 'cold' valve stem to prepare for the install.



6. From under the countertop, insert the valve stem into the right-side faucet hole. Reattach the handle base from above the countertop by hand tightening until approximately  $\frac{3}{4}$ " of the handle stem is exposed from the top.

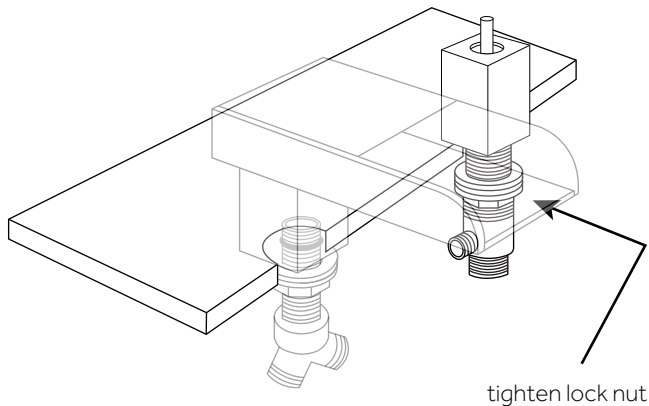
**Tip:** While tightening, hold the valve stem in place so that the outlet on the side of the stem is facing the spout's Y-connector.



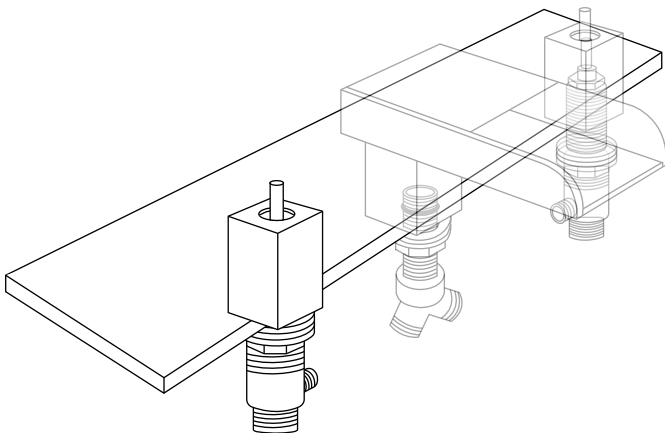


## WILLIS WIDESPREAD FAUCET

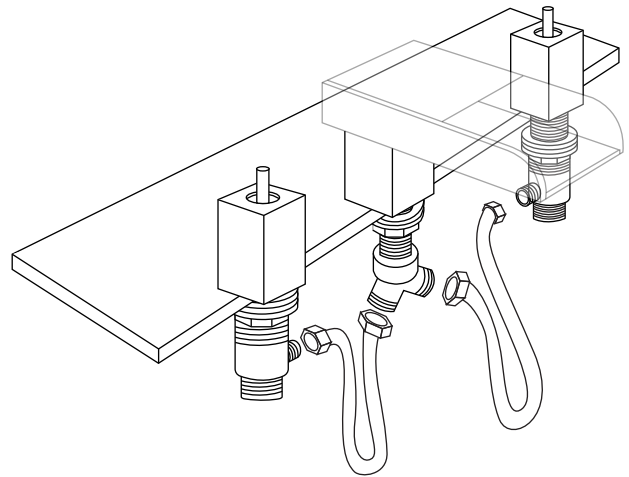
7. From beneath the countertop, hand tighten the lock nut on the valve stem until secure. Finish tightening with a basin wrench. Ensure that the outlet on the side of the valve stem is facing the spout's Y-connector.



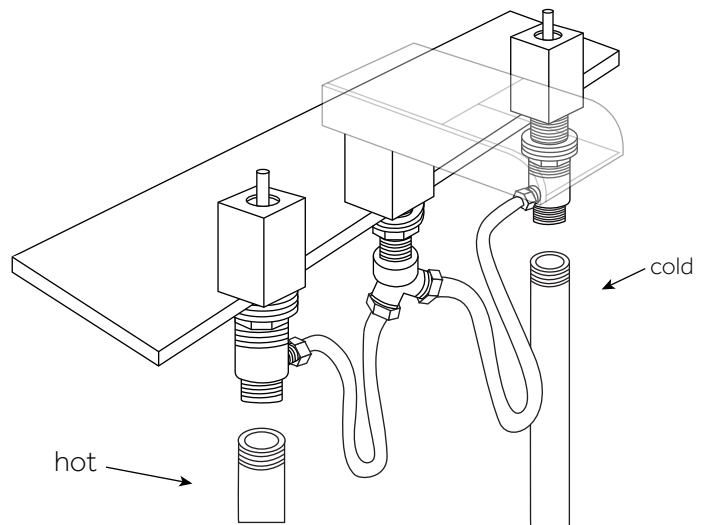
8. Repeat steps 5-7 for installing the 'hot' valve stem into the left side faucet hole.

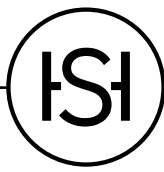


9. Use the provided water line to connect the hot and cold valve stems to the spout's Y-connector. Use an adjustable wrench to tighten, but be careful not to overtighten. Apply thread sealant or plumber's tape to each threaded connection before attaching.



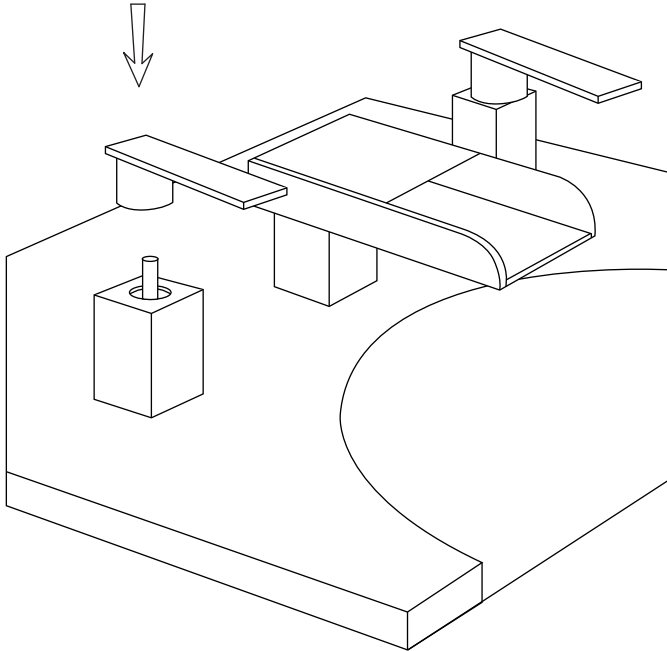
10. Attach the main water lines to the proper inlet on the bottom of each valve stem. Use an adjustable wrench to tighten, but be careful not to overtighten. Apply thread sealant or plumber's tape to each threaded connection. Ensure that you are connecting the hot and cold lines appropriately.





## WILLIS WIDESPREAD FAUCET

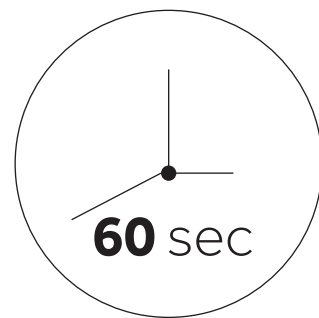
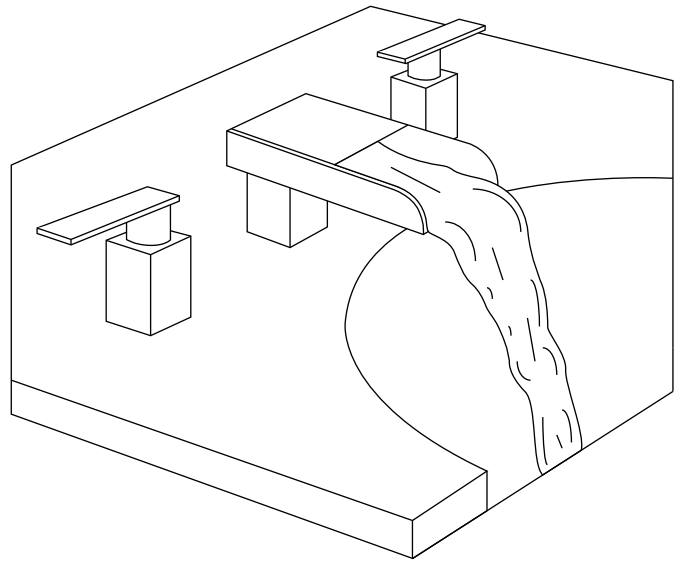
11. Attach the handles to the valve stems by tightening the set screws on the back of each handle. Use the provided hex wrench for tightening.



12. Once installation is complete, turn the main water supply back on from below your sink. Check for any leaks underneath.



13. Turn the faucet on for approximately 60 seconds to allow any dust or loose sediment to exit the water lines. Check for any leaks. Test both hot and cold water to ensure they are running properly.

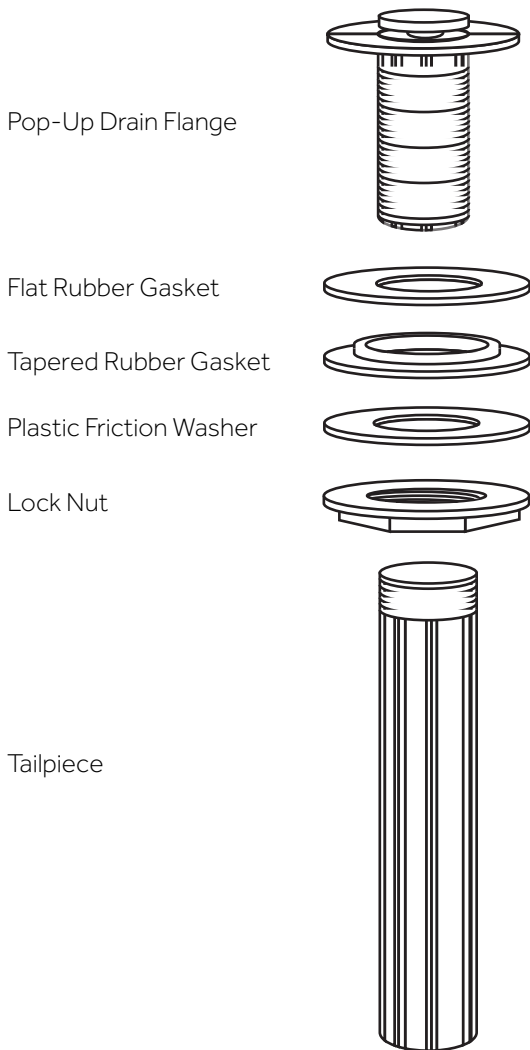




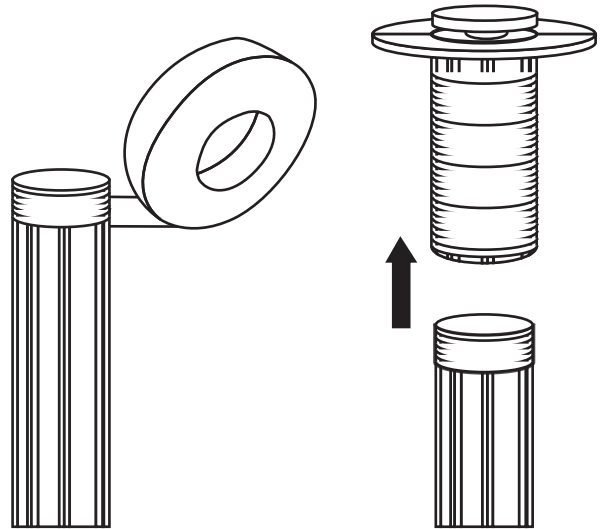
# WILLIS WIDESPREAD FAUCET

## DRAIN INSTALLATION

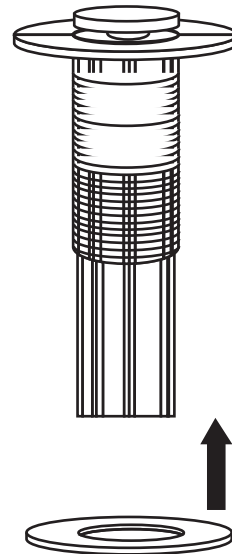
1. Dissassemble the drain assembly and lay the parts aside, in the same order they were removed. See the illustration below as a reference if needed.



2. Apply plumber's tape to the threading on the tailpiece, then reattach the tail piece to the pop-up drain flange.



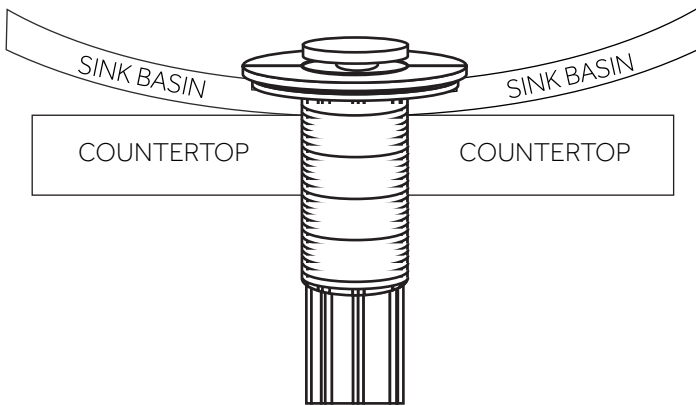
3. Slide the flat rubber gasket up the tailpiece until it meets the lip of the pop-up drain flange.



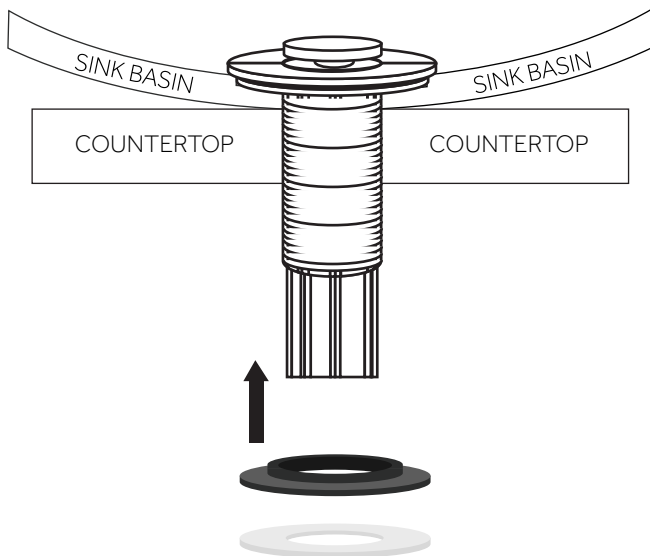


## WILLIS WIDESPREAD FAUCET

4. Insert the drain flange and tailpiece through the top of your sink's drain hole.



5. From under your counter, slide the tapered rubber gasket followed by the plastic friction washer onto the tailpiece until they meet your sink or countertop. Be sure that the tapered side of the rubber washer is facing up.



6. Thread the lock nut onto the drain flange. Hand tighten until secure, then finish tightening with a basin wrench once the drain is properly aligned.

**Important:** Be careful not to overtighten, which could crack a porcelain sink or stone countertop.

