



# HINSON DUAL SHOWER HEAD SYSTEM

## WITH HAND SHOWER

### SPECIFICATIONS

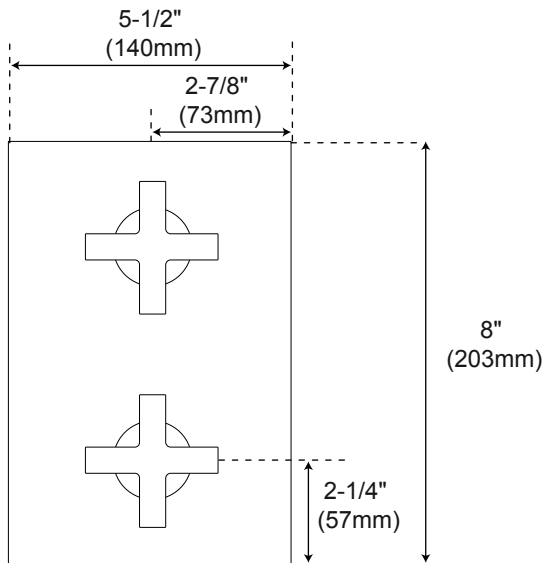
#### CONTENTS

Diverter.....	2
Wall Shower Head.....	3
Overhead Shower Head.....	4
Hand Shower.....	5

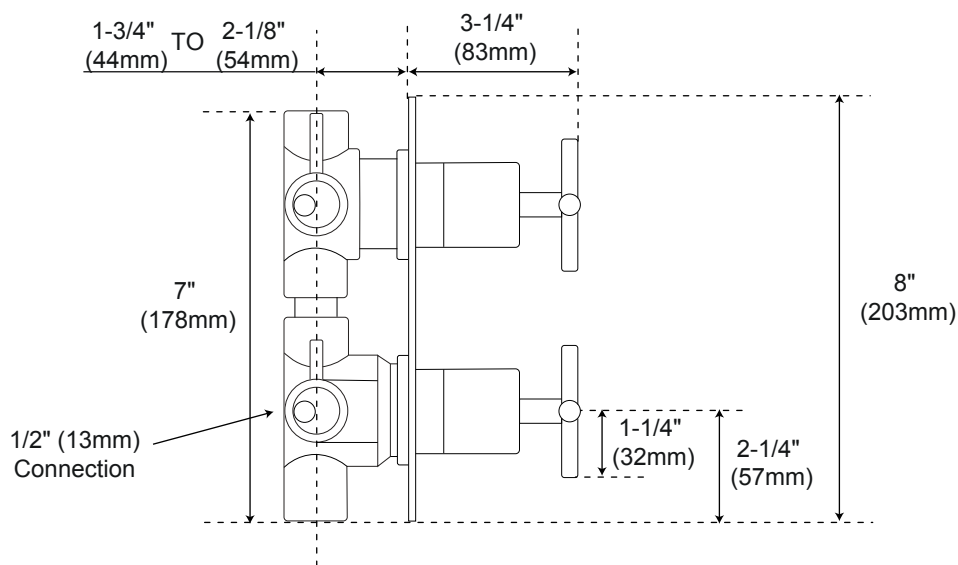


# Diverter

Front



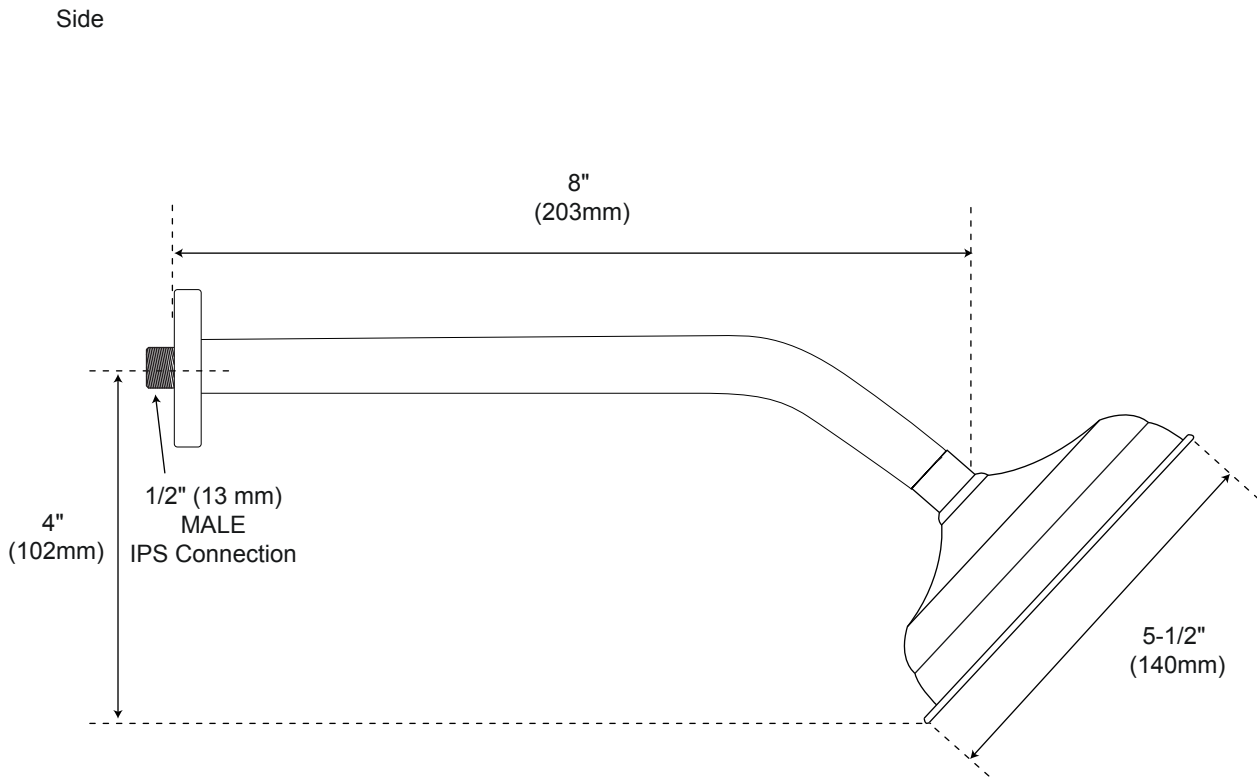
Side



All product dimensions are nominal.



# Wall Shower Head

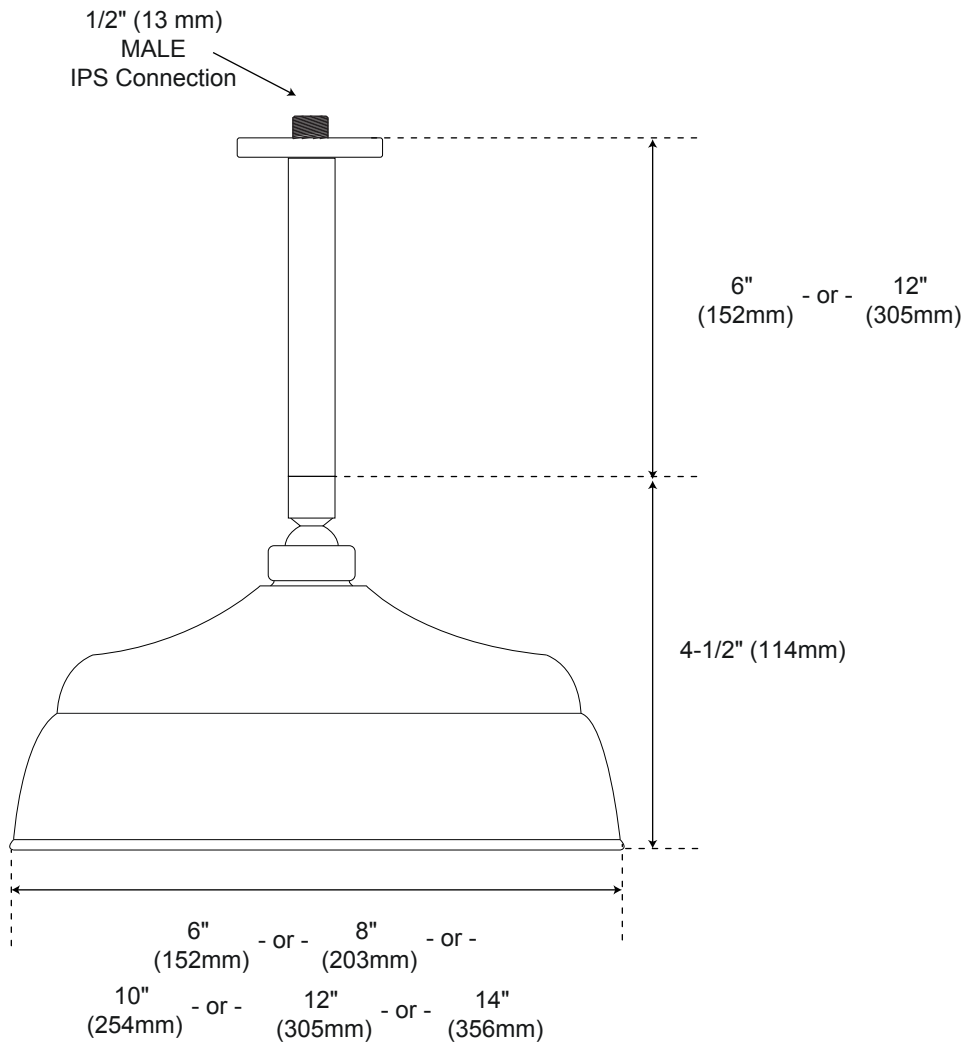


All product dimensions are nominal.



# Overhead Shower Head

Side

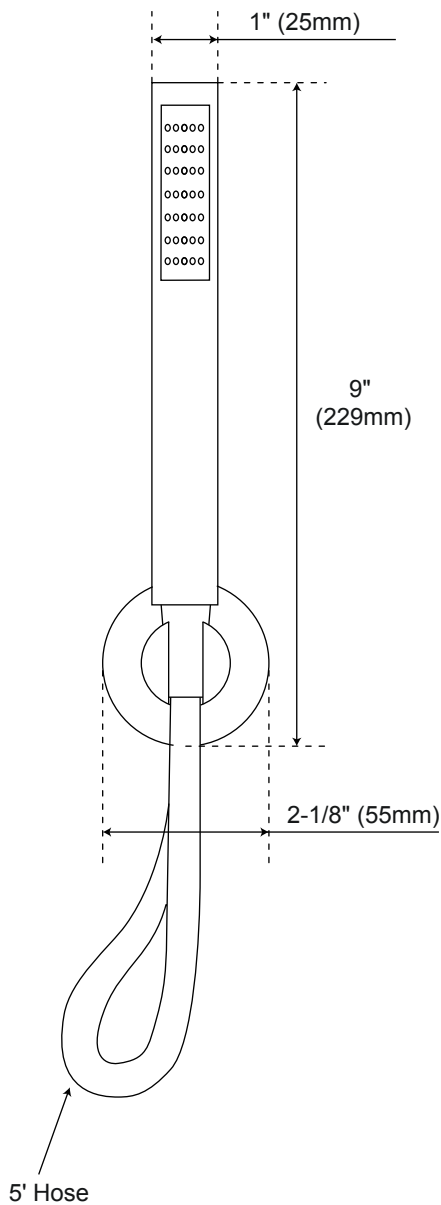


All product dimensions are nominal.

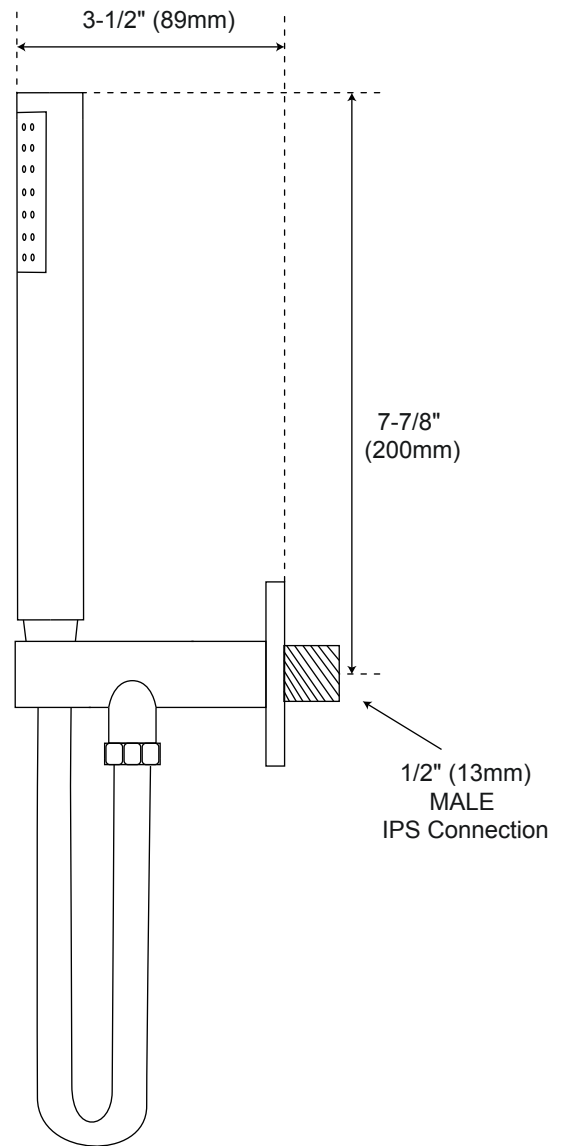


# Handshower

Front



Side

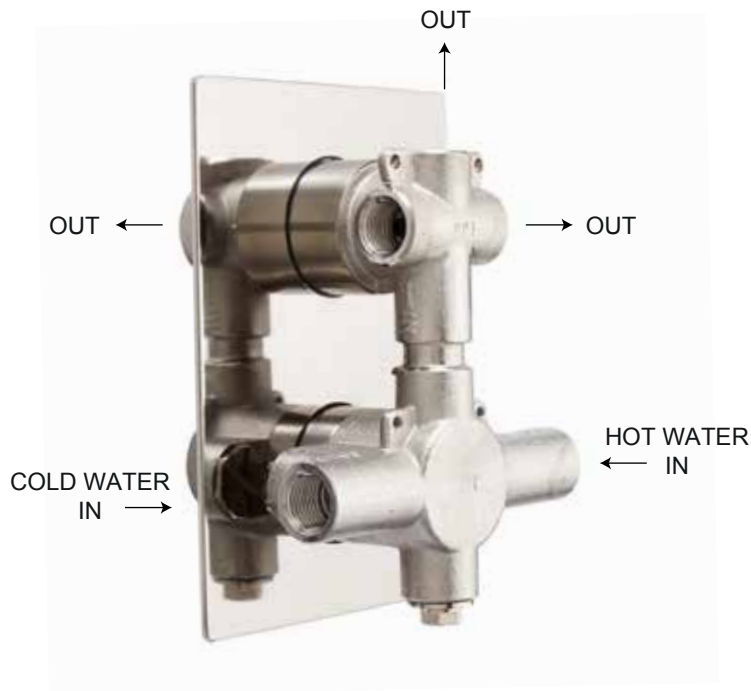


All product dimensions are nominal.



# Diverter

(back)



All product dimensions are nominal.