



# HINSON SHOWER SYSTEM

## WITH 3 BODY SPRAYS

### SPECIFICATIONS

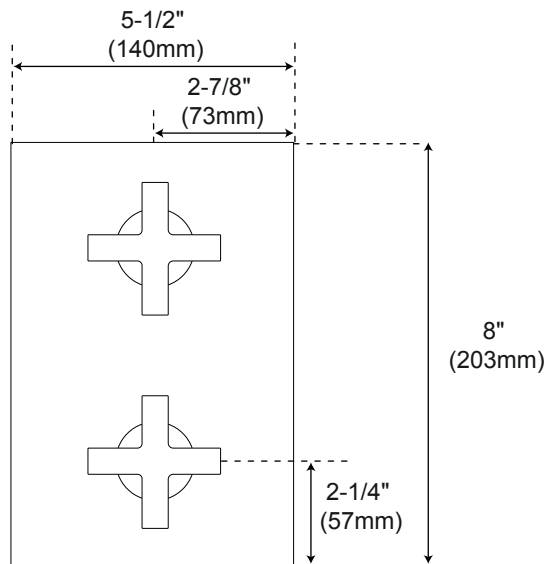
#### CONTENTS

|                           |   |
|---------------------------|---|
| Diverter.....             | 2 |
| Overhead Shower Head..... | 3 |
| Handshower .....          | 4 |
| Body Sprays .....         | 5 |

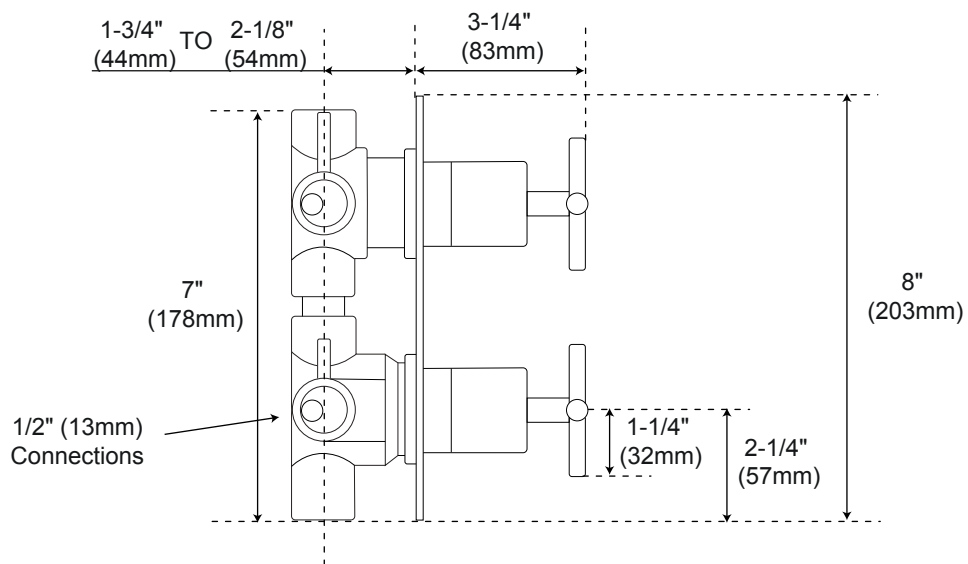


# Diverter

Front



Side

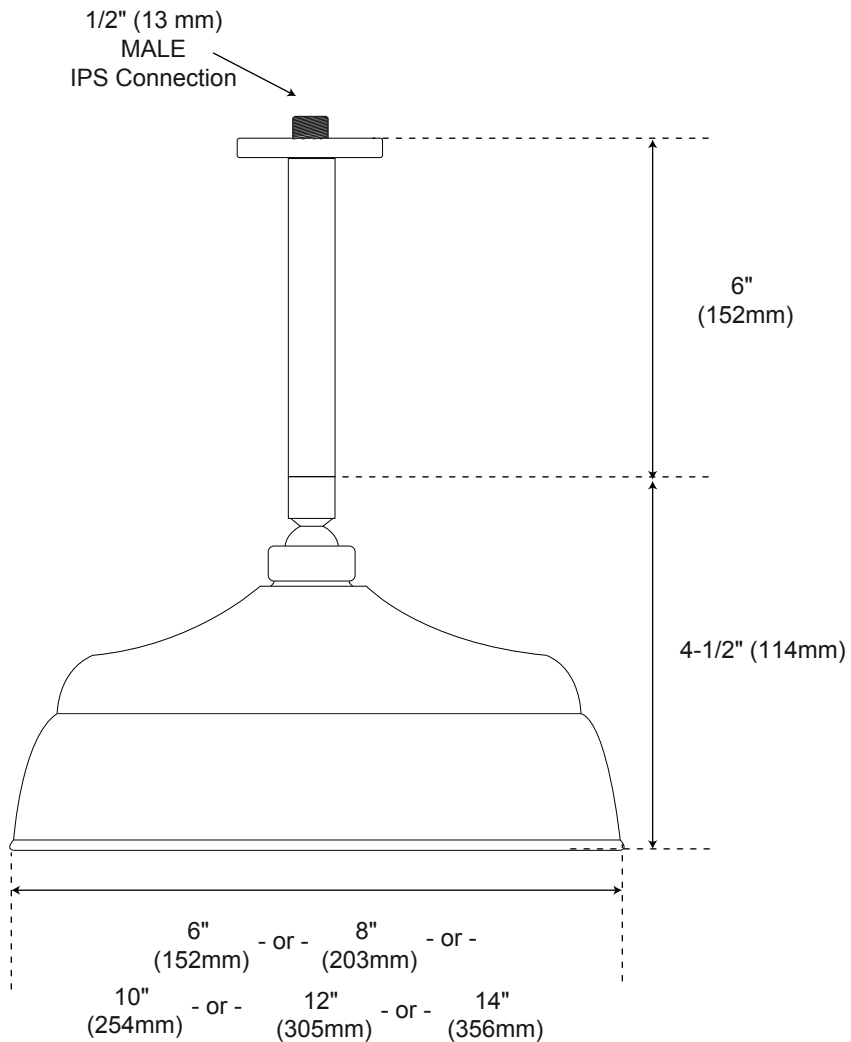


All product dimensions are nominal.



# Overhead Shower Head

Side

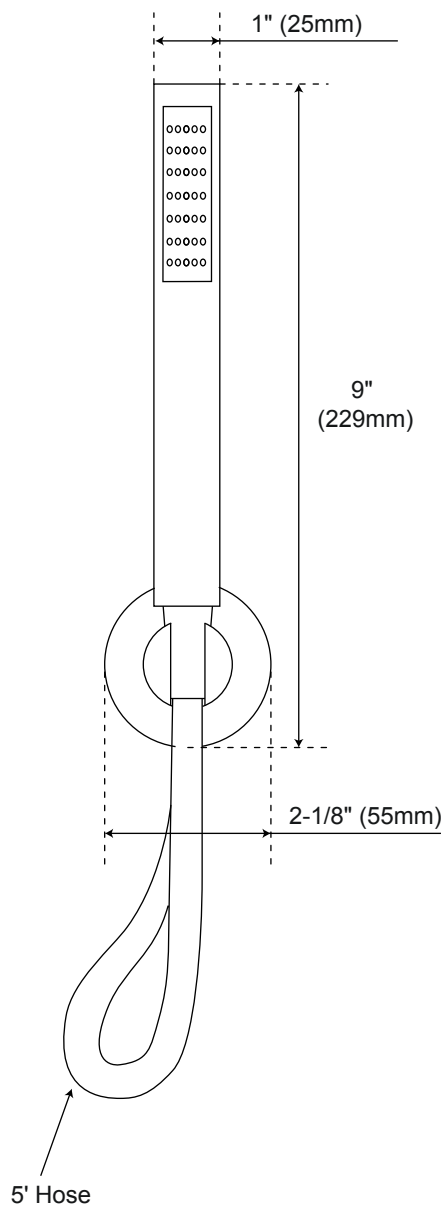


All product dimensions are nominal.

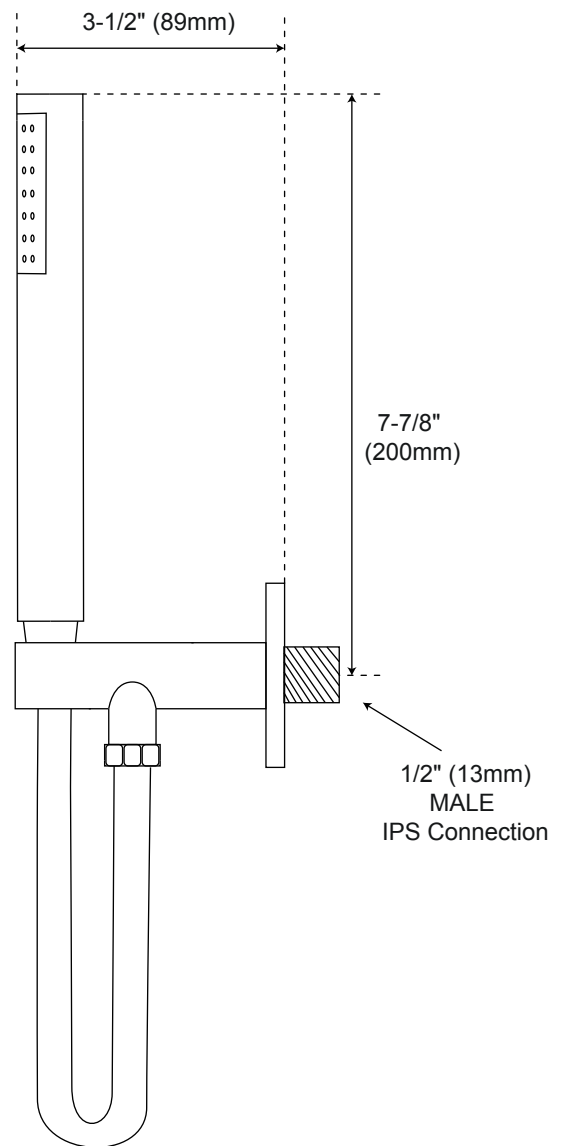


# Handshower

Front



Side

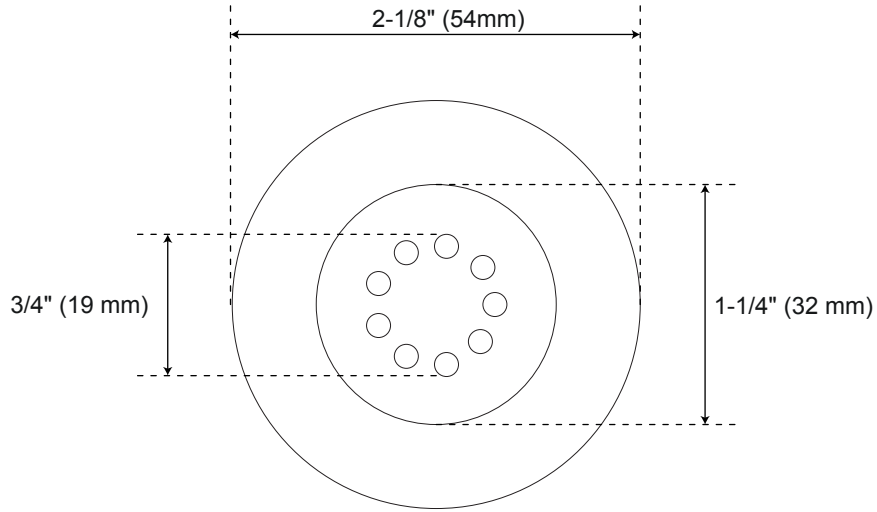


All product dimensions are nominal.

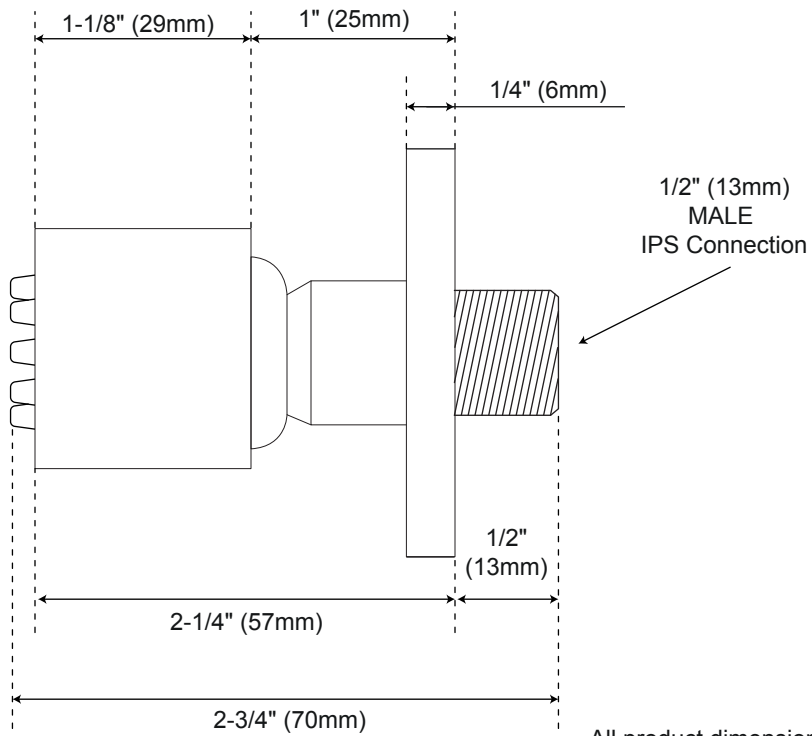


# Body Sprays

Front



Side

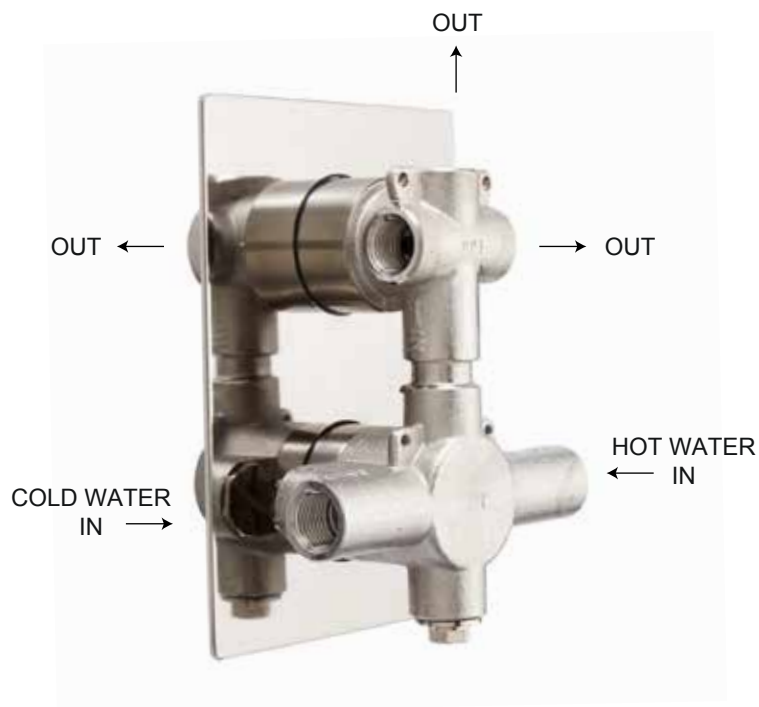


All product dimensions are nominal.



# Diverter

(back)



All product dimensions are nominal.