



OSBORNE SHOWER DOOR INSTALLATION

BEFORE YOU BEGIN

We recommend consulting a professional if you are unfamiliar with installing this type of product. Signature Hardware accepts no liability for any damage to the product, home, or for personal injury during installation.

Observe all local plumbing and building codes.

Unpack and inspect the product for shipping damage. If any damage is found, contact our Customer Relations team at 1-866-855-2284.

GETTING STARTED

- Ensure that you have gathered all the required materials that are needed for the installation.

TOOLS AND MATERIALS:



Phillips
Screwdriver



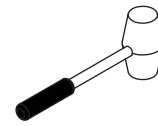
Silicone Sealant
(100% Neutral
Cure)



Drill



Tape Measure



Rubber
Mallet



Drill Bits



Level



Pencil

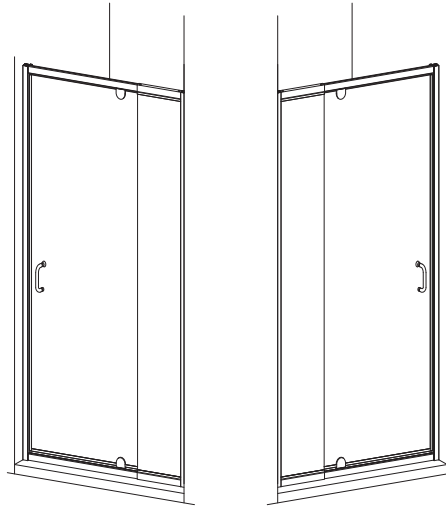


Safety Glasses



OSBORNE SHOWER DOOR INSTALLATION

INSTALLATION



Left Pivot
Install

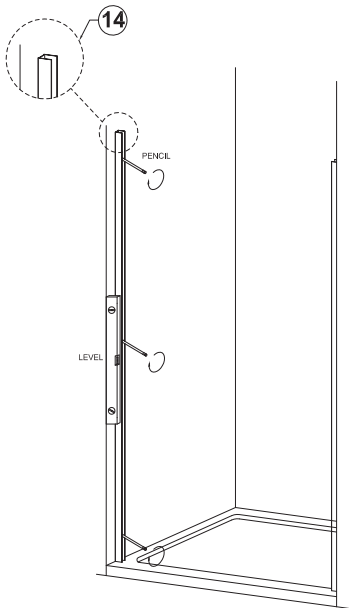
Right Pivot
Install

1		2		3		4		5							
	Wall Plug (x6)		Screw 1-1/2" (x6)		Screw Cap (x11)		Screw 3/8" (x8)		Screw 5/8" (x4)						
6		7		8		9		10							
	Screw 1" (x4)		Aluminum Gasket (x2)		Pivot (x2)		Handle (x1)		Door Magnetic Plastic (x2)						
11		12		13		14		15							
	Pivot Side Splash Guard (x1)		Plastic Sweep (x2)		Magnetic Wall Jamb (x1)		Wall Jamb (x2)		Top/Bottom Track (x2)						
16		17		18		19		20		21		22		23	
	Fixed Panel (x1)		Door (x1)		Bottom Pivot Blocks (x1)		Pivot Washer (x2)		Washer (x2)		Top Pivot Blocks (x1)		Stopper (x1)		Screw 5/16" (x1)



OSBORNE SHOWER DOOR INSTALLATION

Step 1: Set the level on the walls to ensure that they are plum, then set the wall jambs (14) in place. Mark the hole locations.

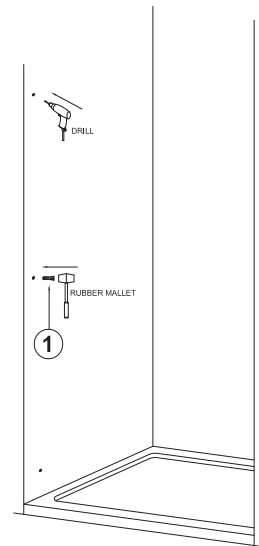
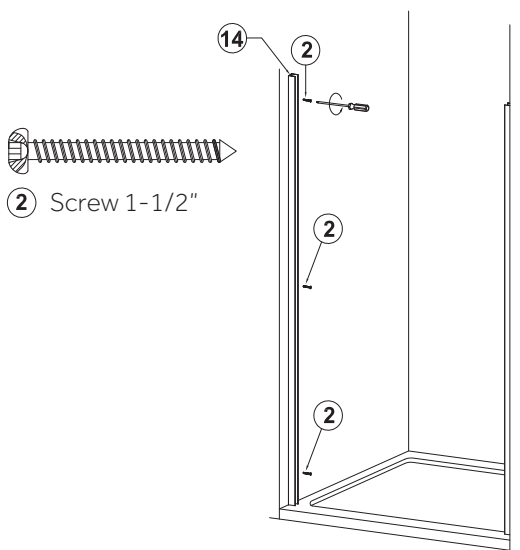


Step 2A: For tiled shower enclosures, use a 1/4" drill bit to drill holes 1-1/2" deep at each of the marked locations. Insert wall plugs (1) into each hole.

Step 2B: For acrylic and fiberglass shower enclosures, use a 1/8" drill bit to drill holes 1-1/2" deep at each of the marked locations.

IMPORTANT: Do not use wall plugs with acrylic or fiberglass enclosures.

Step 3: Set wall jambs (14) in place and secure to the walls using 1-1/2" screws (2).

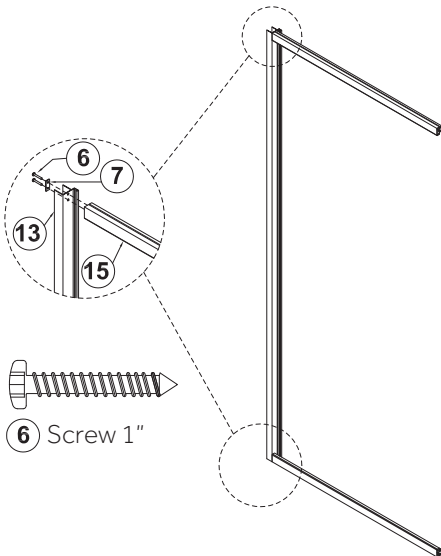




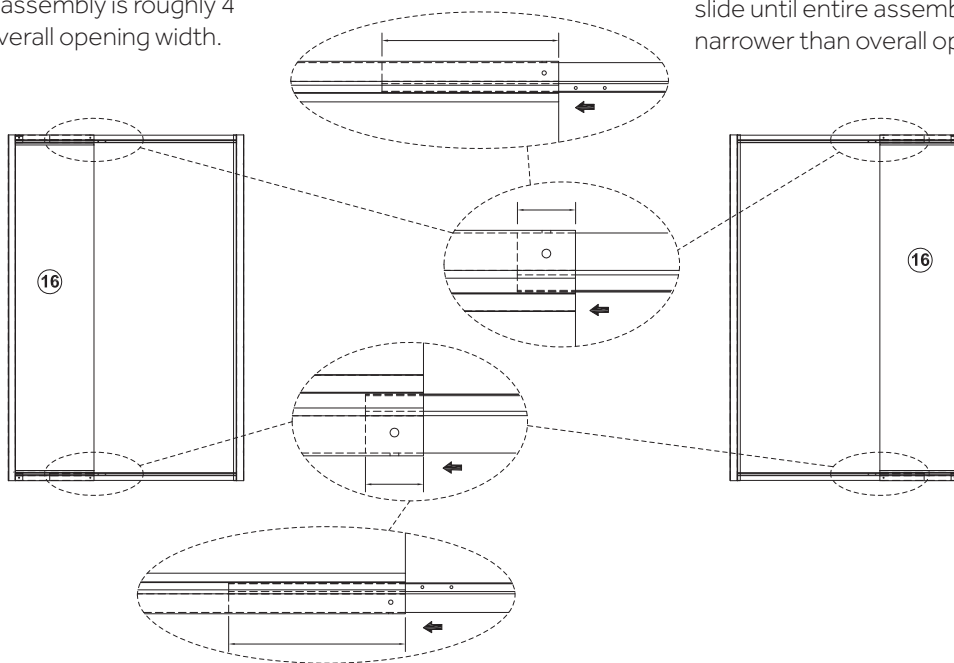
OSBORNE SHOWER DOOR INSTALLATION

RIGHT PIVOT ASSEMBLY

Step 4: Connect the magnetic wall jamb (13) to the top and bottom track (15) with aluminum gasket (7) and screws (6).

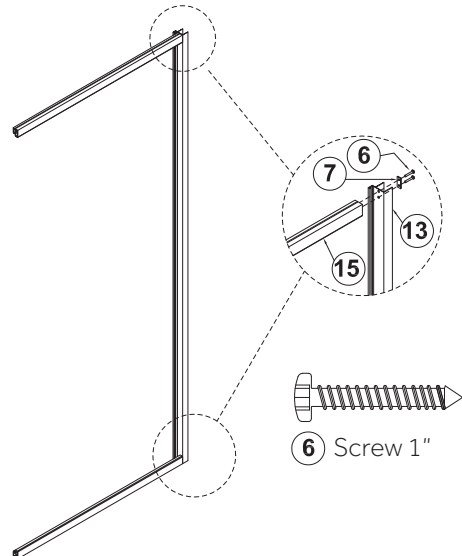


Step 5: Insert frame ends into the top and bottom opening of fixed panel (16) and slide until entire assembly is roughly 4" narrower than overall opening width.



LEFT PIVOT ASSEMBLY

Step 4: Connect the magnetic wall jamb (13) to the top and bottom track (15) with aluminum gasket (7) and screws (6).



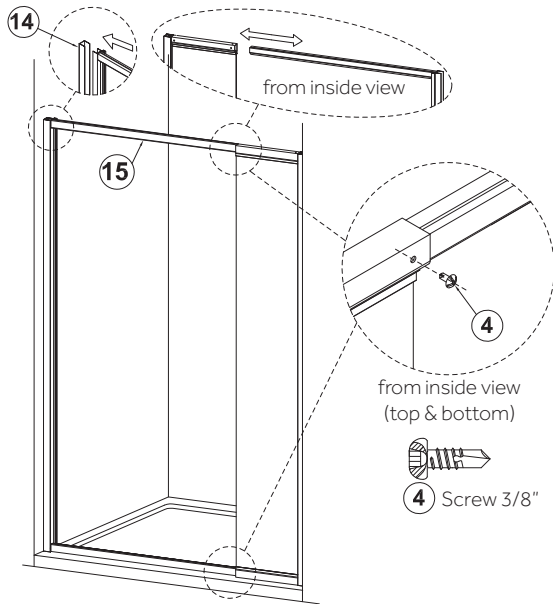
Step 5: Insert frame ends into the top and bottom opening of fixed panel (16) and slide until entire assembly is roughly 4" narrower than overall opening width.



OSBORNE SHOWER DOOR INSTALLATION

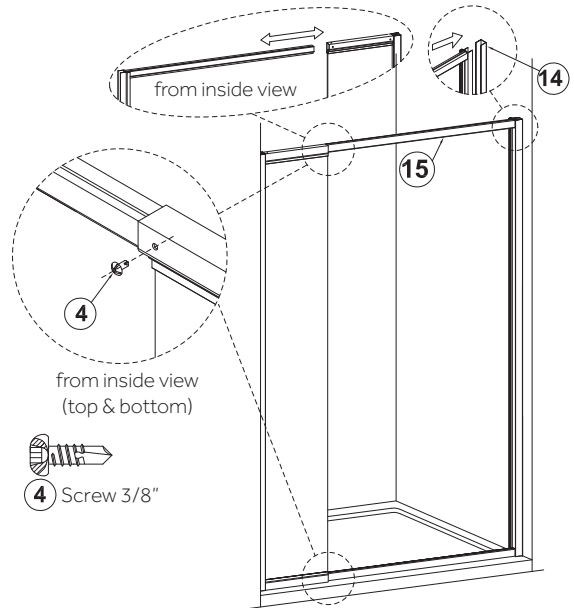
RIGHT PIVOT ASSEMBLY

Step 6: Lift entire frame assembly into opening and push ends outward to engage wall jambs. Use 3/8" screw (4) on top and bottom of frame to lock in place.

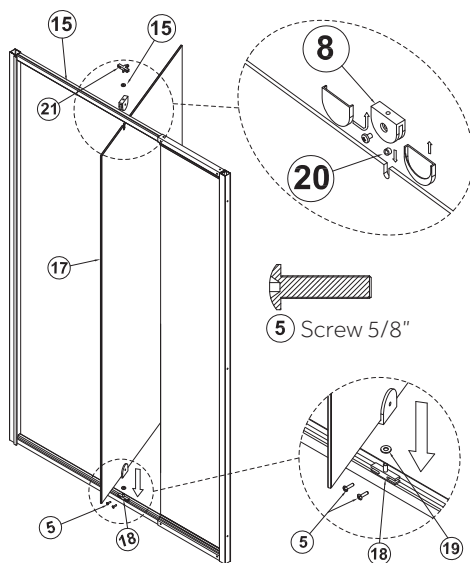


LEFT PIVOT ASSEMBLY

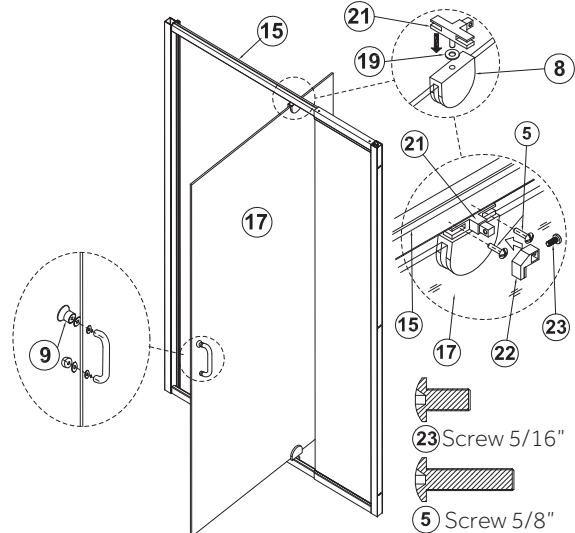
Step 6: Lift entire frame assembly into opening and push ends outward to engage wall jambs. Use 3/8" screw (4) on top and bottom of frame to lock in place.



Step 7: Insert pivots (8) over the glass and screw together. Set pivot washer (19) over pivot pin on top of pivot block. Carefully lower door panel (17) onto pivot block (18) inserting pivot pin into corresponding hole in pivot. Slide decorative covers over both faces of pivots.



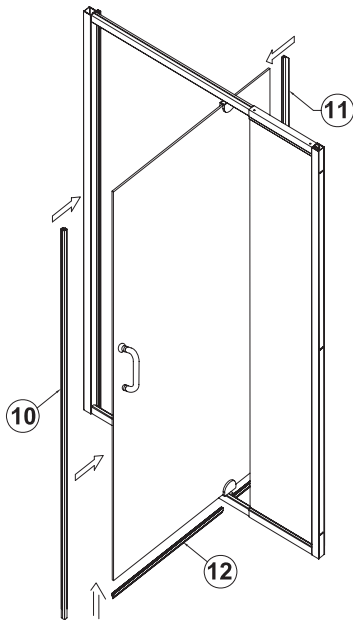
Step 8: Tilt door panel (17) slightly into the shower. Set pivot washer (19) over pivot block (18) pin and insert pin into top of pivot (8). Tilt door panel back up and attach pivot block (21) to top frame (15) with two 5/8" screws (5). Adjust any gaps by sliding top and bottom pivot blocks and re-tightening mounting screws. Fix the stopper (22) to pivot block (21) with one 5/16" screw (23). Install handle and knob.



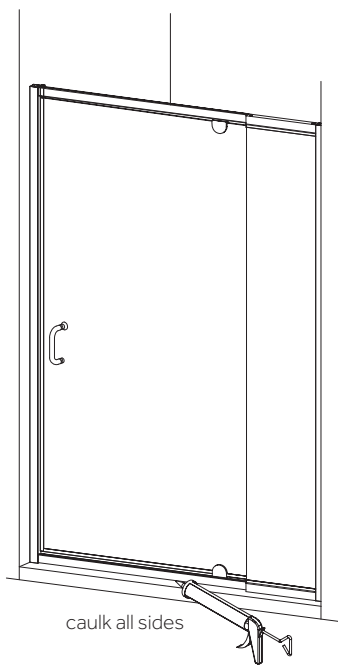
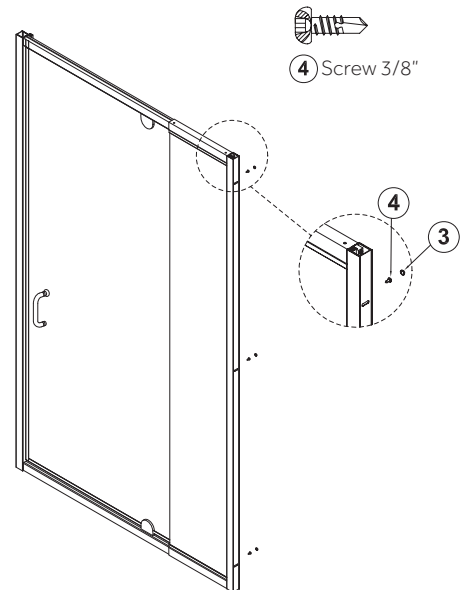


OSBORNE SHOWER DOOR INSTALLATION

Step 9: Attach magnetic door plastic (10) to outside of glass door panel (17). Next, attach pivot side splash guard (11) to opposite end of glass and sweep (12) on the bottom.



Step 10: Make adjustments to fit opening. Add 3/8" screws (4) into the frame and use the screw caps (3) to conceal the screws.



Step 11: Caulk the inside sides of the shower door frame to seal, using a neutral cure silicone sealant. **Keep the entire area dry for a minimum of 24 hours once applied.**