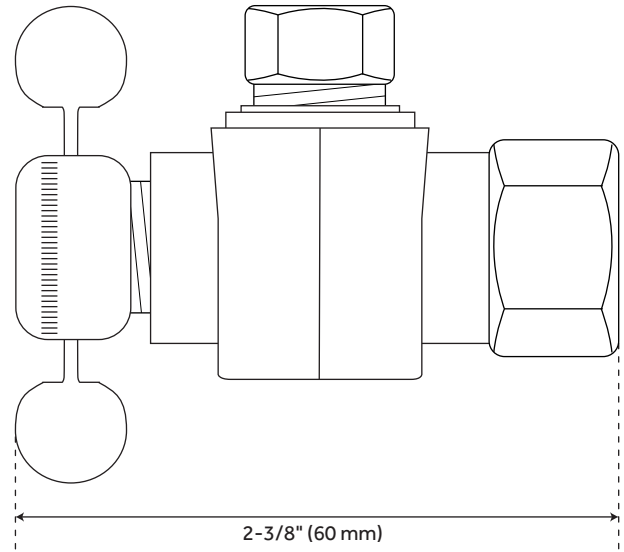
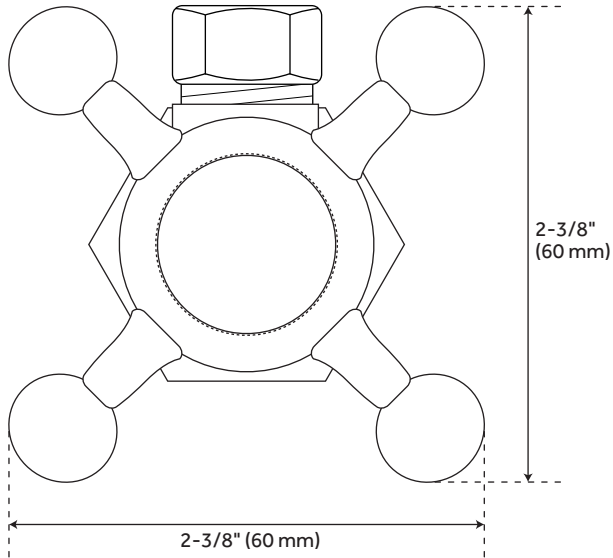


CROSS

HANDLE ANGLE STOP - 1/2" IPS X 3/8" OD COMPRESSION

SKU: 941826



FEATURES

Material: Brass
Handle Type: Cross
Length: 2-3/8"
Width: 2-3/8"
Height: 2-3/8"
IPS: 1/2"

CODES/STANDARDS

cUPC
ASME A112.18.1/CSA B125.1
NSF/ANSI 61
NSF/ANSI 372
Massachusetts Accepted

SIGNATURE HARDWARE LIFETIME WARRANTY

See website for warranty information



All dimensions and specifications are nominal and may vary. Use actual products for accuracy in critical situations.

REVISED 09/17/2019
CODE: SH202BN/SH202CP
SH202ORB/SH202PB/SH202PN