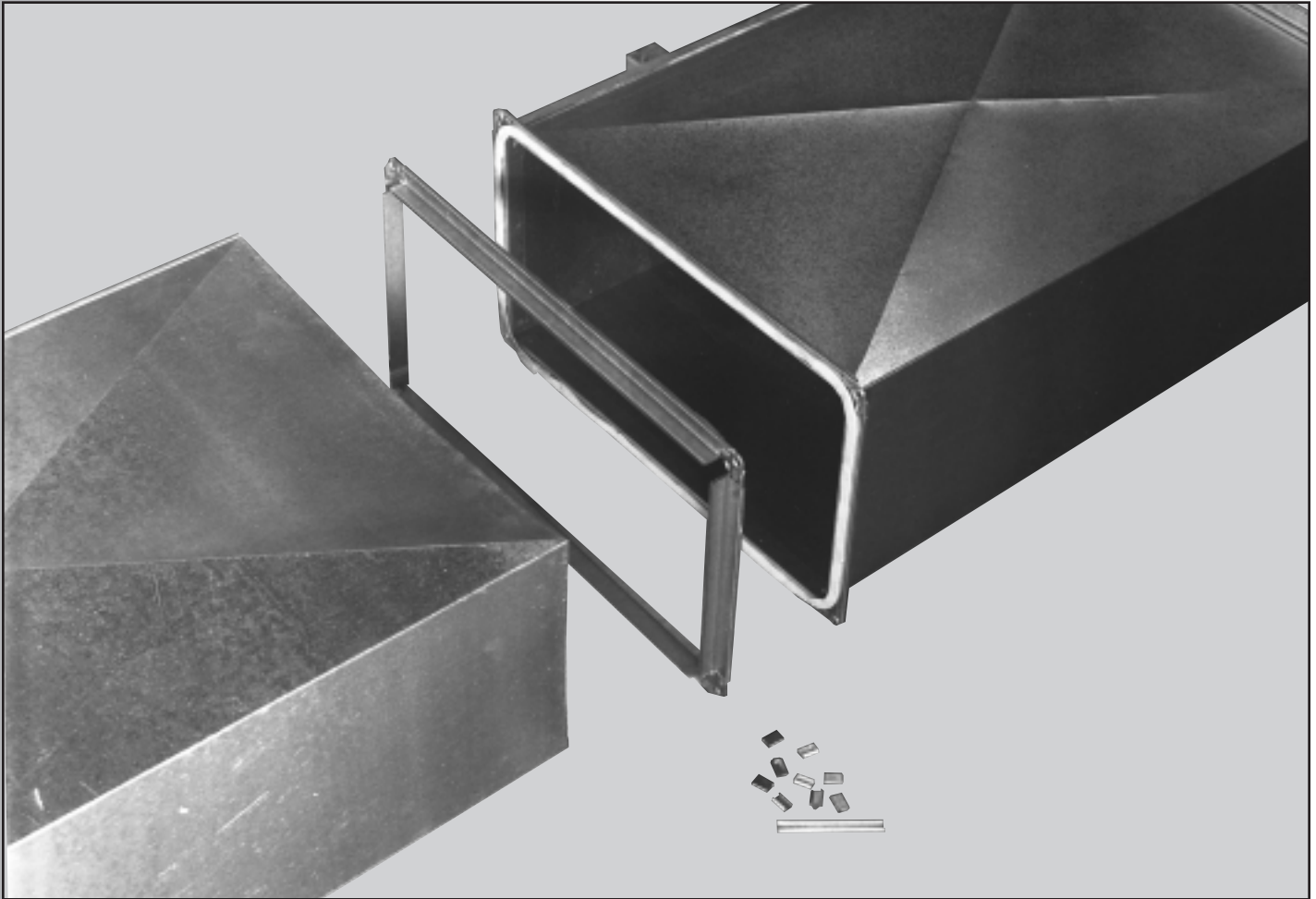


D U C T M A T E

'25'/'35'/'45'



RECTANGULAR
CONNECTION SYSTEMS



Rectangular Duct Connection System

Strong and Virtually Leak-Free

- Simple to install
- Available in specialty metals
- No additional sealing required
- Consistent connections



DUCTMATE[®]

Industries, Inc.

Visit our on-line information center at www.ductmate.com

'25'/'35'/'45'

Rectangular Duct Connection System

DESCRIPTION

Ductmate 25/35/45 connection systems consist of roll-formed flanges, corner pieces, gasket and cleat. The flanges attach to the duct wall and have an integral mastic which allows the flange to seal itself to the duct. Corner pieces are used to add rigidity to the flange; hold the ductwork together and provide a sealing surface for the gasket. The gasket serves as a seal between the flanges. The cleat insures even compression of the gasket along the length of the flange.

BASIC USE

Ductmate 25/35/45 are used to connect rectangular ducts when a rigid, leak-free connection is required.

SPECIAL CHARACTERISTICS

Patented downset in corner insures proper sealing (*excludes Ductmate '45'*)

Patented corner clips ease installation (*excludes Ductmate '45'*)

Sealing materials meet NFPA 90A & B Class 1 requirements

The Ductmate '45' system is not recommended for applications with duct gauges heavier than 10 or lighter than 22.

The Ductmate '35' system is not recommended for applications with duct gauges heavier than 16 GA, or lighter than 26 GA.

The Ductmate '25' is not recommended for applications with duct gauges heavier than 20 GA or lighter than 26 GA.

TECHNICAL INFORMATION

Ductmate '45' was tested in accordance with SMACNA testing procedures. No external sealant was employed and the test results reveal: the Ductmate '45' system is comparable to a SMACNA Class K transverse joint; the Ductmate '35' system is comparable to the SMACNA Class "J" transverse joint and the Ductmate '25' system is comparable to the SMACNA Class "F" joint. Ductmate '35' in stainless steel exhibits the same performance as galvanized. Aluminum DM35 is comparable to a SMACNA H connection. DM25 is not available in aluminum or stainless. DC35 corner pieces must be used with aluminum. Aluminized or PVC cleats are used with aluminum flanges. Cleat is not available in aluminum. Do not notch the corners when fabricating ductwork for the Ductmate System.

PACKAGING INFORMATION

The Ductmate Systems consist of the following components:

- Ductmate '45' flange is roll-formed from 18 GA galvanized steel, with an integral sealant.
- Ductmate '35' flange is roll-formed from 20 GA galvanized steel, with an integral sealant.
- Ductmate '25' flange is roll-formed from 24 GA galvanized steel, with an integral sealant.
- Ductmate '45' electroplated, bolt corner pieces insert into the hollow web of the '45' angle.
- Ductmate DCIII A, DCIII B or DC35 corner pieces insert into the hollow web of the '35' Angle.
- Ductmate DC25 clip or DC25 bolt corner pieces insert into the hollow web of the '25' Angle.
- Ductmate '45' metal cleat is roll-formed from 22 GA galvanized steel.
- Metal cleat is roll-formed from 20 GA galvanized steel.
(PVC Cleat is available upon request).
- Gasket is extruded butyl for use between mating flanges.
(Neoprene gasket is available upon request).
- Corner clips are 16 GA galvanized steel. (Use of nuts and bolts optional: 3/8" x 1" for DCIII B, 5/16" x 1" for Ductmate DC25 corners).

PRODUCT GUARANTEE

All component parts of the Ductmate Systems are guaranteed against defective material.

CLEAT

PVC CLEAT:

Polyvinyl chloride (PVC) is an organic polymer derived from petroleum and salt.

PERFORMANCE PROPERTIES:

Relative high ignition resistance flash ignition 391°/735°F
self ignition 454°C/850°F

Low fuel contribution
Lack of flaming drips
High external heat necessary to maintain combustion

UL94-Passes
UL723 (ASTM E-84) Test Data: Flame Spread:10
Fuel Contribution: 0
Smoke Density: 10
+32°F to +150°F

Service Temp:

PVC Cleat is used around perimeter of transverse joint. Not recommended for roof top applications.

METAL CLEAT:

DM Metal Cleat is roll-formed of 20 GA galvanized steel for application around perimeter of transverse joint.

INSTALLATION INSTRUCTIONS

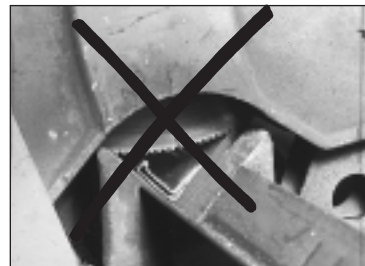
Do not notch the corners when fabricating ductwork for the Ductmate System.

**Marks deviations from the original instructions when installing Ductmate "45".*

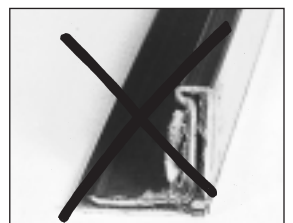
CUTTING DUCTMATE ANGLE



- Always cut Ductmate angle 1 1/4" — 1 3/8" shorter than duct dimension. Slam the blade through the Angle as quickly as possible. Saw must have sufficient horsepower. Always use a metal friction saw blade. A band saw or hack saw can be substituted.



- Never cut Ductmate angle with legs up as chips may fall into the mastic.

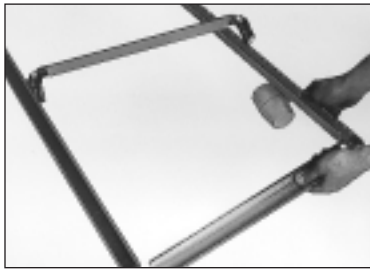


Never use an abrasive blade to cut Ductmate angle as the heat can melt out the mastic.

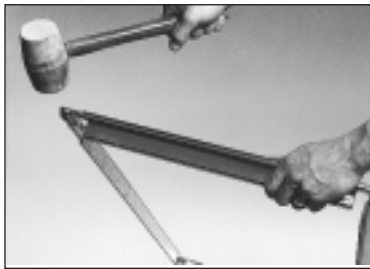
ASSEMBLING DUCTMATE FRAME



3. Insert a Ductmate corner piece into each end of the two shortest frame angle pieces.



4. Slide two longer angle pieces onto corner pieces already inserted into shorter pieces, then add the second short piece to complete the frame.



5. Now complete the frame by seating the corner pieces into the Ductmate angle.

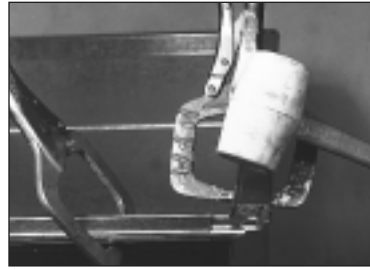


6. Start completed Ductmate frame at corner of duct.

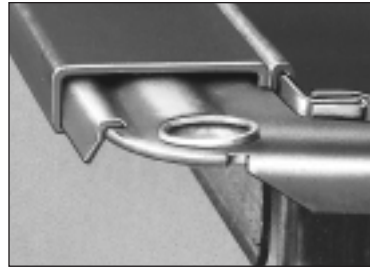


7. If the duct corner or the Pittsburgh lock gets caught under the Ductmate corner, tap the frame outwards to allow the duct corner to slide past the Ductmate corner piece. **THIS IS VERY IMPORTANT!**

SEATING DUCTMATE FRAME



8. Use a mallet to seat the frame onto the duct. *Establish metal to metal contact along length of the angle.*



9. The duct must be seated all the way into the Ductmate angle in order to penetrate the integral mastic sealant and avoid leakage. The corner of the duct **MUST** protrude beyond the Ductmate corner piece.



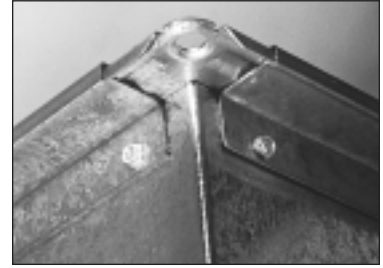
10. Work in one direction around duct when seating the frame. Fasten in sequence as you go. Do not fasten angle at corners first, it can cause seating problems.



11. It is essential that the frame angle is fastened to the duct within $\frac{3}{4}$ " of the end of the angle at each corner.

When the table in 12 requires a second screw at each corner it must be placed within 2"-3" of the end of the Ductmate angle.

FASTENING DUCTMATE FRAME TO DUCT



12. Ductmate angle may be fastened to the duct with self drilling screws or spotwelds.

Spot welding with the "Ductmater" is recommended for a consistently superior, no holes, attachment.

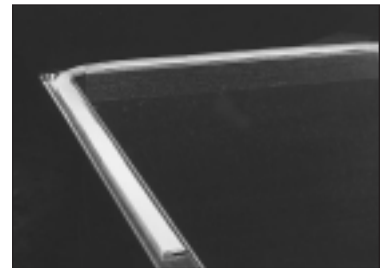
Due to their superior strength, spotwelds may be substituted for screws in the table below. Table also shows minimum fastening requirements. Job conditions (handling, etc.) may require additional fastening.

Fasten at intervals as in table below:

SCREW SPACING SCHEDULE

DUCT WALL SIZE	0-4" W.G.	6" W.G.
0-24"	1 screw each corner	1 screw each corner
25"-48"	1 screw each corner plus 1 @ center	2 screws each corner plus 1 @ center
49" and over	1 screw each corner plus 1 screw each 24"	2 screws each corner plus 1 screw each 24"

APPLYING DUCTMATE 440 GASKET TAPE



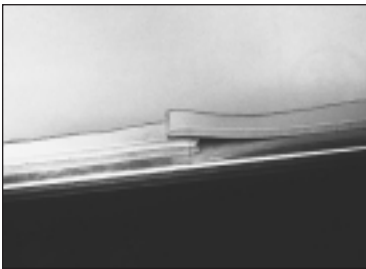
13. Start applying Ductmate 440 Gasket Tape about halfway between duct corners. Position gasket in center of Ductmate angle as in photo.



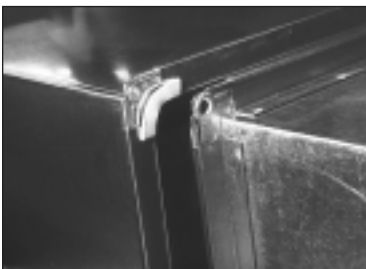
*13A. Start applying Ductmate 440 1" x 3/16" Gasket Tape about halfway between duct corners. Position gasket to the inside edge of the Ductmate angle as in photo.



14. Position 440 Gasket in an arc so that it covers the three points in the duct corner. *Gasket must cover all three points.* Some gasket will protrude into the airstream. Press gasket firmly into contact with the raw edge of the duct corner and Ductmate corner assembly. Ductmate 440 is the preferred gasket. Refer to procedures on the back of the brochure for applications using Ductmate Neoprene Gasket.



15. Apply 440 gasket completely around Ductmate frame to the beginning point. Where gasket meets overlay about 3/8".



16. On the mating Ductmate frame apply 440 gasket only to the corners as in photo (approximately 3" per corner). The same 3 point application requirements apply as in photo 14.

Note: An optional 3" x 2" corner patch can be used for corners to help eliminate inconsistent or reoccurring gasketing problems. (Is Not Mandatory)



17. Carefully align mating frames before they touch. Ductmate 440 adheres on contact. A drift pin can be used to correct any misalignment.



18. Compress gasket at corners with vice-grip while snapping in corner clips.

NOTE: Ductmate alignment grips (shown) can be used to simplify assembly.

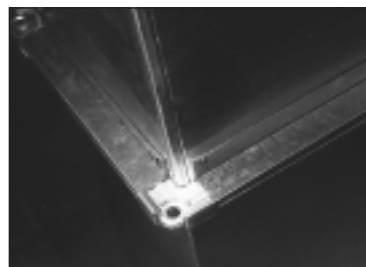
COMPLETING THE CONNECTION



19. Slide corner clips onto joined corner pieces. Tap with hammer until rear tab clicks into notch on corner pieces and locks in for a permanent connection.



*19A. Insert a 1/2" nut and bolt into each corner and tighten.



20. Repeat the process at each corner of duct for a quick, strong, good-looking, permanent, no-leak connection of uniform quality every time.

CLEAT INSTALLATION



21. Ductmate 25/35 cleat can be snapped-on with the Cleater 1 Tool or with the Cleater II where space is restricted.

Ductmate 45' requires the Versa Cleater Tool for installation of the larger Ductmate 45 Snap-On cleat.

Insert cleat into tool, hook onto mated frames near corner (do not attempt to apply onto corner clips), apply pressure to handle so cleater tool compresses frames and cleat snaps on. Work toward center of duct using the schedule shown below.

For weather-proof duct connection, install a full-length, one-piece cleat to top duct flange joint to prevent water from collecting on gasket.

If a corner cannot be clipped or bolted due to inaccessibility, cleat can be driven onto the mating flanges to complete the Ductmate connection.

WITH DM440 GASKET

For all low, medium and high pressure applications, use 6" cleat, 24" O.C.

WITH NEOPRENE GASKET

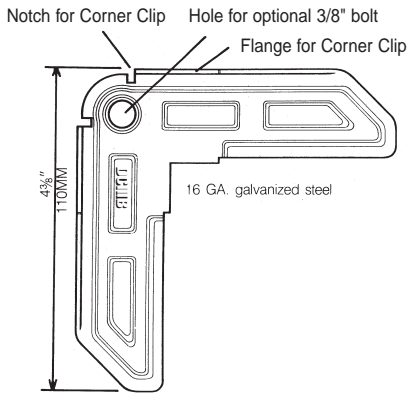
For 1/2"-2" WG/SP use 6" cleat, 24" O.C.

For 3"-4" WG/SP use 6" cleat, 18" O.C.

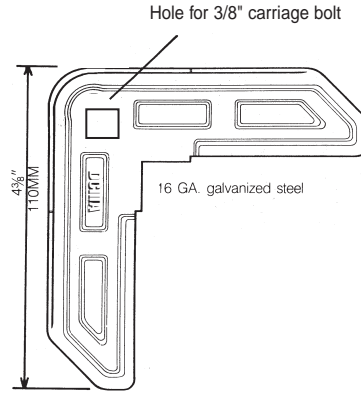
For 6"-10" WG/SP use 6" cleat, 12" O.C.

DUCTMATE '25'/'35'/'45' COMPONENTS

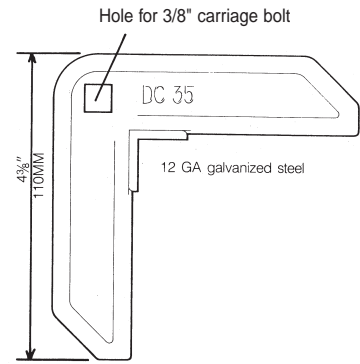
DCIIB CORNER PIECE



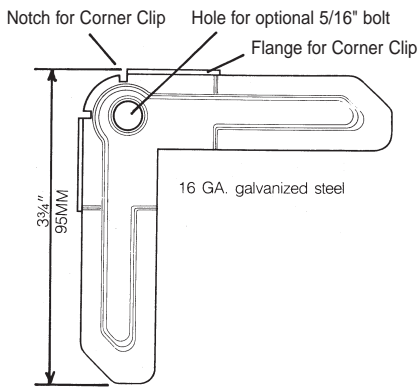
DCIIA CORNER PIECE



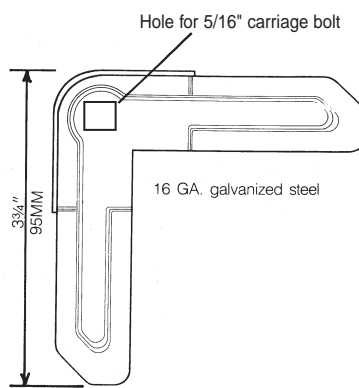
DC35 CORNER PIECE



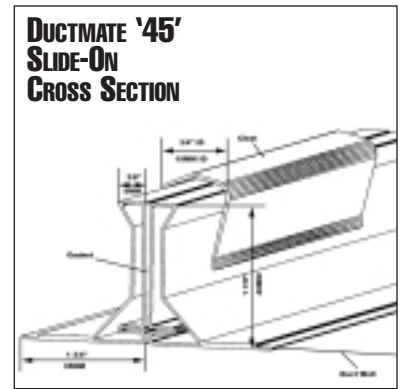
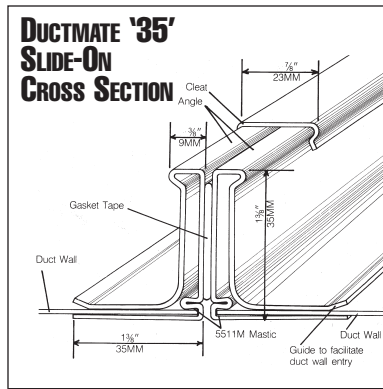
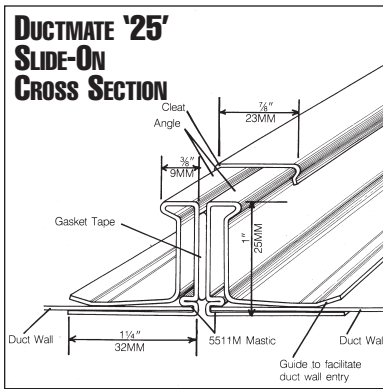
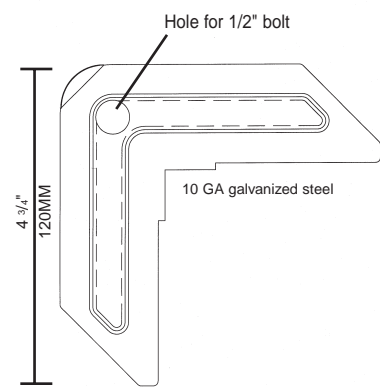
DC25 CORNER PIECE



BOLTED DC25 CORNER PIECE

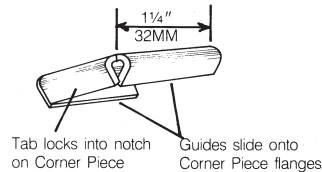


DC45 CORNER PIECE

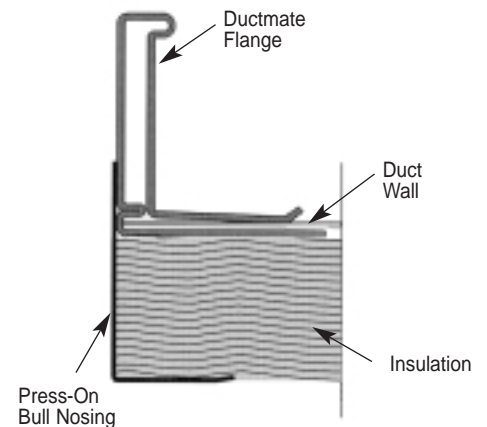


CORNER CLIP

For DCIIB & DJRGA Boltless Corner Application



PRESS-ON BULL NOSING

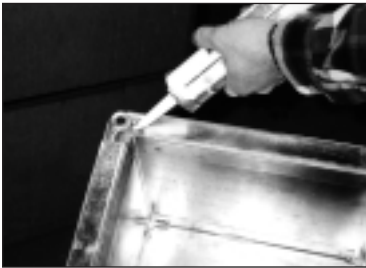


Frequently a contractor installing a high velocity duct system will employ a duct joint with which either he or his work force have no experience. In such a case, it is strongly recommended that the contractor promptly test the initial 100 to 300 feet of duct before installing any more duct. This test will quickly reveal whether or not the workmen can make this joint air-tight in an economical manner.

Reprinted from SMACNA High Pressure Manual.

Cut this page 5/8" short so not to interfere with the hole punching.

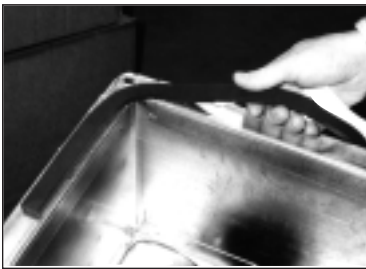
DUCTMATE SYSTEM FOR REMOVABLE DUCTWORK AND FIRE DAMPER BREAKAWAY OR NEOPRENE INSTALLATIONS



1. Cut, assemble and attach Ductmate frames to ductwork according to the normal procedures listed in steps 1 - 12 of the assembly instructions.



2. Wipe off the face of the Ductmate flanges and corners with a dry cloth where gasketing and sealant will be applied



3. Apply Ductmate PROseal water based sealant to all eight corners of the connection as shown. Be sure to cover the gaps between the corner and ductwall. Allow sealant to dry prior to application of the gasket.



IMPORTANT: Gasket must cover these 3 points.



4. Apply the Ductmate Neoprene gasket around the perimeter of one duct section of the connection. Start gasketing half way between corners, favoring the outside edge of the Ductmate flange. Apply gasketing in an arc at all four corners, making sure to cover the key points shown. Butt the end of the gasket tight against the starting point.

*4a. Applications using Ductmate 45 must use a 1 1/4" wide neoprene gasket which should be applied favoring the inside edge of the Ductmate flange.



5. **For removable duct:** Align duct sections to be connected. Bolt duct sections together at all four corners using 1" x 3/8" bolts for the Ductmate 35 system and 1" x 5/16" bolts for the Ductmate 25 Systems. Do not use the Ductmate "no bolt clips" for removable duct applications.



6. **a. For removable duct:** Apply 6" metal or PVC cleat according to the following schedule.

- For 1 1/2" WG/SP use 6" cleat, 24" O.C.
- For 3" - 4" WG/SP use 6" cleat, 18" O.C.
- For 6" - 10" WG/SP use 6" cleat, 12" O.C.

b. For breakaway duct: Apply 6" PVC cleat starting at the corner. Use a minimum of one cleat on each side of the duct. When size permits, a cleat should be attached at each end of the flanges then 12" O.C. **Do not** apply bolts or "no bolt corner clips



CLEATER
Ideal tool to attach cleat to Ductmate 25/35 flange joint where space is not a consideration. Use Cleater II in conjunction with 5/8" deep-wall socket, extensions and wrench (not included) to attach cleat to Ductmate 25/35 in hard to reach places. The Versa Cleater is an ideal tool to attach Ductmate '45' cleat to Ductmate Flange joint where space is not a consideration



CORNER ALIGNMENT TOOL
Modified vice grip can facilitate installation of corner clips.



E. MONONGAHELA, PA
1502 Industrial Drive
E. Monongahela, PA 15063-9709
800-245-3188
724-258-0500
FAX: 724-258-5494

LODI, CA
810 S. Cluff Avenue
Lodi, CA 95240-3141
800-344-3270
209-333-4680
FAX: 209-333-4678

Ductmate is a proud member of the following organizations:



Distributed By: