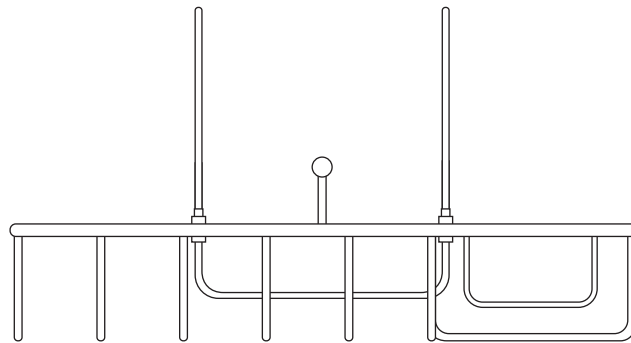
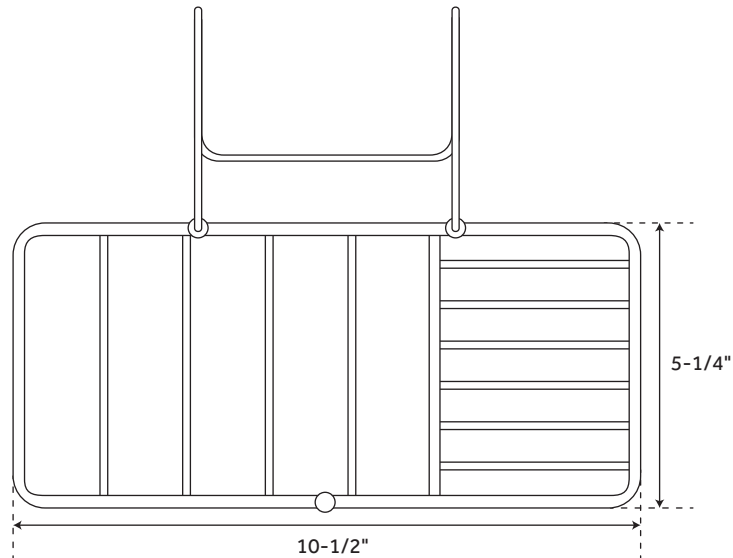


SOAP BASKET

WITH SPONGE HOLDER

SKU: 900605



FEATURES

Design: Traditional
Material: Brass
Length: 10-1/2"
Width: 5-1/4"
Assembly Required: No

SIGNATURE HARDWARE LIFETIME WARRANTY

See website for warranty information



All measurements are approximate. Measurements may vary +/- 1/2".

REVISED 08/07/2019