



CEELEY TEMPERED GLASS SHELF

BEFORE INSTALLING

Read the installation instructions below. Observe all local building and safety codes.

INSTRUCTIONS

Unpack and inspect the product for any shipping damages and ensure that none of the required pieces are missing. If you find damages, do not install. Contact Customer Service at 1.855.715.1800. If you need assistance or have questions while installing your glass shelf, contact Customer Service.

We recommend consulting a professional if you are unfamiliar with installing bathroom fixtures. Signature Hardware accepts no liability for any damage to the shelf or wall, or for personal injury during installation.

TOOLS AND MATERIALS:



Safety Glasses



Pencil



Screwdriver



Drill



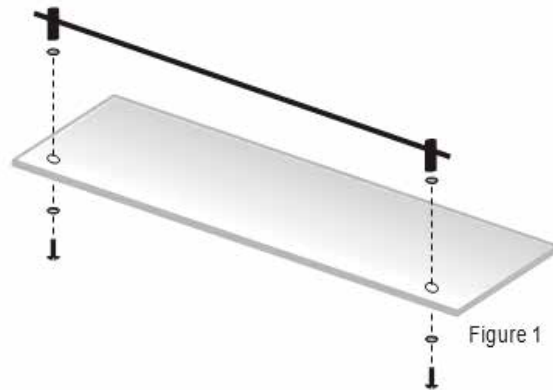
Level



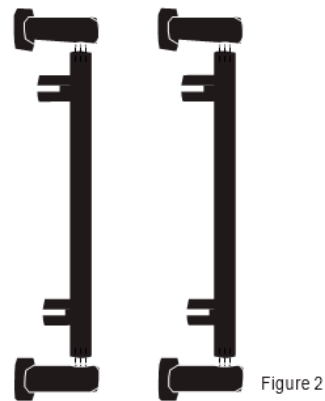
Tape Measure

INSTALLATION

1. Hold one of your glass shelves up to the wall to determine where you would like to place the top shelf. Using a level and pencil, draw a light line on the wall the length of the top shelf.
2. On the support rail, measure the distance between the two notches that will hold the top and bottom glass shelves. Lightly draw a horizontal line on the wall at that distance below the first line to indicate the position of the bottom shelf.
3. Attach the rail to the glass shelf using supplied screws and washers. (Figure 1)



4. Insert the support rails into top and bottom escutcheons. (Figure 2)





CEELEY TEMPERED GLASS SHELF

5. To mark the escutcheon placement, measure the distance from the closed end of the support rail notch to the center of the neighboring escutcheon. Mark the wall accordingly for each escutcheon.

6. Hold the mounting brackets up to the wall directly on top of the escutcheon guidelines created in the previous step. Use the screw holes in the mounting brackets to mark your drilling location.

7. Use a drill bit that corresponds to the size of the included screws to drill your mounting holes.

8. Use the supplied screws to affix the mounting brackets to the walls. Place the assembled support rail and escutcheon onto the installed mounting brackets and secure the set screws with supplied Allen wrench. (Figure 3)

9. Insert the glass shelves and tighten the set screws to secure. (Figure 4)

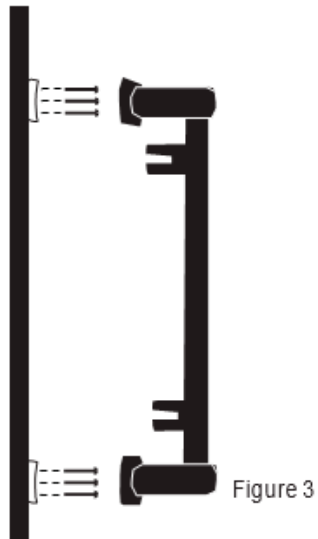


Figure 3