

FEATURES

- + Ships with MERV 16 Allergy & Asthma filter
- + Accepts Aprilaire Clean Air MERV 11, Healthy Home MERV 13 or Odor Reduction MERV 13 filter
- + Lowest resistance for MERV 16 filter on the market—12" w.c. @1200 CFM*
- + Minimal maintenance required — simply replace filter every six months
- + Made of corrosion-resistant heavy-gauge painted steel
- + Proprietary door design and Self-Seal™ technology virtually eliminates air bypass, delivering MERV performance as rated
- + UL listed cabinets
- + UL classified MERV 16 filters
- + Load rated up to 400 lbs.
- + 5-year warranty on cabinet from date of installation

* Model 516 filter

BENEFITS

- + Removes 99% of allergy and asthma triggers from indoor air
- + Offers equipment protection from dust buildup
- + Assured equipment performance
- + Superior performance over one-inch panel filters and four-inch cartridge filters



PRODUCT SPECIFICATIONS

		MERV 16						
	Nominal Size (In Inches)	Shipping Weight	Replacement Media	Resistance @ Airflow Volume (Inches w.c. @ CFM)	Shipping Weight (full carton)	Carton Quantity	Filtering Media Area	
Ships With	Model 2216	20 x 25	20 lbs.	Model 216	.06"@400 .17"@1000 .09"@600 .23"@1200 .13"@800 .29"@1400 .36"@1600	25.82 lbs.	6	47.8 sq. ft.
	Model 2416	16 x 25	19.25 lbs.	Model 416	.07"@400 .21"@1000 .11"@600 .28"@1200 .15"@800 .36"@1400	24.2 lbs.	6	42.3 sq. ft.
	Model 2516	31 x 28	24.9 lbs.	Model 516	.04"@400 .17"@1600 .05"@600 .21"@1800 .07"@800 .24"@2000 .10"@1000 .28"@2200 .12"@1200 .32"@2400 .15"@1400 .36"@2600	25.1 lbs.	4	75.6 sq. ft.

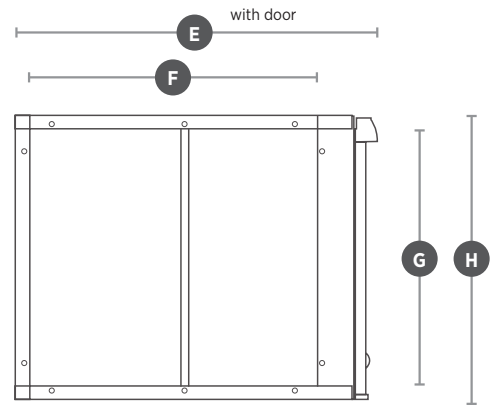
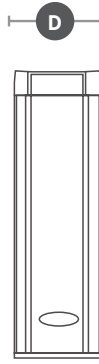
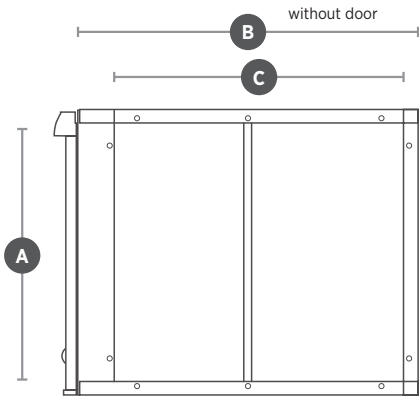
REMOVAL EFFICIENCY (Based on Particle Size)

	0.3-1.0 Microns	1.0-3.0 Microns	3.0-10 Microns
MERV 16	95%	98%	99%

Inlet Side Return Duct Connection

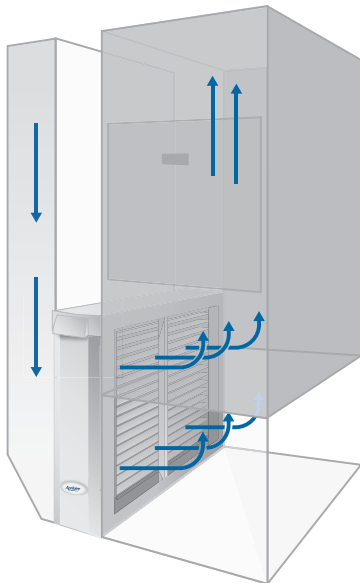
Front

Outlet Side Furnace Connection



Dim.	Description	Model		
		2216	2416	2516
A	Inlet Opening Height	19 3/4" (502mm)	15 7/16" (392mm)	28 23/32" (730mm)
B	Outer Housing Depth without Door	25 3/8" (645mm)	28 1/16" (713mm)	28 1/16" (712mm)
C	Inlet Opening Width	21 3/16" (538mm)	23 7/8" (606mm)	23 7/8" (607mm)
D	Unit Width	6 3/4" (171mm)	6 3/4" (171mm)	6 3/4" (171mm)
E	Outer Housing Depth with Door	27 3/8" (695mm)	30 1/16" (763mm)	30 1/16" (763mm)
F	Outlet Opening Width	21 3/16" (538mm)	23 7/8" (606mm)	23 7/8" (606mm)
G	Outlet Opening Height	19 3/4" (502mm)	15 7/16" (392mm)	28 23/32" (730mm)
H	Unit Height	22 1/16" (560mm)	17 3/4" (451mm)	31" (788mm)

Typical Basement Installation



Same protection is recommended for all HVAC types. Including downflow, upflow and horizontal configurations.

REPLACEMENT MEDIA

Model	Aprilaire Part No.	MERV
Model 2216	Aprilaire Part No. 216	MERV 16
Model 2416	Aprilaire Part No. 416	MERV 16
Model 2516	Aprilaire Part No. 516	MERV 16