

## INSTRUCTIONS FOR MODELS


### VS-3000 -E2 -E175 -E15



#### NEED HELP?

For additional assistance or service please contact:

**SPEAKMAN®** Company  
400 Anchor Mill Road  
New Castle, DE 19720

 800-537-2107

 customerservice@speakman.com

 www.speakman.com

92-VS-3000-03



## IMPORTANT



Be sure to read instructions thoroughly before beginning installation. Do not overtighten any connections or damage may occur. This hand shower has an optimal operating range of 20-80 psi.

#### SAFETY TIPS

Cover your drain to prevent loss of parts.

#### MAINTENANCE

Periodic cleaning using a mild soap and warm water will help keep your Hand Shower's appearance in its original condition.

For best results, dry immediately with a soft, clean cloth. **DO NOT USE** harsh and/or abrasive cleaners.

On **CHROME PLATED HAND SHOWERS**, a two (2) part white vinegar, one (1) part water solution can be used to break down excessive mineral deposits on the sprays. Let the hand shower soak in the solution for about ½ hour then rinse thoroughly. Brush off any remaining mineral deposits if necessary.

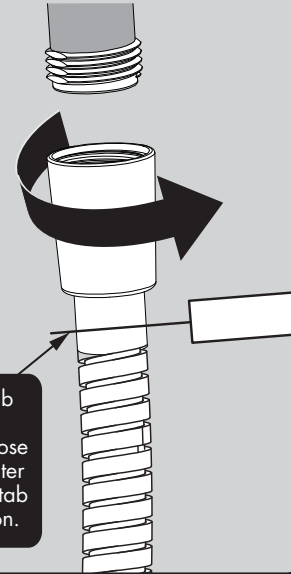
**DO NOT USE** the vinegar/water treatment on any finish other than Chrome.

#### WARRANTY

Additional warranty information can be found at:  
[www.speakman.com](http://www.speakman.com)

1

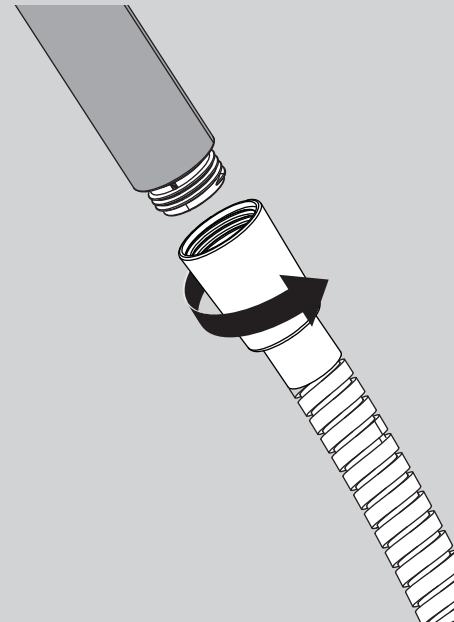
Connect the tagged side of the hose to the water supply. Hand tighten. **WATER WILL NOT FLOW THROUGH THE HOSE IF THE WRONG END IS CONNECTED.**



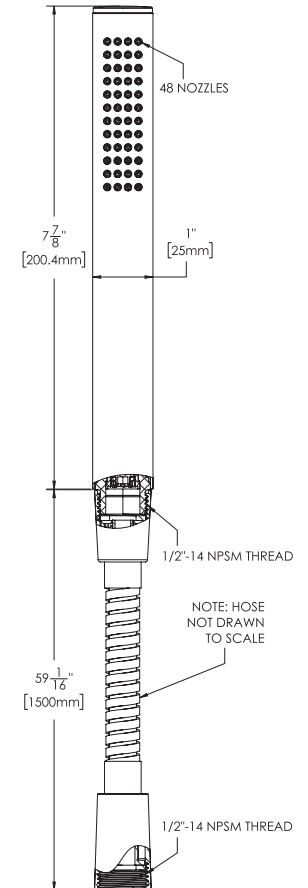
**NOTE:** Paper tab inserted to show this end of the hose assembles to water supply. Remove tab before installation.

2

Connect remaining end of Hose to inlet of Hand Shower. Hand tighten.



## ROUGH IN DIMENSIONS



#### VS-3000

Max. Flow Rate: 2.5 gpm (9.5L/min)

Min. Flow Rate: 2.0 gpm (7.6 L/min) @ 45psi

FOR USE WITH AUTOMATIC COMPENSATING VALVES RATED AT 7.6 L/MIN (2.0 GPM) OR LESS.

#### VS-3000-E2

Max. Flow Rate: 2.0 gpm (7.6 L/min)

Min. Flow Rate: 1.5 gpm (5.7 L/min) @ 45psi

FOR USE WITH AUTOMATIC COMPENSATING VALVES RATED AT 6.6 L/MIN (1.75 GPM) OR LESS.

#### VS-3000-E175

Max. Flow Rate: 1.75 gpm (6.6 L/min)

Min. Flow Rate: 1.3 gpm (4.9 L/min) @ 45psi

FOR USE WITH AUTOMATIC COMPENSATING VALVES RATED AT 5.7 L/MIN (1.5 GPM) OR LESS.

#### VS-3000-E15

Max. Flow Rate: 1.5 gpm (5.7 L/min)

Min. Flow Rate: 1.0 gpm (3.8 L/min) @ 45psi

FOR USE WITH AUTOMATIC COMPENSATING VALVES RATED AT 4.7 L/MIN (1.25 GPM) OR LESS.