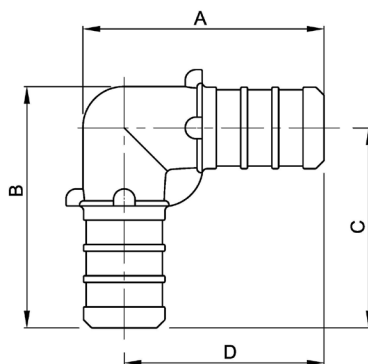


## F2159 POLY PEX 90° ELBOW



- Simple and dependable plumbing connection
- Easy installation
- Leak-proof connections
- Polymer construction
- Manufactured of premium-grade resin with non-mixed blends
- Can be used with brass PEX crimp rings or stainless steel PEX clamps
- Certified to ASTM F2159-2014 and CSA B137.5-2013
- Certified to ASTM F877-2020 and CSA B137.5-2020
- Certified to NSF/ANSI 14-2015, NSF/ANSI 14-2016a, and NSF/ANSI 372-2011
- Certified to NSF/ANSI/CAN 61-2018
- cUPC listed



Part No.	Description	Color	A - in (mm)	B - in (mm)	C - in (mm)	D - in (mm)	Weight-lbs (grams)
C76751	1/2" F2159	Black	1.40 (35.60)	1.40 (35.60)	1.16 (29.50)	1.40 (29.50)	0.01 (4.50)
C76702	1/2" F2159	White	1.40 (35.60)	1.40 (35.60)	1.16 (29.50)	1.40 (29.50)	0.01 (4.50)
C76752	3/4" F2159	Black	1.59 (40.50)	1.59 (40.50)	1.26 (32.00)	1.59 (32.00)	0.02 (10.50)
C76703	3/4" F2159	White	1.59 (40.50)	1.59 (40.50)	1.26 (32.00)	1.59 (32.00)	0.02 (10.50)
C76753	1" F2159	Black	2.00 (50.75)	2.00 (50.75)	1.53 (38.75)	2.00 (38.75)	0.04 (19.10)
C76720	1" F2159	White	2.00 (50.75)	2.00 (50.75)	1.53 (38.75)	2.00 (38.75)	0.04 (19.10)

F2159 Specified Dimensions	ID - in (mm)	OD - in (mm)
1/2" End Connection	.37(9.30)	.47(11.98)
3/4" End Connection	.55(13.85)	.67(16.96)
1" End Connection	.72(18.22)	.86(21.74)