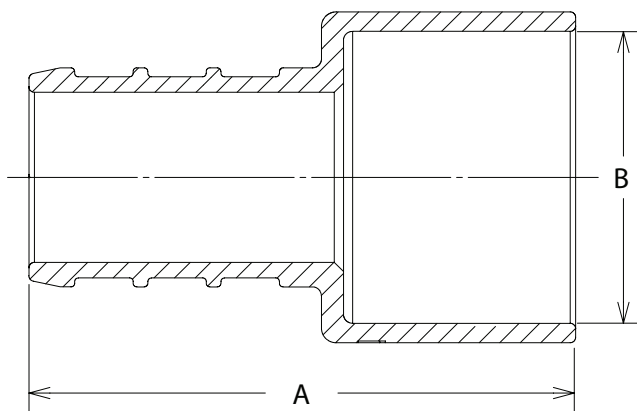


## F1807 BRASS PEX FEMALE SWEAT ADAPTER



- Simple and dependable plumbing connection
- Easy installation
- Leak-proof connections
- Lead-free brass
- Can be used with copper PEX crimp rings or stainless steel PEX clamps
- Certified to IAPMO IGC 319-2016 and CSA B137.5-2020
- Certified to NSF/ANSI 372-2016, NSF/ANSI 61-2017, and NSF/ANSI 14-2016a
- Certified to ASTM F1807-2019b and CSA B137.5-2017
- Certified to NSF/ANSI/CAN 61-2019
- cUPC listed



Part No.	Description	A - in (mm)	B - in (mm)	Weight-lbs (grams)
C76027LF	1/2" F1807	1.18 (29.90)	0.63 (15.98)	0.03 (13.61)
C76029LF	1/2" F1807 x 3/4"	1.39 (35.25)	0.88 (22.33)	0.05 (22.68)
C76028LF	3/4" F1807	1.44 (36.55)	0.88 (22.33)	0.05 (22.68)
C76030LF	1" F1807	9.03 (229.40)	1.19 (30.20)	0.09 (40.82)

F1807 Specified Dimensions	ID - in (mm)	OD - in (mm)
1/2" End Connection	.37(9.30)	.47(11.98)
3/4" End Connection	.55(13.85)	.67(16.96)
1" End Connection	.72(18.22)	.86(21.74)