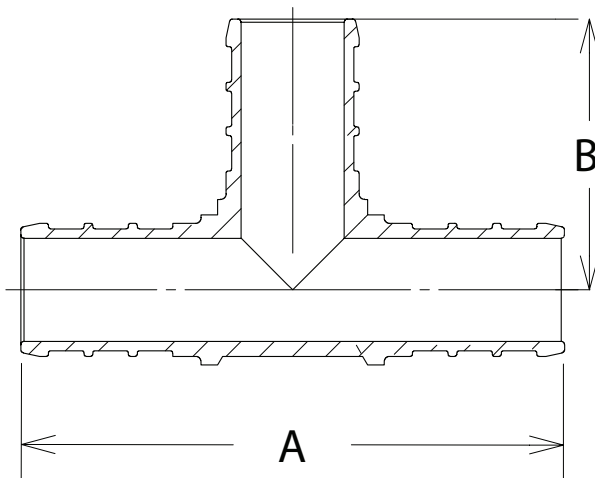


## F1807 BRASS PEX TEE



- Simple and dependable plumbing connection
- Easy installation
- Leak-proof connections
- Lead-free brass
- Can be used with copper PEX crimp rings or stainless steel PEX clamps
- Certified to IAPMO IGC 319-2016 and CSA B137.5-2020
- Certified to NSF/ANSI 372-2016, NSF/ANSI 61-2017, and NSF/ANSI 14-2016a
- Certified to ASTM F1807-2019b and CSA B137.5-2017
- Certified to NSF/ANSI/CAN 61-2019
- cUPC listed



Part No.	Description	A - in (mm)	B - in (mm)	Weight-lbs (grams)
C76014LF	1/2" F1807	1.91 (48.50)	0.95 (24.20)	0.06 (27.22)
C76015LF	3/4" F1807	2.15 (54.50)	1.07 (27.10)	0.10 (45.36)
C76016LF	1" F1807	2.75 (69.78)	1.38 (35.00)	0.17 (77.11)

F1807 Specified Dimensions	ID - in (mm)	OD - in (mm)
1/2" End Connection	.37(9.30)	.47(11.98)
3/4" End Connection	.55(13.85)	.67(16.96)
1" End Connection	.72(18.22)	.86(21.74)