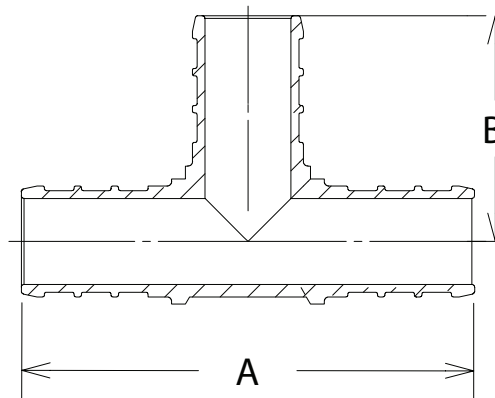


## F1807 BRASS PEX REDUCING TEE



- Simple and dependable plumbing connection
- Easy installation
- Leak-proof connections
- Lead-free brass
- Can be used with copper PEX crimp rings or stainless steel PEX clamps
- Certified to IAPMO IGC 319-2016 and CSA B137.5-2020
- Certified to NSF/ANSI 372-2016, NSF/ANSI 61-2017, and NSF/ANSI 14-2016a
- Certified to ASTM F1807-2019b and CSA B137.5-2017
- Certified to NSF/ANSI/CAN 61-2019
- cUPC listed



Part No.	Description	A - in (mm)	B - in (mm)	Weight-lbs (grams)
C76017LF	1/2" x 1/2" x 3/4" F1807	2.14 (54.23)	0.94 (23.88)	0.06 (27.22)
C76018LF	3/4" x 1/2" x 1/2" F1807	1.89 (48.00)	1.07 (27.10)	0.07 (31.75)
C76019LF	3/4" x 1/2" x 3/4" F1807	2.14 (54.23)	1.07 (27.10)	0.09 (40.82)
C76020LF	3/4" x 3/4" x 1/2" F1807	1.89 (48.00)	1.07 (27.10)	0.08 (36.29)
C76021LF	1" x 3/4" x 3/4" F1807	2.32 (58.83)	1.19 (30.15)	0.15 (68.04)
C76022LF	1" x 1" x 1/2" F1807	2.25 (57.20)	1.20 (30.40)	0.14 (63.50)
C76023LF	1" x 1" x 3/4" F1807	2.50 (63.43)	1.19 (30.22)	0.14 (63.50)

F1807 Specified Dimensions	ID - in (mm)	OD - in (mm)
1/2" End Connection	.37(9.30)	.47(11.98)
3/4" End Connection	.55(13.85)	.67(16.96)
1" End Connection	.72(18.22)	.86(21.74)