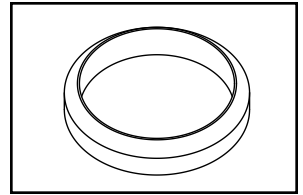
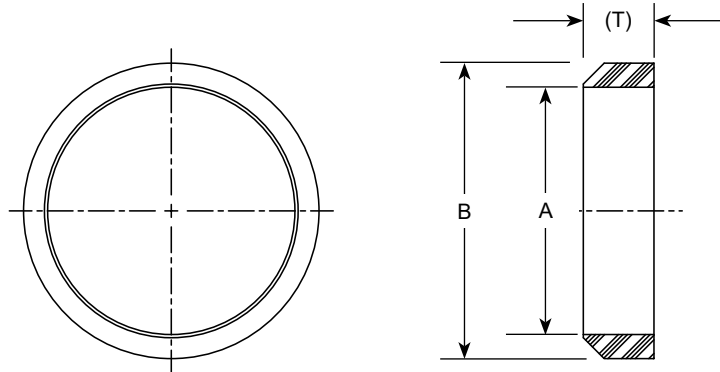


SUBMITTAL INFORMATION

Pack Joint Gasket - (GT-xx style)



RUBBER GASKET FOR 1/2" - 2" PACK JOINT NUTS



PART NUMBER	DIAMETER A	DIAMETER B	THICKNESS (T)	✓ SUBMITTED ITEM(S)
GT-1	41/64"	59/64"	11/32"	
GT-10	1-3/8"	1-3/4"	5/8"	
GT-10-5	1-3/8"	1-29/64"	5/8"	
GT-12	1-1/2"	1-29/32"	7/16"	
GT-13	1-39/64"	1-15/16"	7/16"	
GT-14	1-5/8"	2-9/64"	11/16"	
GT-15	1-43/64"	2-1/8"	7/16"	
GT-1-5	7/8"	1-9/64"	11/32"	
GT-15-5	1-13/16"	2-1/8"	7/16"	
GT-16	1-29/32"	2-3/8"	9/16"	
GT-17	2-9/64"	2-1/2"	43/64"	
GT-18	2-13/32"	2-7/8"	11/16"	
GT-24	49/64"	1-9/64"	11/32"	
GT-25	2-9/64"	3-1/16"	11/16"	
GT-26	2-13/16"	3-5/8"	5/8"	
GT-27	2-23/32"	3-1/16"	11/16"	
GT-28	1-5/8"	2-11/32"	11/16"	
GT-3	1-5/64"	1-3/8"	7/16"	
GT-31	2-13/32"	3-1/32"	7/16"	
GT-39	1-9/32"	1-21/32"	7/16"	
GT-4	1-5/64"	1-15/32"	7/16"	
GT-48	1-43/64"	2-11/32"	7/16"	
GT-49	1-13/16"	2-11/32"	7/16"	
GT-5	1-1/8"	1-3/8"	3/8"	
GT-61	2-41/64"	3-1/16"	11/16"	
GT-7	1-1/8"	1-15/32"	7/16"	
GT-9	1-11/32"	1-3/4"	7/16"	

FEATURES

- EPDM rubber gasket per ASTM D2000
- NSF 61 Compliant

The Ford Meter Box Company considers the information in this submittal form to be correct at the time of publication. Item and option availability, including specifications, are subject to change without notice. Please verify that your product information is current. Our standard warranty applies.



The Ford Meter Box Company, Inc.

P.O. Box 443, Wabash, Indiana U.S.A. 46992-0443

Phone: 260-563-3171 / Fax: 800-826-3487

Overseas Fax: 260-563-0167

www.fordmeterbox.com

02/24/20

Submitted By: