

Seat shall be Comfort™ Seats

**Model Number C002WD**

Consumer Package Model # C5B4E1

**Standard Molded Wood Toilet Seat**

Elongated Closed Front with Cover

**Category**

RESIDENTIAL

**Features**

- Durable Molded Wood
- Multi-coat high gloss enamel paint
- UV paint color protection
- Color matching hinge and bumpers
- Corrosion resistant stainless steel screws
- Corrosion proof nuts and bolts

**Seat Color/Finish**

Specify white or bone

**Hinge Color/Finish**

Specify white or bone

**Product Specifications**

Hinge Design: Plastic hinge with stainless steel screws

Ring Thickness: 5/8"

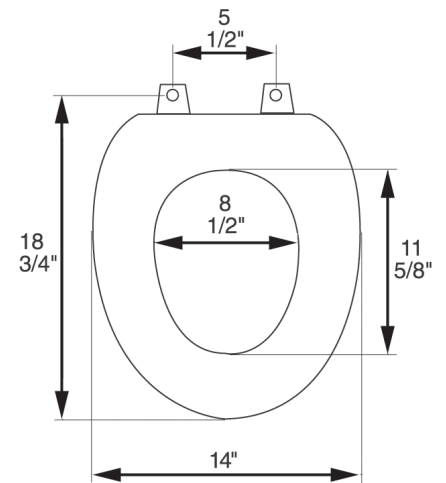
Ring Thickness with Bumper: 1"

Height of Seat with Cover: 2"

Size: ANSI Standard Toilet

**Additional Information**

Comfort™ Seats molded wood utilizes the finest paint to seal and beautify the molded wood core with deep lustrous color and rock hard enamel durability.



Corrosion proof, self-aligning hardware



Factory-installed "living" hinge covers w/stainless steel screws