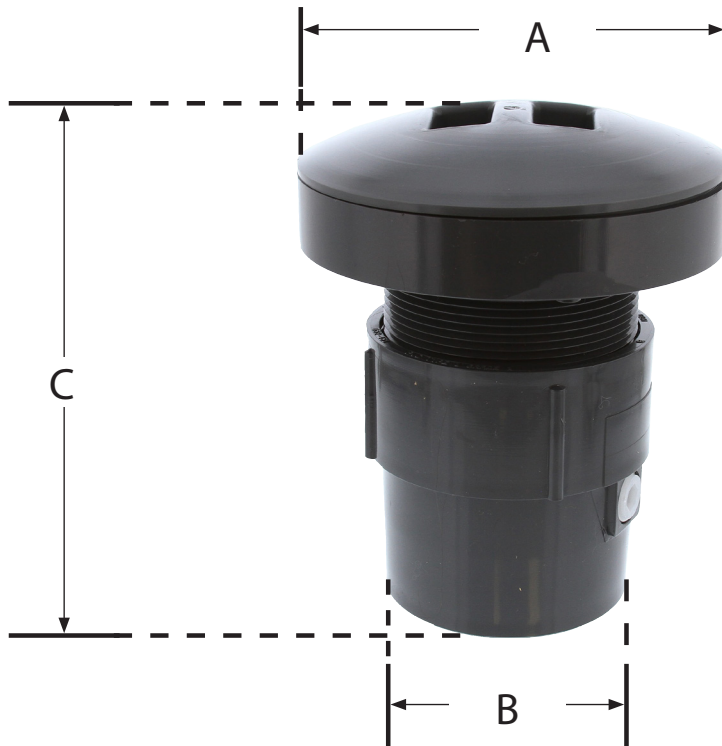


PVC BASE WITH 3-1/2" X 6" LEVELBEST® ADAPTER



- LevelBest® drainage system allows adjustment to floor level both before and after concrete is poured
- Can be used with tile rings
- Industry standard iron pipe size threads compatible with most adapter and drain bodies
- Compatible with most plastic and brass spuds used in the industry



Part No.	Size	A	B	C
D50441	3.00" x 4.00"	6.45"	3.99"	6.63" - 7.89"
D50442	4.00"	6.45"	5.03"	7.97" - 9.09"