

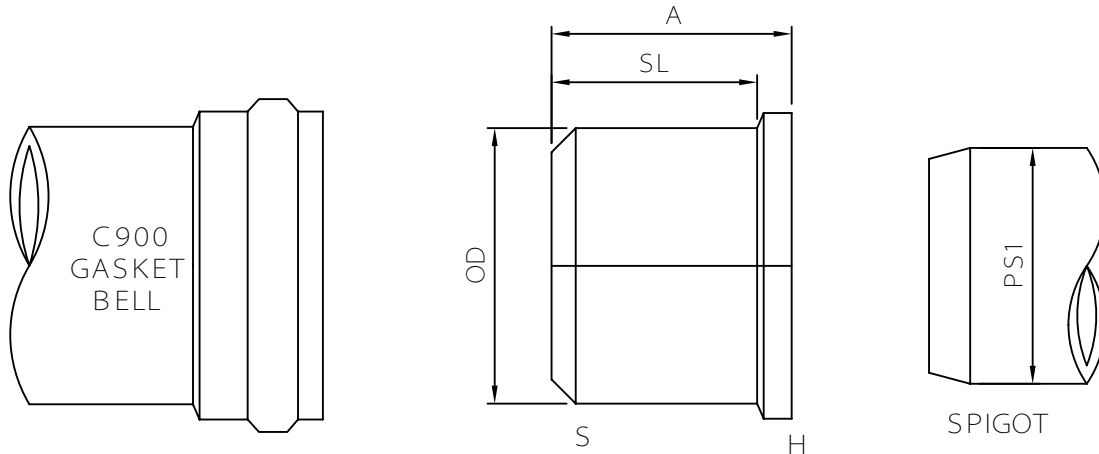


MULTI FITTINGS

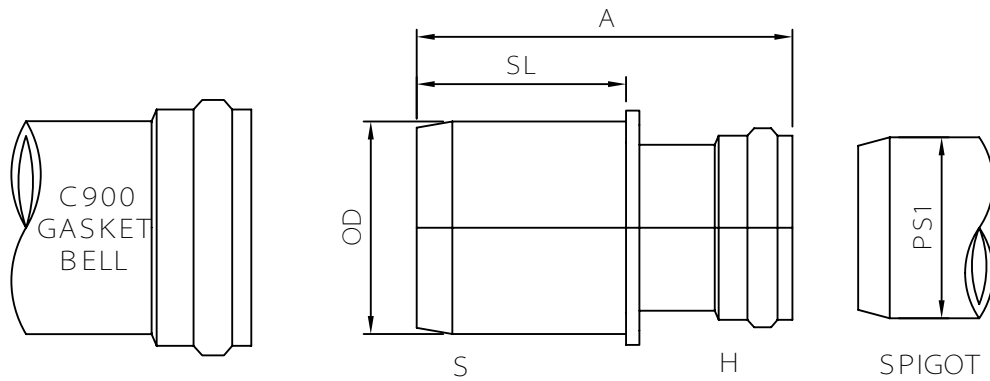
LAYING LENGTH

ISSUE DATE: 2017 12 20
SUPERCEDES: 2005 07 04

BLUE BRUTE DR18 INCREASER BUSHING (SxB)



FABRICATED FITTING (F)



INJECTION MOLDED FITTING (M)

	SIZE SxH	PART NUMBER	A REF	SL REF	OD	PSI
F	6x4	273211	5.750	5.500	6.900	C900 - 4.800
M+	8x6	073212	12.500	6.500	9.050	C900 - 6.900
F	10x8	273213	-	-	11.100	C900 - 9.050
F	12x10	273214	9.500	7.875	13.200	C900 - 11.100

Note:+ Refer to Page BB4 for Hub Detail