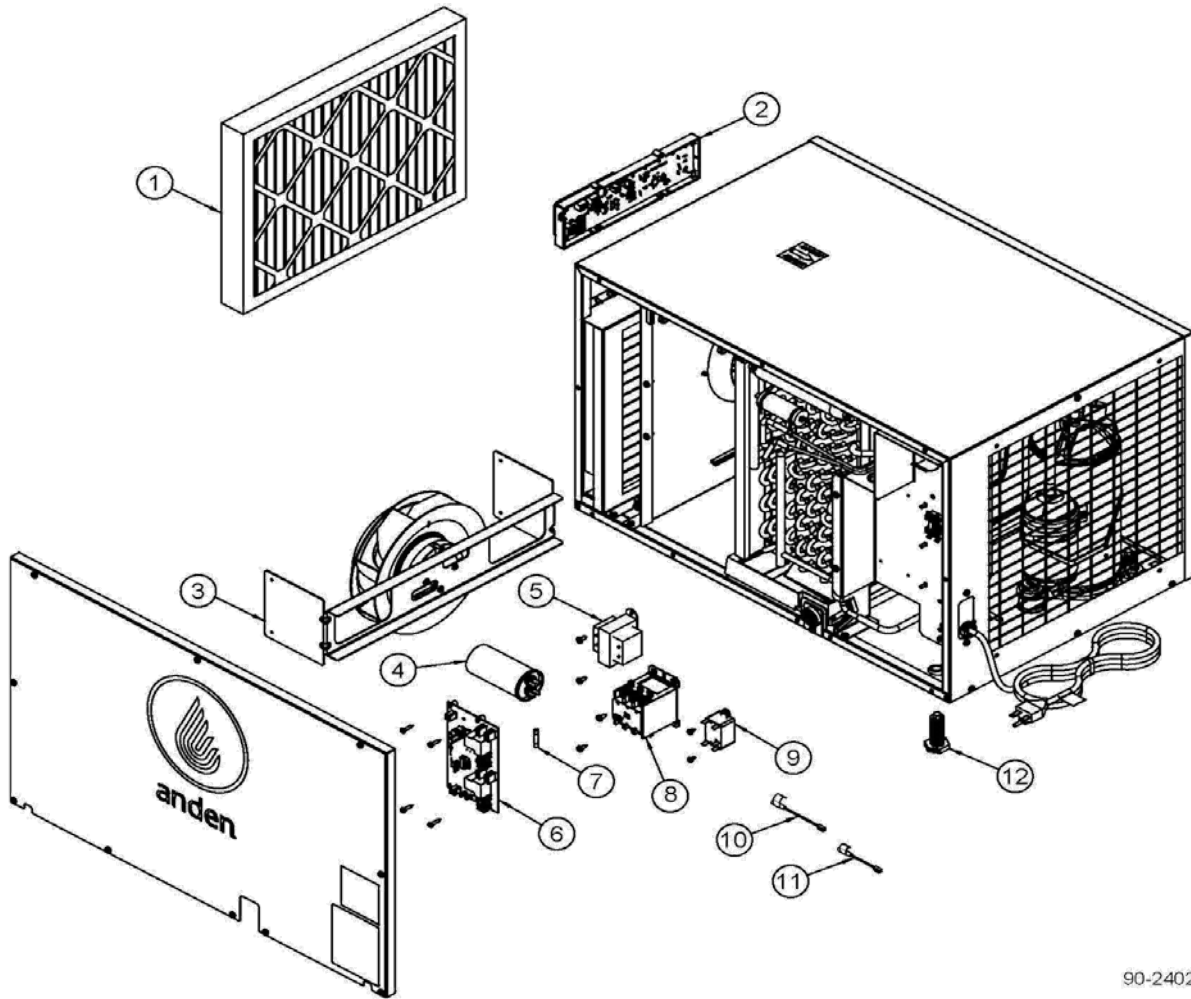




Dealer Parts List

Anden® Model A210V1 Dehumidifier

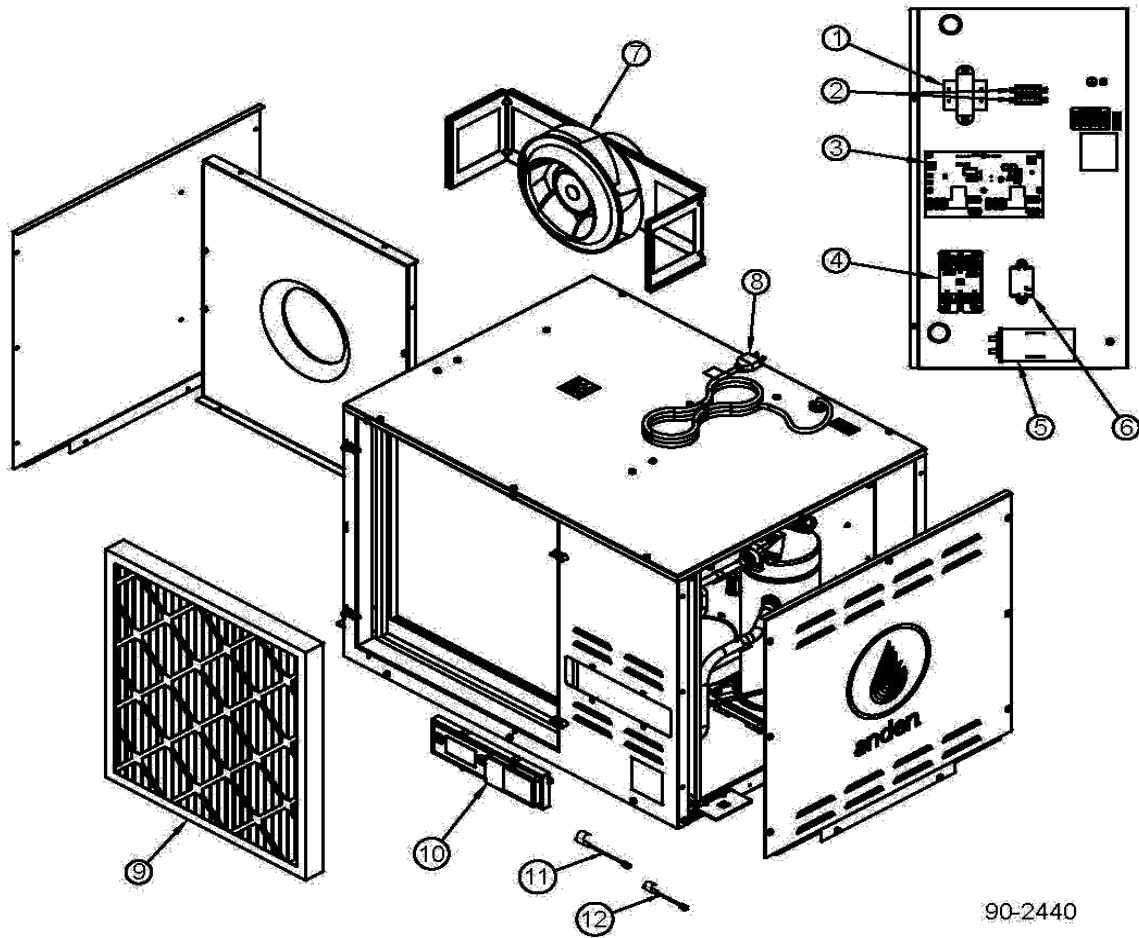


90-2402

No.	Part Description	Qty/Ctn	Part No.
1	MERV 11 Replacement Filter	1	5781
2	User Interface	1	5738
3	Fan with Mounting Bracket	1	5782
4	Compressor Run Capacitor (40 MFD, 370 VAC)	1	5783
5	Transformer, 40VA, 240V	1	5784
6	Internal Power PCB	1	5444
7	Fuse, 1A Slow Blow	1	5785
8	Compressor Contactor	1	5714
9	Fan Relay	1	5787
10	Low Temperature Sensor	1	5455
11	High Temperature Sensor	1	5786

No.	Part Description	Qty/Ctn	Part No.
12	Leveling Foot	1	5457
Other Parts			
	Duct Kit	1	5790
	Hanging Bracket Kit	1	5791
	Parts Bag (Includes Screwdriver, T20 Drive Bit, 3/4 MNPT x 3/4 Hose Barb Drain Fitting, Model A76 Control, 30 Ft. 20AWG 3-Wire Thermostat Cable)	1	5792
	Drain Tubing, 3/4" ID X 10' LG	1	5740
	Alert Light	1	5818
	Digital Dehumidifier Control	1	A77

Anden® Model A320V1 & A320V3 Dehumidifier

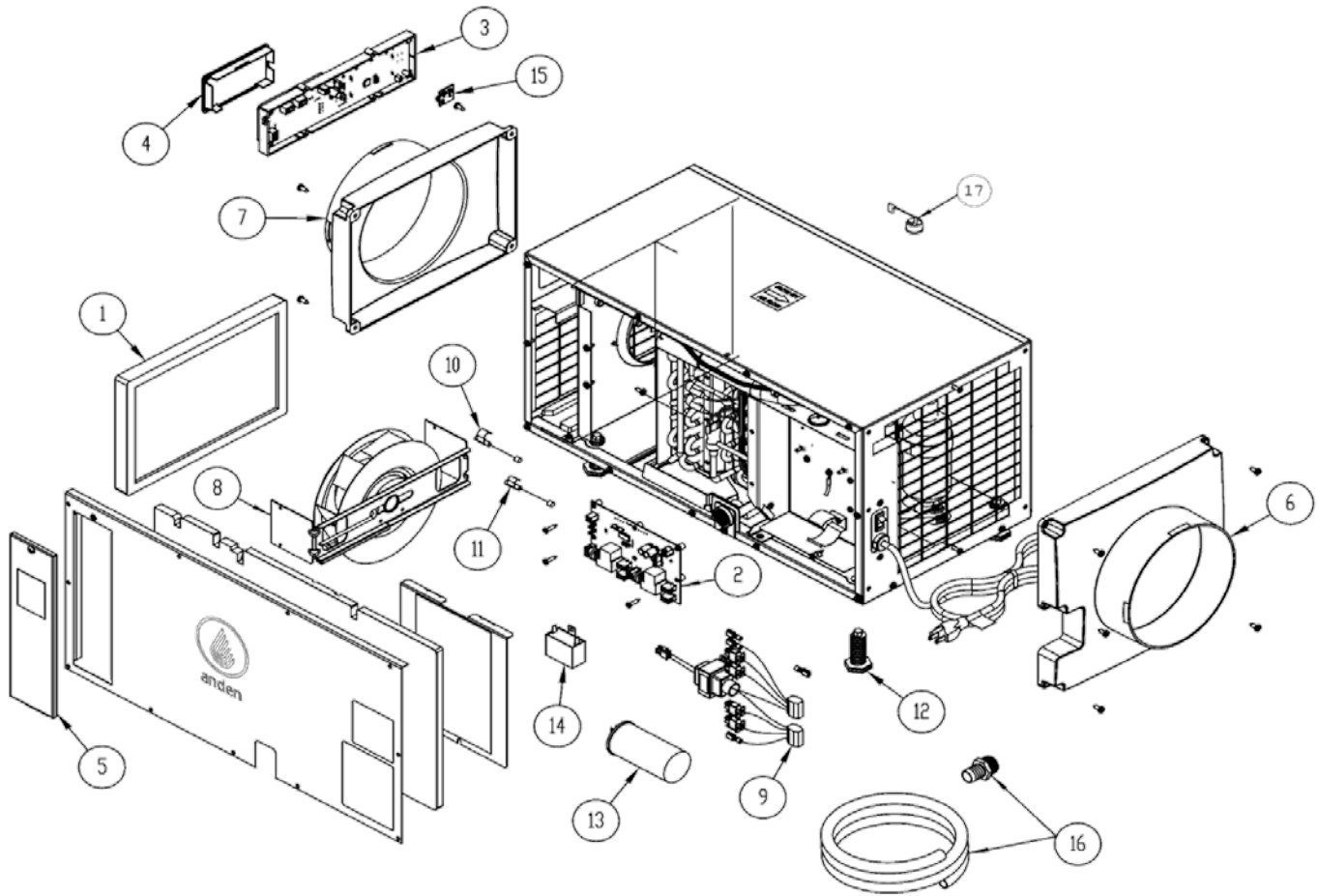


90-2440

No.	Part Description	Qty/Ctn	Part No.
1	Transformer, 40VA, 240V (A320V1)	1	5784
	Transformer, 40VA, 277V (A320V3)	1	5808
2	Fuse, 1A, Slow-Blow	1	5785
3	Internal Power PCB	1	5444
4	Compressor Contactor	1	5714
5	Compressor Run Capacitor 45MFD, 370VAC (A320V1)	1	5458
	Compressor Run Capacitor 60MFD, 370VAC (A320V3)	1	5809
6	Fan Relay	1	5787
7	Fan Assembly	1	5810
8	Cord, SJT 12/3, 6-20P (A320V1)	1	5811
	Cord, SJT 12/3, L7-20P (A320V3)	1	5812

No.	Part Description	Qty/Ctn	Part No.
9	MERV 11 Replacement Filter	1	5813
10	User Interface	1	5738
11	Low Temp Sensor	1	5814
12	High Temp Sensor	1	5815
Other Parts			
	Digital Dehumidifier Control	1	A77
	P-Trap Kit	1	5816
	Fitting, 3/4 MNPT X3/4 Barb, PVC	1	5693
	Drain Tubing, 3/4" ID X 10' LG	1	5740
	Duct Kit	1	5807
	Leveling Feet	1	5789
	Alert Light	1	5818
	Hanging Bracket Kit	1	5819

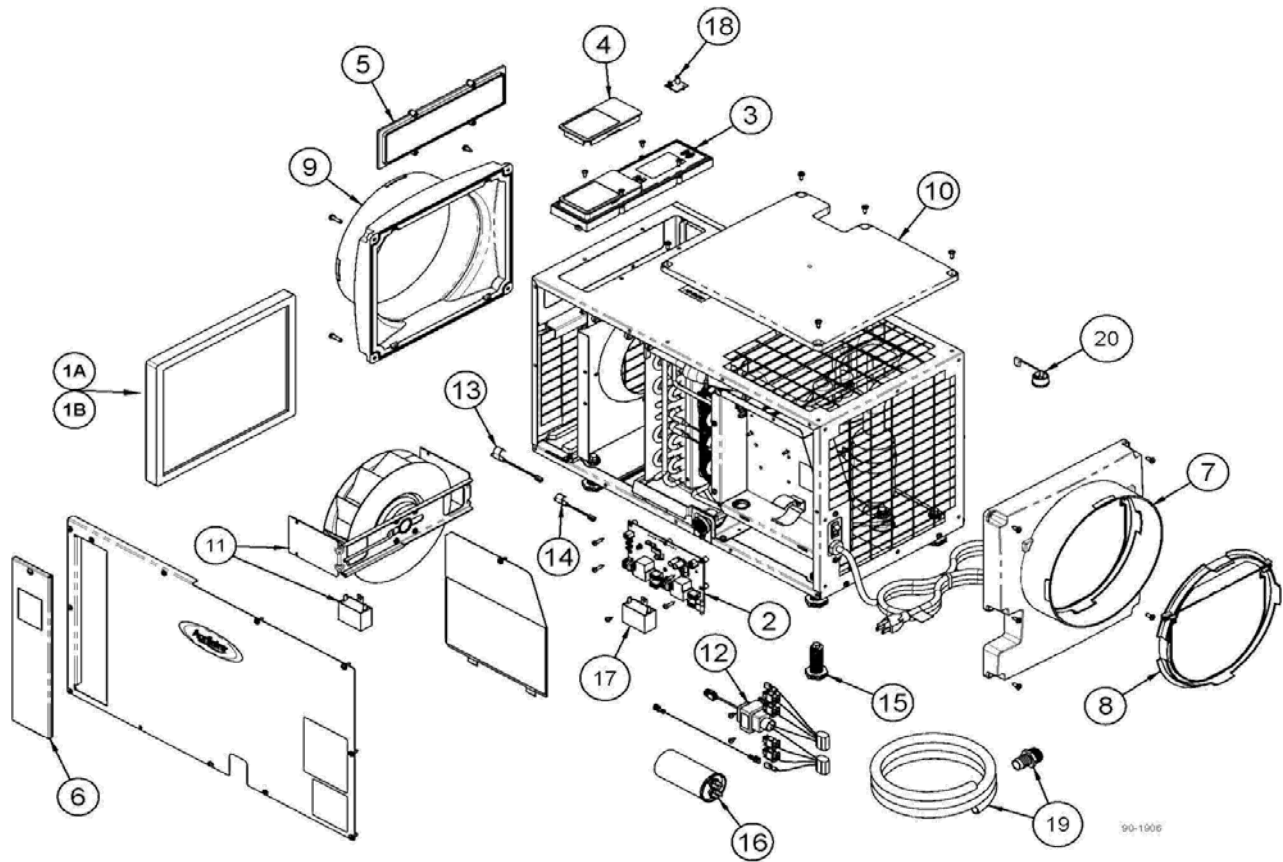
Anden® Model A70 Dehumidifier



No.	Part Description	Qty/Ctn	Part No.
1	Filter, MERV 8, Washable EZK	1	5695
	Filter, MERV 11, Disposable (6 Pack)	6	5772
2	Internal Control Board	1	5444
3	User Interface Assembly	1	5738
4	Wiring Access Door	1	5446
5	Door, Filter Access	1	5696
6	Outlet Duct Panel	1	5698
7	Inlet Duct Panel	1	5699
8	Fan with 6MFD Capacitor	1	5694
9	Wire Harness, Power	1	5454

No.	Part Description	Qty/Ctn	Part No.
10	Sensor, Low Temperature	1	5455
11	Sensor, High Temperature	1	5456
12	Leveling Foot	1	5457
13	Capacitor, 45MFD, 370VAC	1	5458
14	Capacitor, 6MFD, 250VAC	1	5582
15	RH Sensor	1	5460
16	Drain Tube + Fitting	1	5692
17	Compressor Overload Switch	1	5697
Other Parts			
	Condensate Pump with Tubing	1	4856
	Digital Dehumidifier Control	1	A77
	Dehumidifier Hanging Kit	1	5660

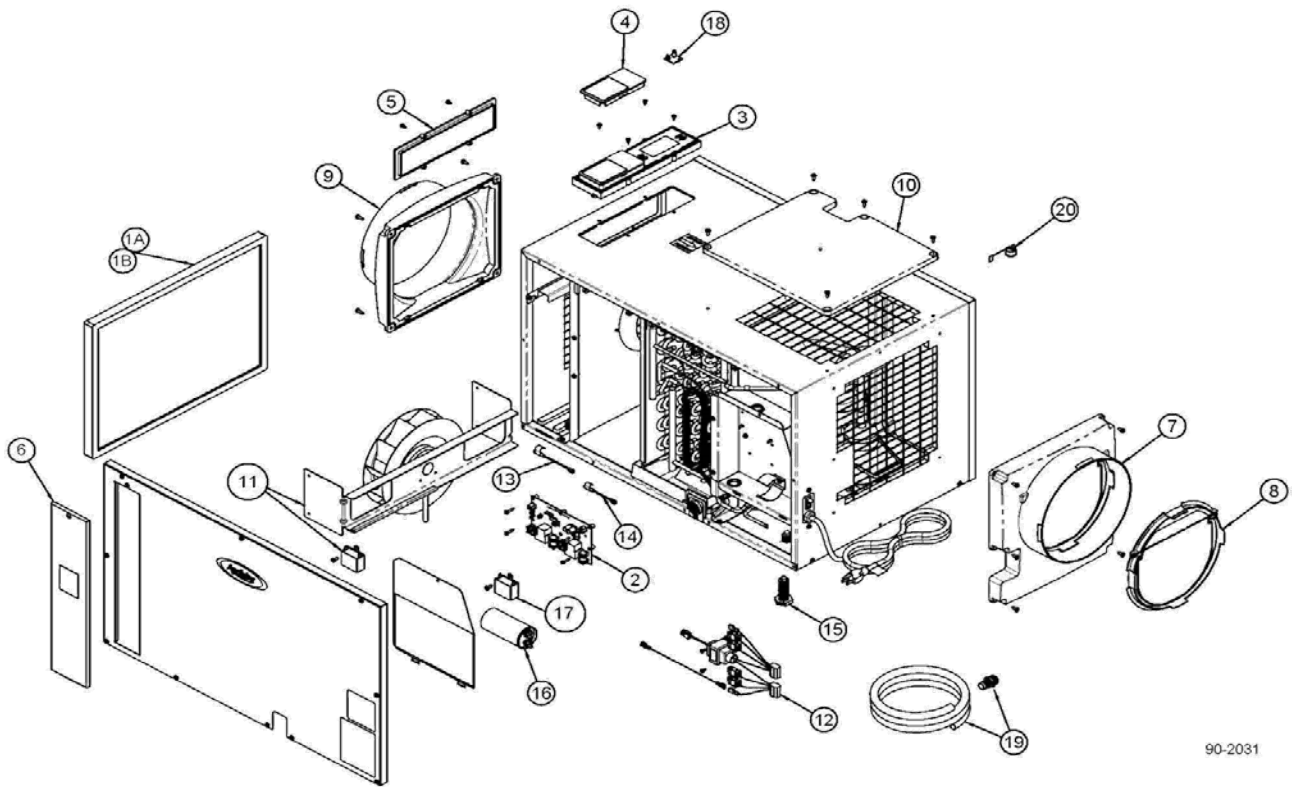
Anden® Model A95 / A95F Dehumidifiers



No.	Part Description	Qty/Ctn	Part No.
1A	Filter, MERV 8, Washable EZK (A95 Only)	6	5443
	Filter, MERV 11, Disposable (A95 Only)	6	5771
1B	Filter, MERV 8, Washable EZK (A95F Only)	6	5499
	Filter, MERV 11, Disposable (A95F Only)	6	5770
2	Internal Control Board	1	5444
3	User Interface Assembly	1	5738
4	Wiring Access Door	1	5446
5	Hole Cover, UI Ctrl (A95 Only)	1	5447
6	Door, Filter Access	1	5448
7	Outlet Duct Panel (A95 Only)	1	5449
8	Backflow Damper, 10" (A95 Only)	1	5450
9	Inlet Duct Panel (A95 Only)	1	5451

No.	Part Description	Qty/Ctn	Part No.
10	Cover, Outlet (A95 Only)	1	5452
11	Fan with 12MFD Capacitor	1	5467
12	Wire Harness, Power	1	5454
13	Sensor, Low Temperature	1	5455
14	Sensor, High Temperature	1	5456
15	Leveling Foot (A95 Only)	1	5457
16	Capacitor, 45MFD, 370VAC	1	5458
17	Capacitor, 12MFD, 450VAC	1	5468
18	RH Sensor	1	5460
19	Drain Tube + Fitting	1	5692
20	Compressor Overload Switch	1	5548
Other Parts			
	Digital Dehumidifier Control	1	A77
	Dehumidifier Hanging Kit	1	5660

Anden® Model A130 / A130F Dehumidifiers

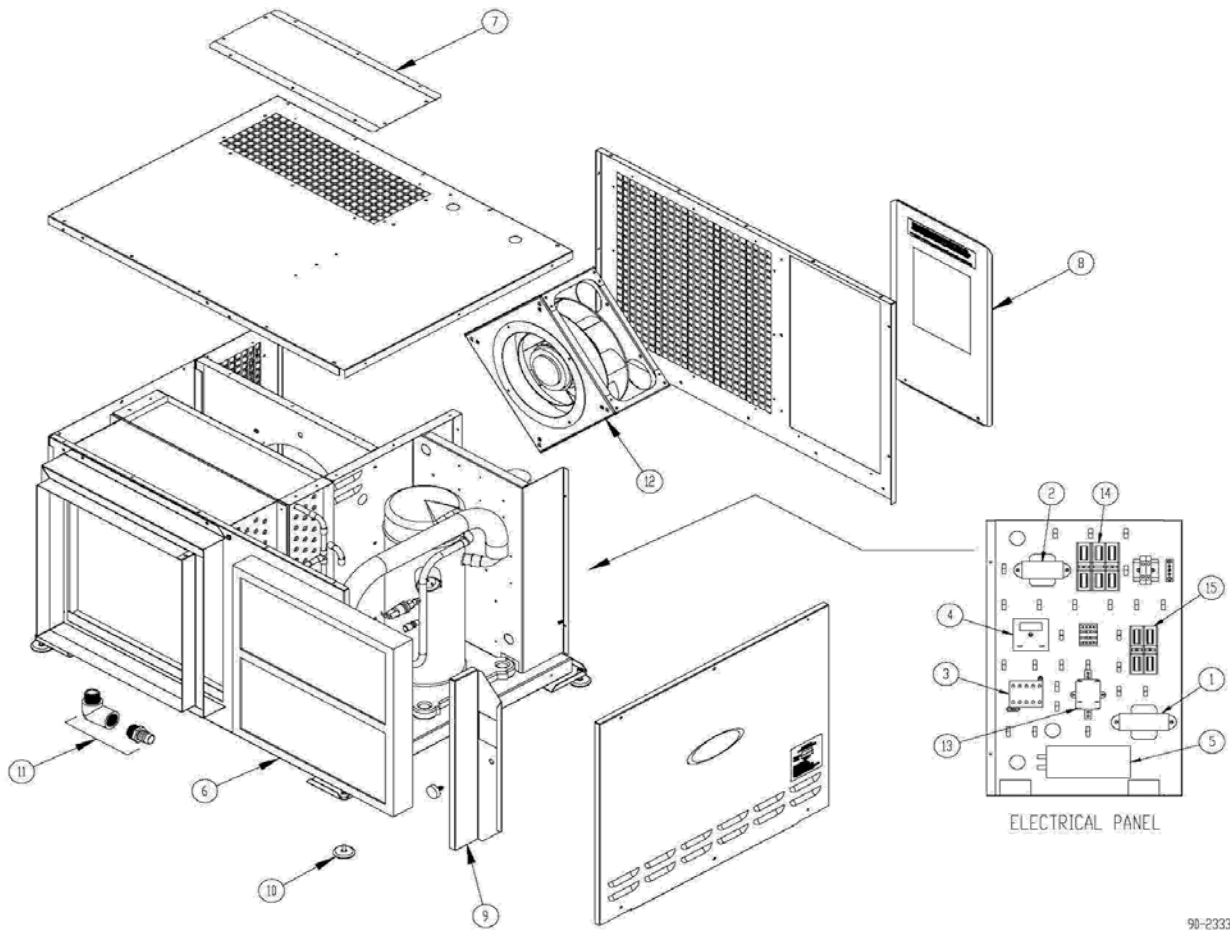


90-2031

No.	Part Description	Qty/Ctn	Part No.
1A	Filter, MERV 8, Washable EZK (A130 Only)	6	5569
	Filter, MERV 11, Disposable (A130 Only)	6	5701
1B	Filter, MERV 8, Washable EZK (A130F Only)	6	5570
	Filter, MERV 11, Disposable (A130F Only)	6	5769
2	Internal Control Board	1	5444
3	User Interface Assembly	1	5738
4	Wiring Access Door	1	5446
5	Hole Cover, UI Ctrl (A130 Only)	1	5447
6	Door, Filter Access	1	5571
7	Outlet Duct Panel (A130 Only)	1	5449
8	Backflow Damper, 10" (A130 Only)	1	5450
9	Inlet Duct Panel (A130 Only)	1	5451

No.	Part Description	Qty/Ctn	Part No.
10	Cover, Outlet (A130 Only)	1	5452
11	Fan, 130pt Deh, with 10MFD Capacitor	1	5572
12	Wire Harness, Power, Deh	1	5454
13	Sensor, Low Temperature	1	5455
14	Sensor, High Temperature	1	5456
15	Leveling Foot (A130 Only)	1	5457
16	Capacitor, 50MFD, 370VAC	1	5594
17	Capacitor, 10MFD, 250VAC	1	5573
18	RH Sensor, Deh	1	5460
19	Drain Tube + Fitting	1	5692
20	Compressor Overload Switch	1	5574
Other Parts			
	Digital Dehumidifier Control	1	A77
	Dehumidifier Hanging Kit	1	5691

Anden® Model A200V1, A300V1 & A300V3 Dehumidifiers

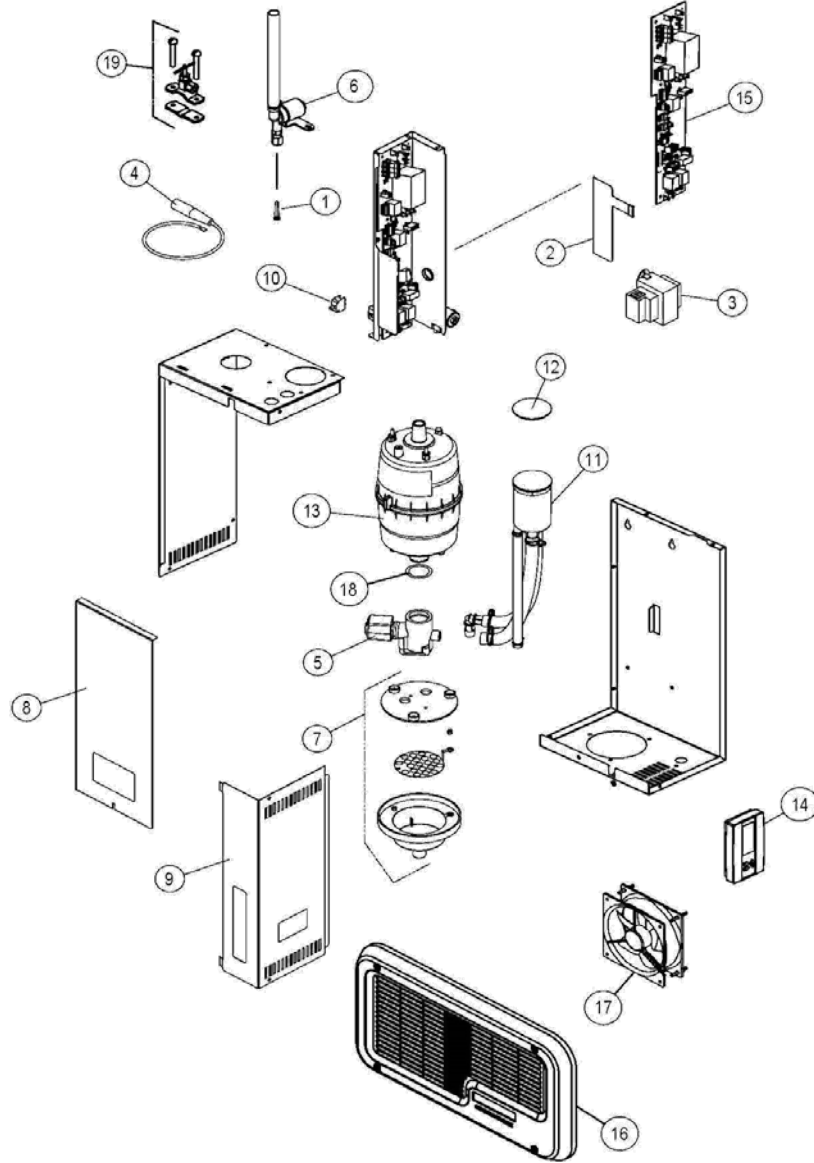


90-2333

No.	Part Description	Qty/Ctn	Part No.
1	Transformer, 277/240 VAC (A300V3 Only)	1	5712
2	Transformer, 208/240/24 VAC (A200V1 & A300V1)	1	5713
	Transformer, 277/24 VAC (A300V3 Only)	1	5757
3	Contact, Compressor	1	5714
4	Time Delay Relay	1	5715
5	Capacitor, 30 μ F (A200V1)	1	5716
	Capacitor, 60 μ F (A300V1)	1	5759
	Capacitor, 45 μ F (A300V3)	1	5758
6	Inlet Air Filter, MERV 11, Disposable (6 Pack)	1	5717
7	Outlet Patch	1	5718
8	Electrical Access Door	1	5719
9	Filter Rack, Access Door and Knob	1	5720
10	Leveling Feet	1	5721

No.	Part Description	Qty/Ctn	Part No.
11	Drain Fittings (90° Elbow and Hose Barb)	1	5722
12	Fan Assembly	1	5723
13	Fan Relay	1	5787
14	1A Fuse (3 Pack)	1	5729
15	3A Fuse (2 Pack)	1	5730
Other Parts			
	Eye Bolt	1	5728
	High Pressure Switch	1	5731
	Low Pressure Switch	1	5732
	Crankcase Heater	1	5733
	Accessory Bag (Power Cord, Wire, Etc. - A200V1 Only)	1	5735
	Digital Dehumidifier Control	1	A76

Anden® Model AS35 / AS35FP Humidifiers



80-2348

No.	Part Description	Qty/Ctn	Part No.
1	Fill Valve In-line Strainer	12	4004
2	Membrane Switch	1	5532
3	Universal Transformer (75 VA)	1	5306
4	Electrode Wire (1)	1	4978
5	Drain Valve	1	4983
6	Fill Valve	1	5531
7	Drain Cup Assembly	1	4985
8	Front Panel & Screw	1	4986
9	Electrical Access Panel & Screws	1	4987
10	Safety Interlock Switch	1	4988
11	Fill Cup & Hoses	1	5590
12	Fill Cup Cap	1	4990
13	Steam Canister and O-Ring	6	AS80

No.	Part Description	Qty/Ctn	Part No.
14	Automatic Digital Modulating Control (ADMC)	1	5558
15	Control Board	1	5530
16	Fan Pack Grille	1	5662
17	Fan Pack Fan	1	4999
18	O-ring	6	5258
19	Saddle Valve	1	4001
Other Parts			
	Drain Trap & Tee	1	4028
	Airflow Proving Switch	1	4592
	High Humidity Limit Switch	1	4594
	Condensate Pump (Rated for 160°F)	1	4856
	Steam Hose (6 ft.) & Clamps	1	4973
	Drain Hose (10 ft.) & Clamps	1	4974

Contact us at:
PO Box 1467 · Madison, WI 53701-1467
Phone: 800.972.3710