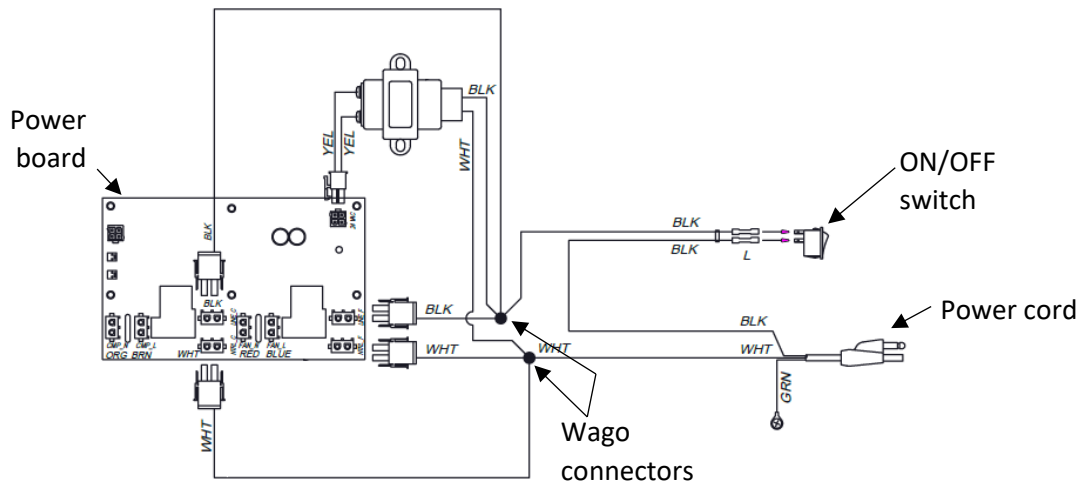


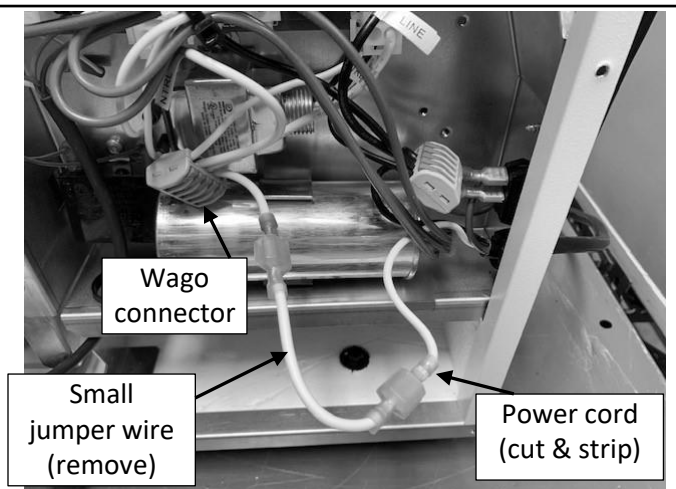
Installation Instructions: Transformer Wire Harness for Dehumidifier



1. Disconnect power by unplugging the dehumidifier or turning off the breaker that services the dehumidifier.
2. Remove the panel on the side where the drain is located.
3. Remove the electrical cabinet cover.
4. Disconnect the two black "LINE" wires and two white "NTRL" wires from the power board.
5. Disconnect the "24VAC" yellow wires from the power board.
6. Disconnect the black wire from the ON/OFF switch that connects to the Wago connector of the transformer wire harness.
7. Lift up the lever of the Wago connector position that holds the white wire that attaches to the power cord and remove the wire from the Wago connector.

NOTE: The part being replaced may have a small white wire in the Wago connector that attaches to another small jumper wire before connecting to the power cord, as shown to the right. After removing the transformer harness:

- Remove the small jumper wire from the white wire of the power cord
- Cut off the quick-connect terminal from the white wire of the power cord and strip off 1/4" – 3/8" of insulation



8. Mount the new transformer wire harness into the electrical cabinet.
9. Insert the white wire of the power cord into the empty position of the white wire Wago connector on the replacement transformer harness.
10. Reconnect the LINE, NTRL, 24VAC connectors to the power board and install the black wire to the ON/OFF switch.
11. Replace the electrical cover and side panel, then restore power to the dehumidifier.