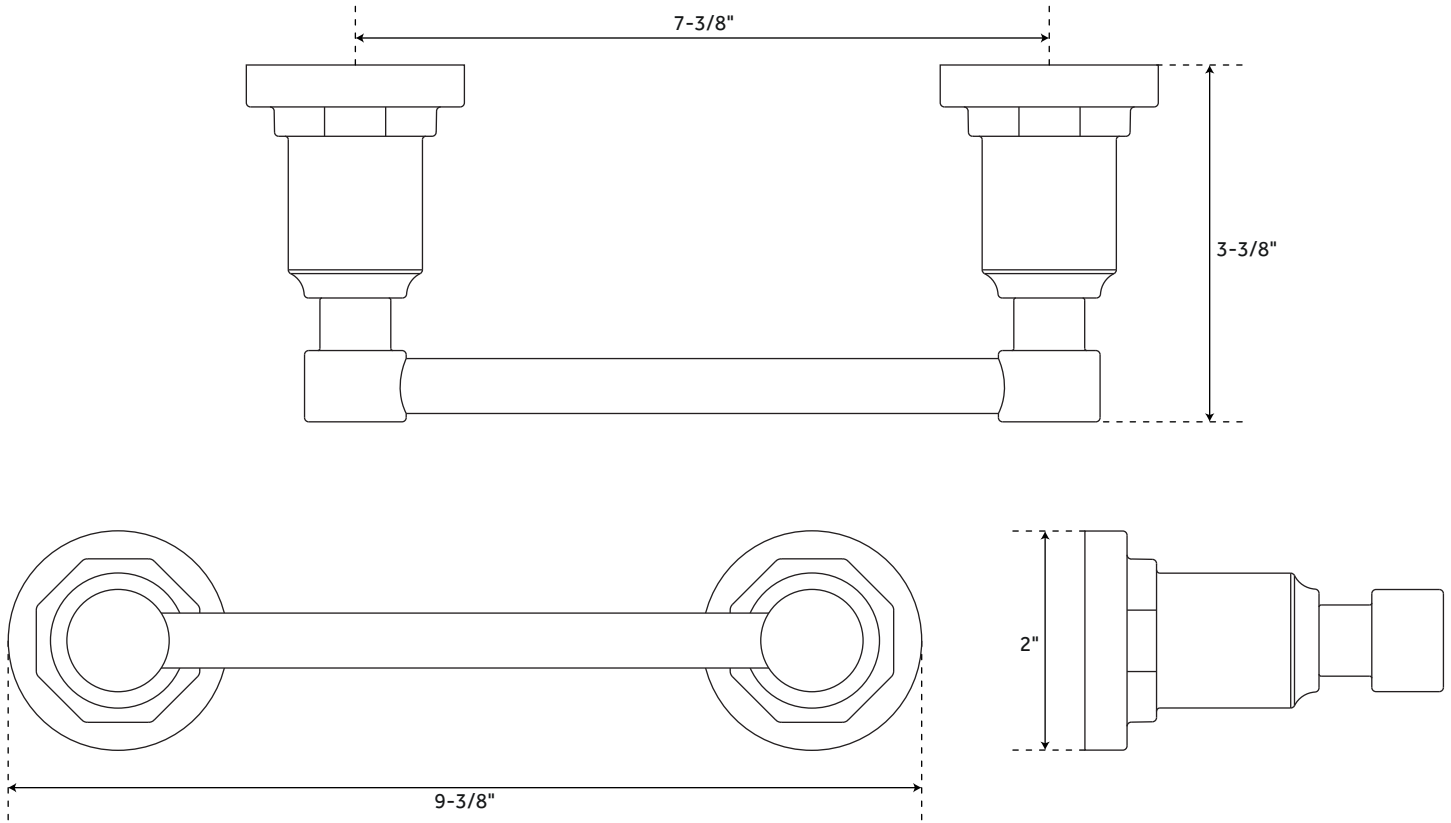


GREYFIELD

TOILET PAPER HOLDER

SKU: 948295



FEATURES

Installation Type: Wall Mount
Design: Modern
Material: Metal
Length: 9-3/8"
Height: 2"
Depth: 3-3/8"
Base Plate Diameter: 2"
Mounting Hardware Included: Yes
Mounting Hardware Concealed: Yes
Assembly Required: No
Centers: 7-3/8"

SIGNATURE HARDWARE LIFETIME WARRANTY

See website for warranty information



All dimensions and specifications are nominal and may vary. Use actual products for accuracy in critical situations.

REVISED 01/14/2020
CODE: SHGFTHBN/SHGFTHCP/SHGFTHPN