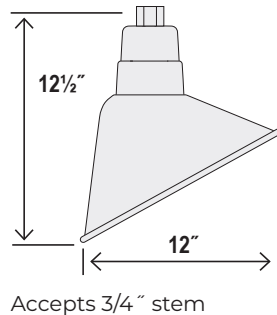


## RAS12 - R SERIES 12" ANGLE SHADE

This item can be converted to a pendant or wall sconce with purchase of separate compatible downrod or goose neck.

Please see compatible downrods and arms below:

- Compatible downrods: RS1, RS2, and RS3
- Compatible with arms: RGN10, RGN12, RGN13, RGN15, RGN22, RGN23, RGN24, RGN30, and RGN41
- Compatible with wire guard: RWG12



### Dimensions

Width	12"
Height	12½"
Wire	100"

### Finish & Material

Finishes	<b>ABR</b> - Architectural Bronze <b>BP</b> - Black Porcelain <b>GA</b> - Galvanized <b>GY</b> - Gray <b>NB</b> - Navy Blue <b>NC</b> - Natural Copper <b>SB</b> - Satin Black <b>SFP</b> - Sea Foam Porcelain <b>SG</b> - Satin Green <b>SR</b> - Satin Red <b>WH</b> - White <b>WP</b> - White Porcelain
Material	Metal

### Wattage

Bulbs	1-Medium A21
Watts per Bulb	200W
Voltage	120V
Bulbs Included	No

### Certification

UL Listed	Wet Location
-----------	--------------

### Item Number

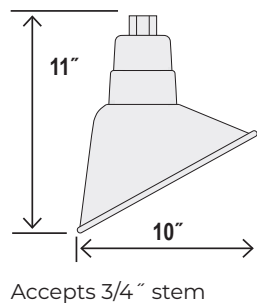
SKU	RAS12
-----	-------

## RAS10 - R SERIES 10" ANGLE SHADE

This item can be converted to a pendant or wall sconce with purchase of separate compatible downrod or goose neck.

Please see compatible downrods and goose neck below:

- Compatible downrods: RS1, RS2, and RS3
- Compatible with arms: RGN10, RGN12, RGN13, RGN15, RGN22, RGN23, RGN24, RGN30, and RGN41
- Compatible with wire guard: RWG10



### Dimensions

Width	10"
Height	11"
Wire	100"

### Finish & Material

Finishes	<b>ABR</b> - Architectural Bronze <b>BP</b> - Black Porcelain <b>GA</b> - Galvanized <b>GY</b> - Gray <b>NB</b> - Navy Blue <b>NC</b> - Natural Copper <b>SB</b> - Satin Black <b>SFP</b> - Sea Foam Porcelain <b>SG</b> - Satin Green <b>SR</b> - Satin Red <b>WH</b> - White <b>WP</b> - White Porcelain
Material	Metal

### Wattage

Bulbs	1-Medium A21
Watts per Bulb	200W
Voltage	120V
Bulbs Included	No

### Certification

UL Listed	Wet Location
-----------	--------------

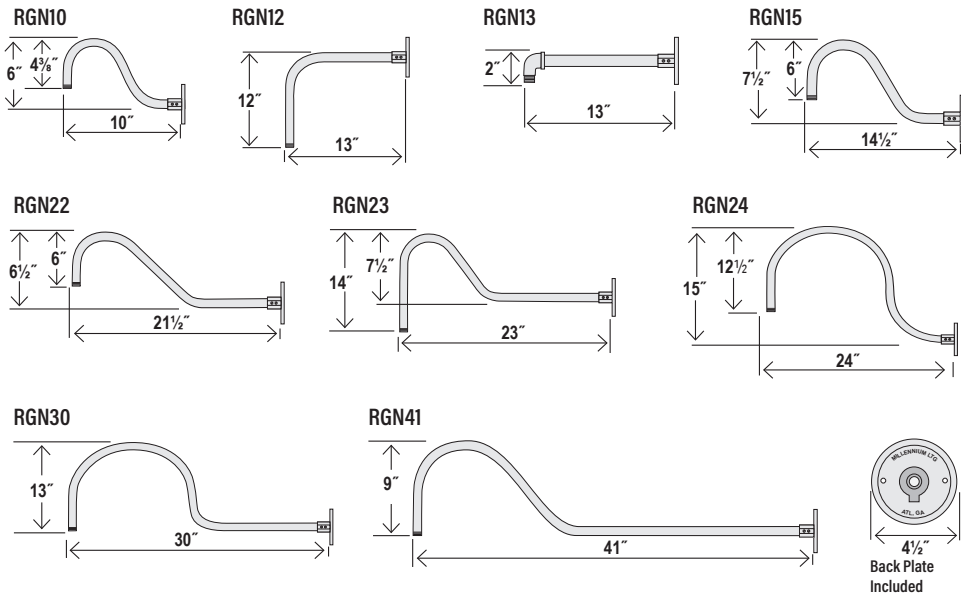
### Item Number

SKU	RAS10
-----	-------

**Note:** All finishes on outdoor lighting must be properly maintained and treated. Therefore, we suggest cleaning with a regular application of finish preserving & renewing products such as Rejuvenate.

## R SERIES OPTIONS

### GOOSE NECKS - (WALL MOUNT)

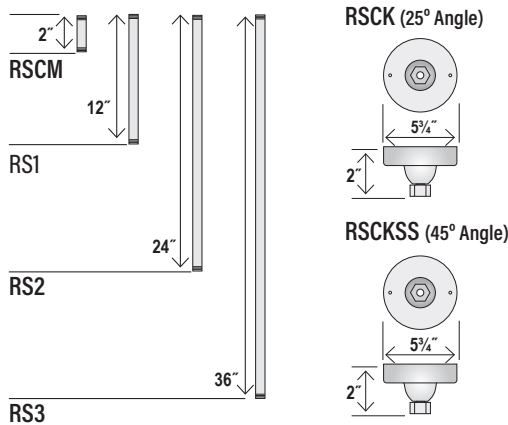


ID: 3/4"

#### FINISHES

- ABR - Architectural Bronze
- AL - Aluminum
- ASB - Aluminum Painted Satin Black
- BP - Black Porcelain
- GA - Galvanized
- GY - Gray
- NB - Navy Blue
- NC - Natural Copper
- SB - Satin Black
- SFP - Sea Foam Porcelain
- SG - Satin Green
- SR - Satin Red
- WH - White
- WP - White Porcelain

### STEMS AND CANOPY KITS - (CEILING MOUNT)



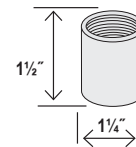
ID: 3/4"

#### FINISHES

- ABR - Architectural Bronze
- CP - Copper
- GA - Galvanized
- GY - Gray
- NB - Navy Blue
- SB - Satin Black
- SG - Satin Green
- SR - Satin Red
- WH - White

### STEM CONNECTORS

RC

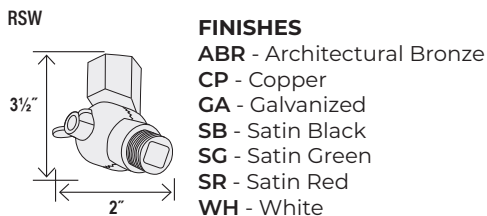


Accepts 3/4" stem

#### FINISHES

- ABR - Architectural Bronze
- AL - Aluminum
- CP - Copper
- GA - Galvanized
- GY - Gray
- NB - Navy Blue
- SB - Satin Black
- SG - Satin Green
- SR - Satin Red
- WH - White

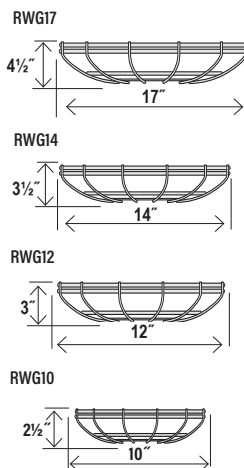
### WALL MOUNT SWIVELS



#### FINISHES

- ABR - Architectural Bronze
- CP - Copper
- GA - Galvanized
- SB - Satin Black
- SG - Satin Green
- SR - Satin Red
- WH - White

### WIRE GUARDS



#### FINISHES

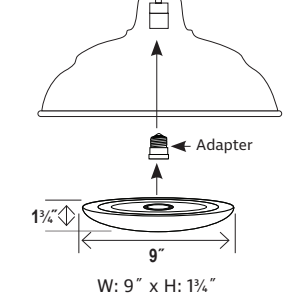
- ABR - Architectural Bronze
- GA - Galvanized
- GY - Gray
- NB - Navy Blue
- SB - Satin Black
- SG - Satin Green
- SR - Satin Red
- WH - White

### LED MODULE

#### RLED24W

This accessory is only compatible for the Warehouse Shade (i.e. RWHS14 & RWHS17).

#### RLED24W



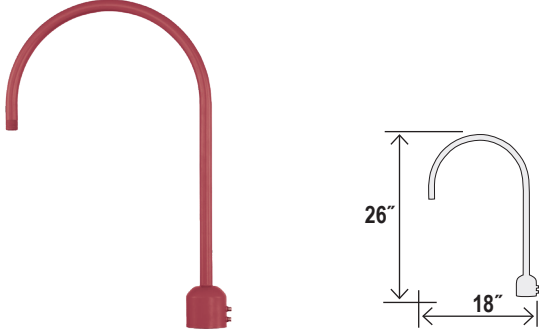
1920 Lumens  
3000K  
CRI 90  
Dimmable

## R SERIES OPTIONS

### 1 LIGHT POST ADAPTERS

- Will work with any RLM shade
- Designed to fit standard 3" posts and pier mount bases
- Unique stem hung design does not require pipe sealant compound on fittings.
- 3/4" inner diameter rigid conduit or water pipe may be substituted for stems or goose necks.

RPAS



### Finish & Material

Finishes	<b>ABR</b> - Architectural Bronze <b>AL</b> - Aluminum <b>CP</b> - Copper <b>GA</b> - Galvanized <b>GY</b> - Gray <b>NB</b> - Navy Blue <b>SB</b> - Satin Black <b>SG</b> - Satin Green <b>SR</b> - Satin Red <b>WH</b> - White
Material	Cold Rolled Steel, Die Cast Zinc

### Certification

UL Listed Wet Location

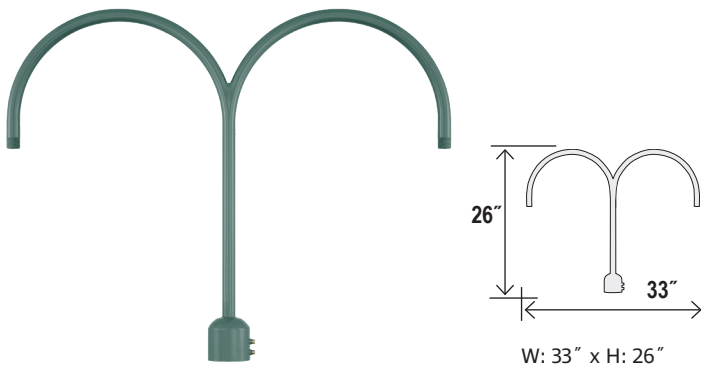
### Item Number

SKU RPAS

### 2 LIGHT POST ADAPTERS

- Will work with any RLM shade
- Designed to fit standard 3" posts and pier mount bases
- Unique stem hung design does not require pipe sealant compound on fittings.
- 3/4" inner diameter rigid conduit or water pipe may be substituted for stems or goose necks.

RPAD



### Finish & Material

Finishes	<b>ABR</b> - Architectural Bronze <b>AL</b> - Aluminum <b>CP</b> - Copper <b>GA</b> - Galvanized <b>GY</b> - Gray <b>NB</b> - Navy Blue <b>SB</b> - Satin Black <b>SG</b> - Satin Green <b>SR</b> - Satin Red <b>WH</b> - White
Material	Cold Rolled Steel, Die Cast Zinc

### Certification

UL Listed Wet Location

### Item Number

SKU RPAD