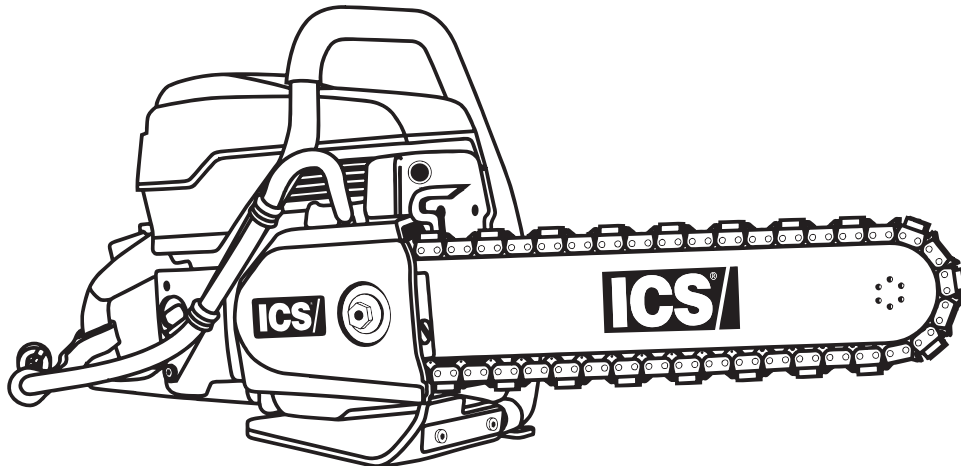




**Diamond Tools and Equipment
for Construction and Infrastructure**

Replacement Parts & Accessories Price List



695XL Gas Concrete Saw

Effective January 1, 2021

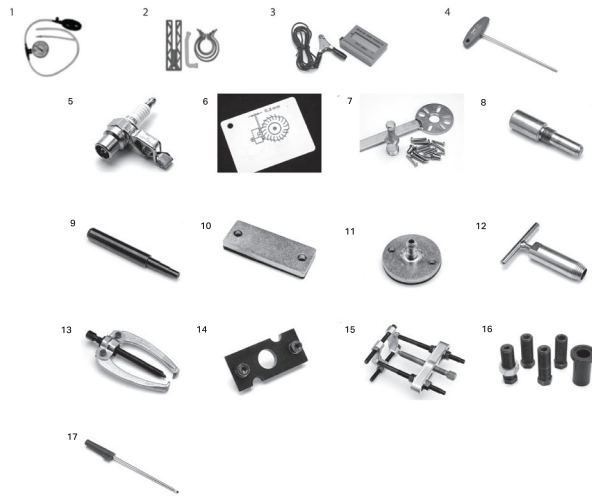
TABLE OF CONTENTS

695XL Gas Saw

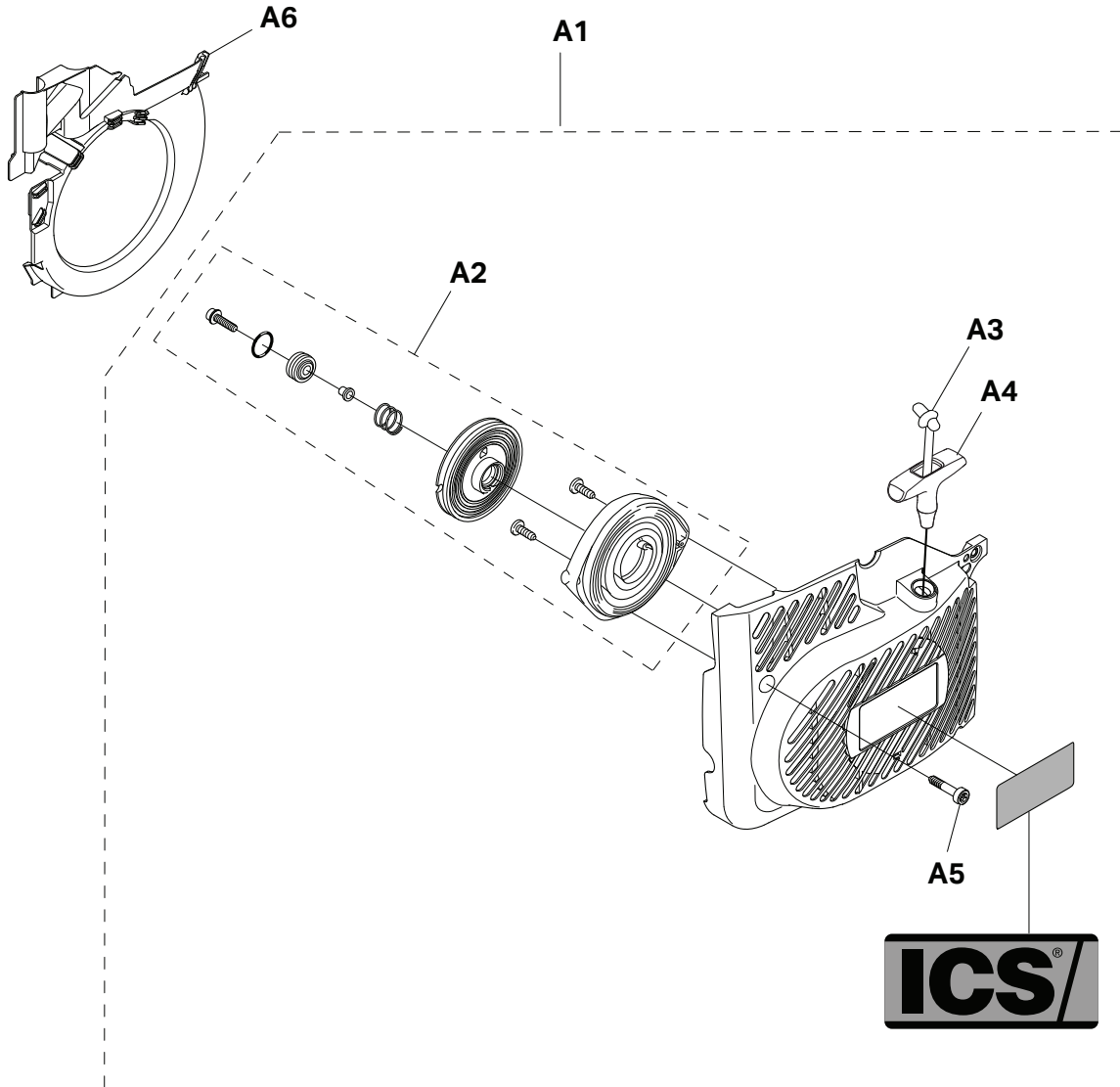
ITEM DESCRIPTION	KEY	PAGE
695XL Gas Saw Service Items	n/a	2
Starter Assembly	A	3
Flywheel & Ignition Assembly	B	4
Clutch Assembly & WallWalker®	C	5
Side Cover & Tensioner Assembly	D	6
Cylinder & Exhaust Assemblies	E	7
Crankcase Assembly	F	8
Crankshaft Assembly	G	9
Carburetor & Intake Assemblies	I	11
Cylinder & Air Filter Cover Assemblies	J	12
Fuel Tank Assembly	K	13
Water Delivery System	L	14

SERVICE ITEMS

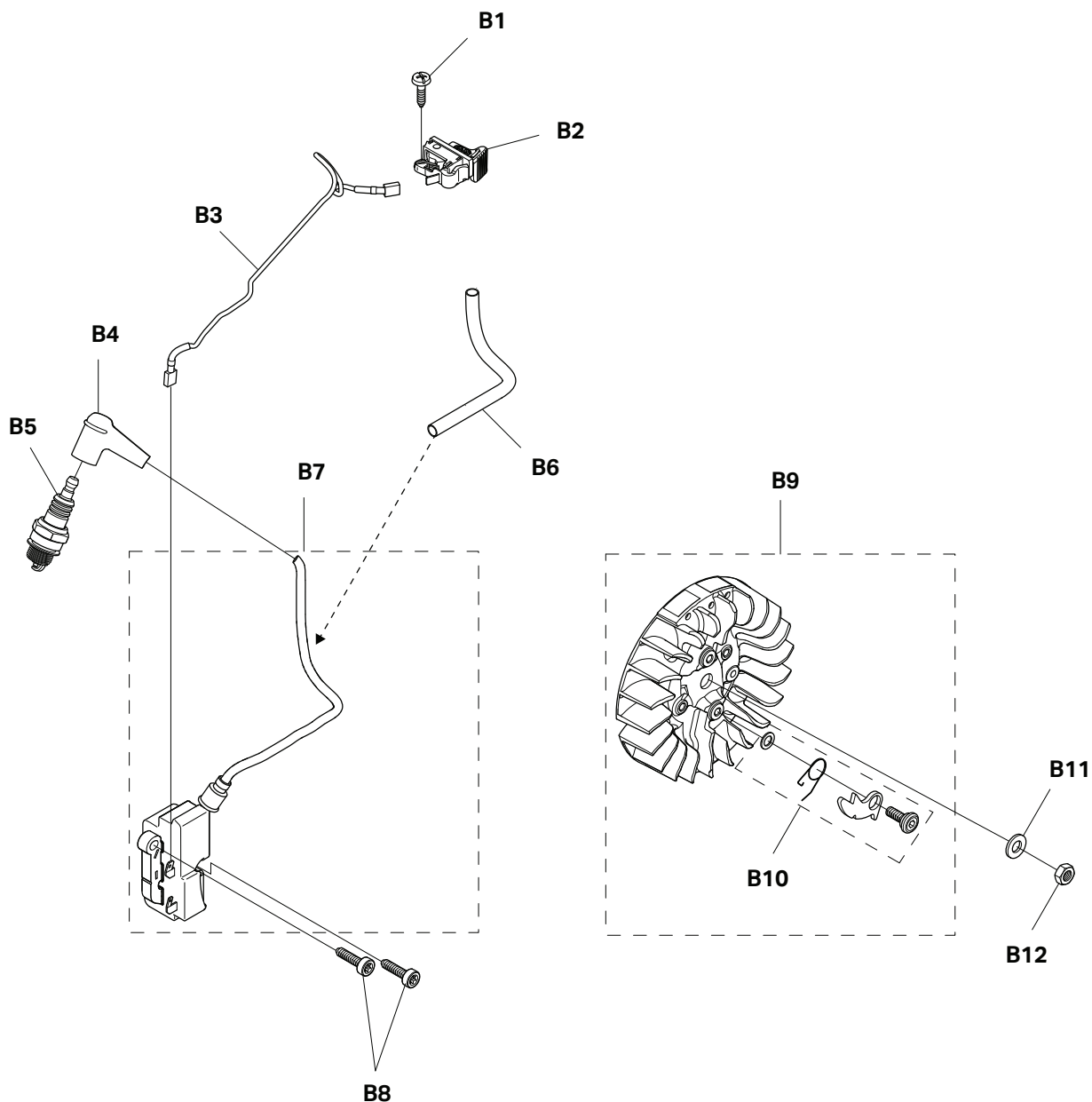
695XL Gas Concrete Saw



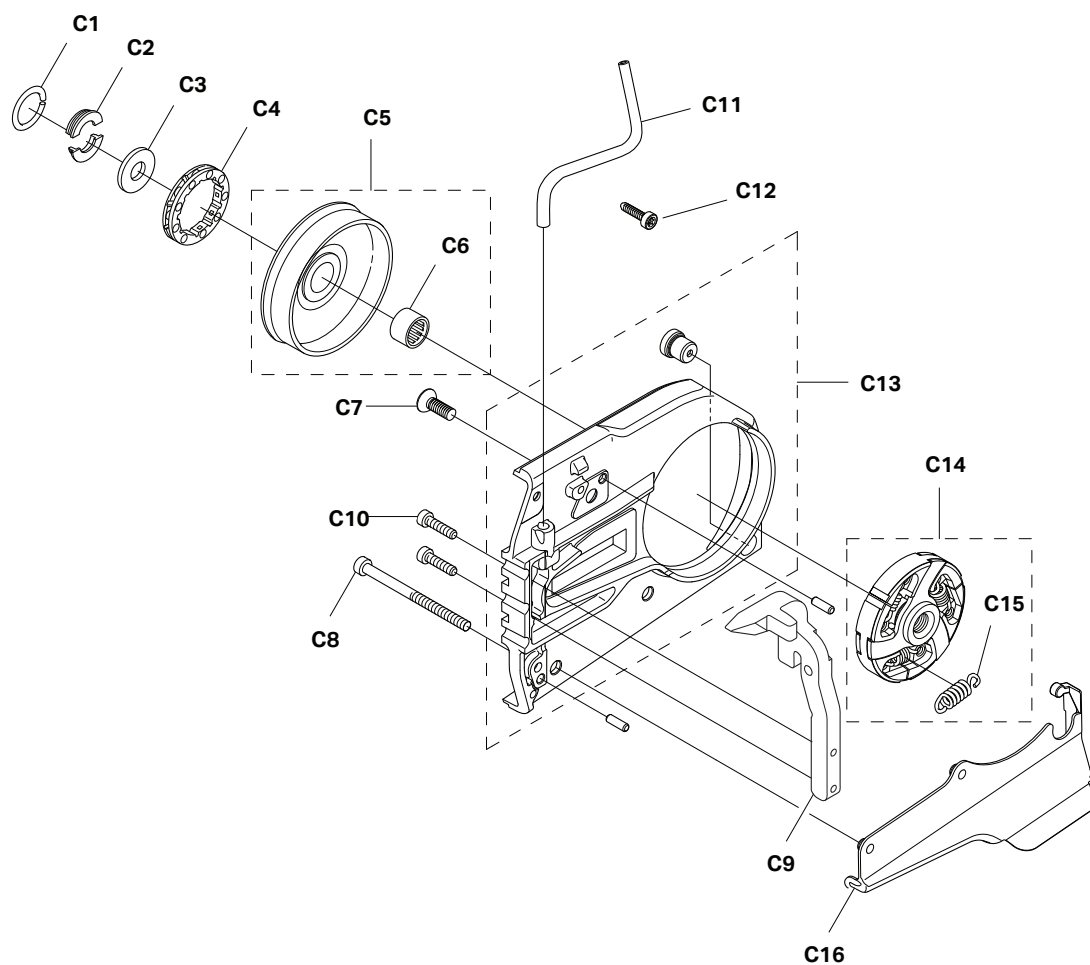
Key #	Part No.	Description	MSRP
1	71541	Pressure Gauge Bulb	\$70.60
2	71543	Cylinder Assembly Clamps & Piston Stop	\$14.95
3	71565	Electronic Tachometer	\$331.00
4	546191	Workshop Key Torx T27	\$28.40
5	546192	Test Spark Plug	\$21.95
6	546193	Air Gap Gauge	\$4.45
7	546194	Flywheel Puller	\$55.45
8	547277	Piston Stop	\$2.35
9	546196	Wrist Pin Punch	\$19.60
10	546197	Cylinder Seal, Exhaust	\$22.95
11	546198	Cylinder Seal, Inlet Port	\$68.30
12	546289	Puller, Sealing Ring	\$43.55
13	546292	Universal Puller	\$164.00
14	546293	Grip Plate	\$89.90
15	546294	Bearing Puller	CALL
16	546295	Bearing Press	\$152.00
17	546307	Screwdriver, Idle	\$6.80
not shown	546659	Clutch Tool	\$42.35
not shown	544120	Flat Blade Srench	\$15.30
not shown	544119	Torque Srench	\$15.30
not shown	571227	OIL, 2-STROKE 2.6 OZ(6-PACK)	\$12.90



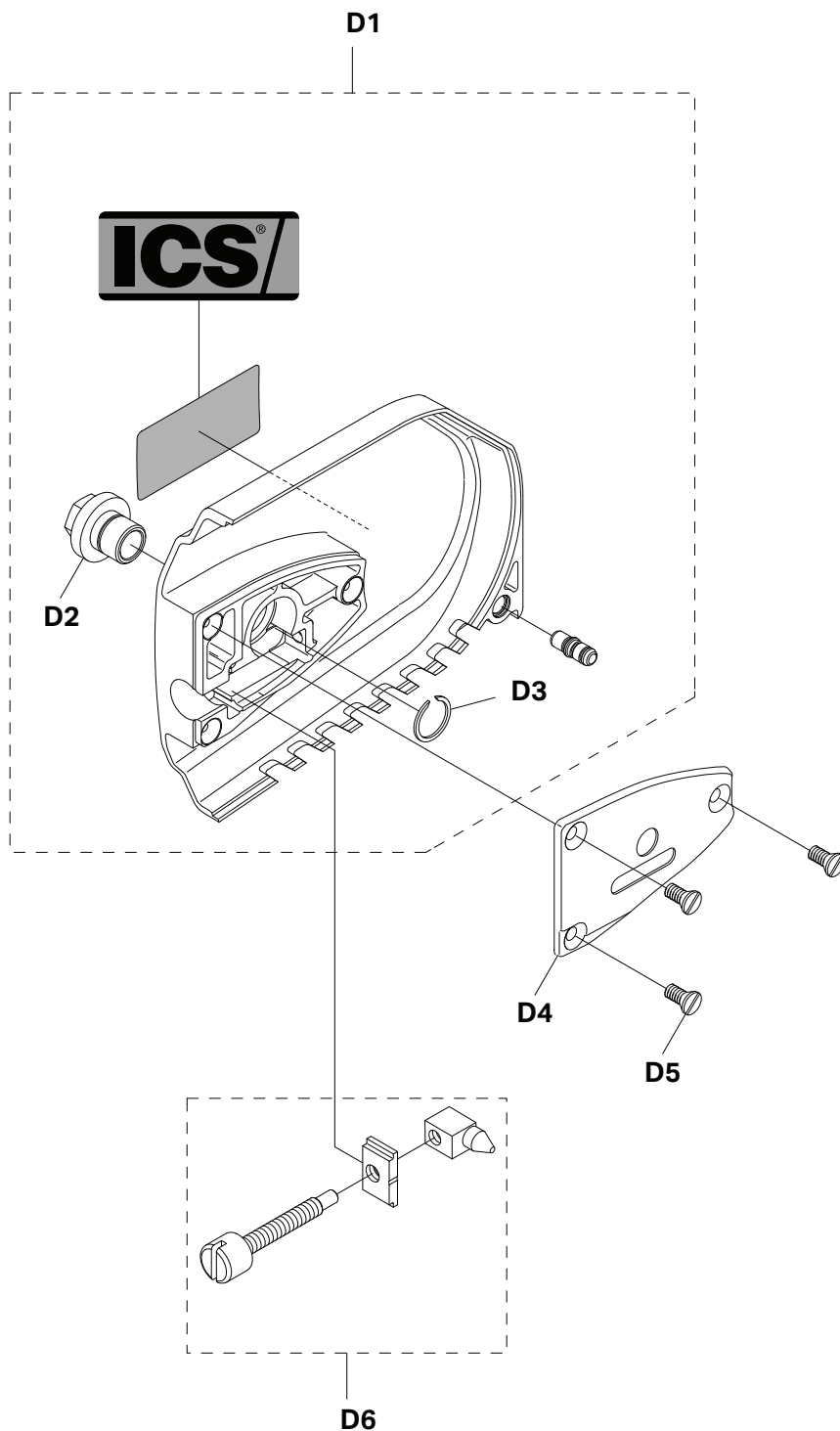
Key #	Part No.	Description	MSRP
A1	544013	STARTER COVER ASSEMBLY	\$159.00
A2	544127	STARTER PULLEY KIT, 695	\$70.60
A3	544023	STARTER CORD	\$18.60
A4	544024	STARTER HANDLE	\$11.15
A5	544012	SCREW	\$3.45
A6	544026	STARTER COVER SHIELD	\$12.15



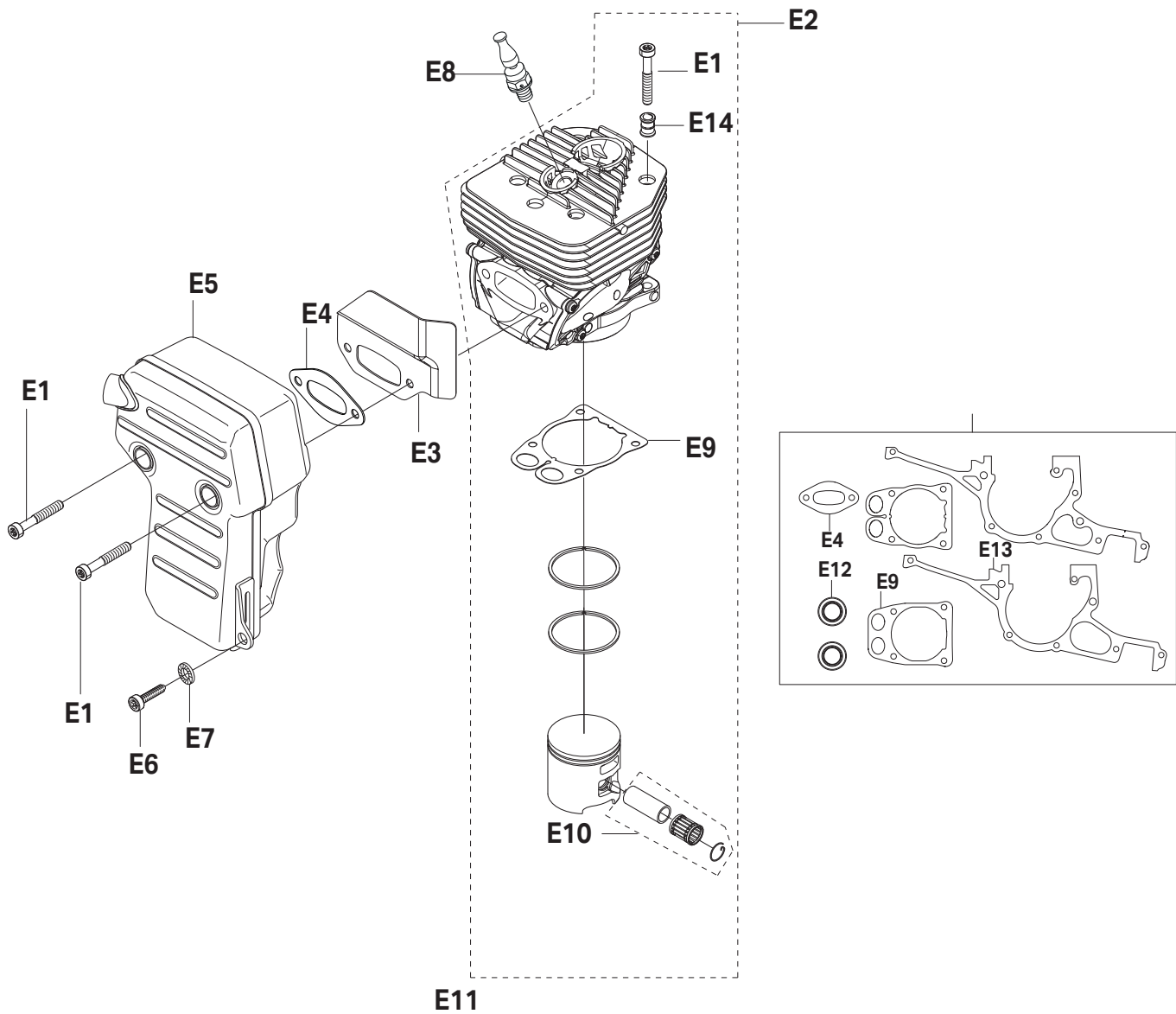
Key #	Part No.	Description	MSRP
B1	544030	STOP SWITCH SCREW	\$2.35
B2	544031	STOP SWITCH	\$21.95
B3	544032	STOP SWITCH CABLE	\$9.80
B4	544033	SPARK PLUG CAP	\$26.10
B5	544034	SPARK PLUG	\$4.15
B6	544035	PROTECTIVE SLEEVE	\$12.15
B7	544036	IGNITION MODULE	\$147.00
B8	544038	IGNITION MODULE SCREW	\$4.45
B9	544053	FLYWHEEL	\$290.00
B10	544125	STARTER PAWL KIT (INCL. TWO OF EACH ITEM)	\$46.70
B11	544058	STARTER WASHER	\$3.45
B12	544059	STARTER NUT	\$4.45



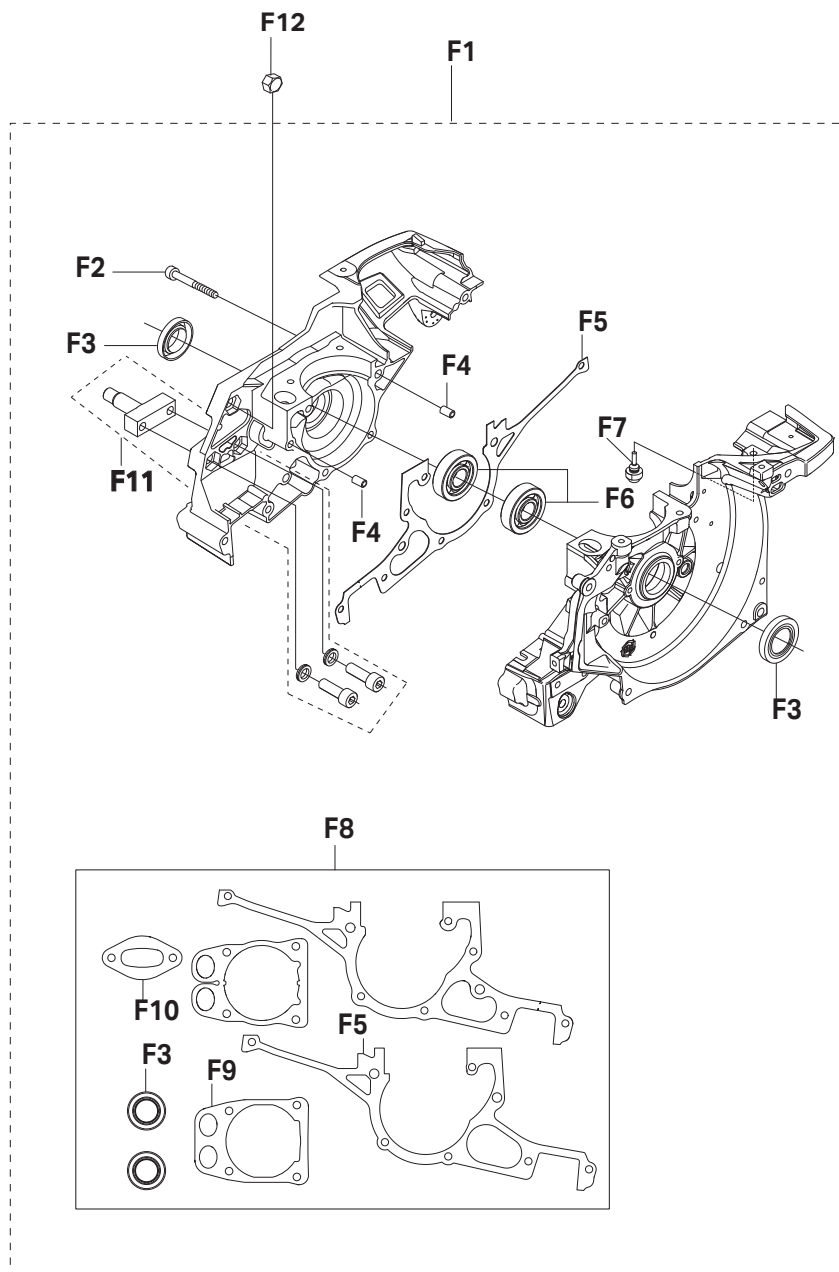
Key #	Part No.	Description	MSRP
C1	543905	RETAINING RING	\$3.35
C2	551384	SPLIT RETAINER, 695 (PAIR)	\$15.30
C3	543907	SPACER	\$15.30
C4	525496	695F4 FORCE4™ SPROCKET	\$21.25
C4	70949	695GC RIM SPROCKET	\$15.15
C5	543909	CLUTCH CUP	\$152.00
C6	543910	NEEDLE BEARING	\$18.50
C7	543911	BAR BRACKET SCREW	\$5.60
C8	543912	CRANK CASE BOLT	\$15.30
C9	544130	WALLWALKER®	\$162.00
C10	543920	WALLWALKER® SCREW	\$5.60
C11	543915	WATER PIPE	\$15.30
C12	546548	WATER PIPE SCREW	\$2.35
C13	543916	BAR BRACKET	\$225.00
C14	547856	CLUTCH KIT	\$243.00
C15	543928	CLUTCH SPRING	\$7.70
C16	544137	SHIELD	\$11.15



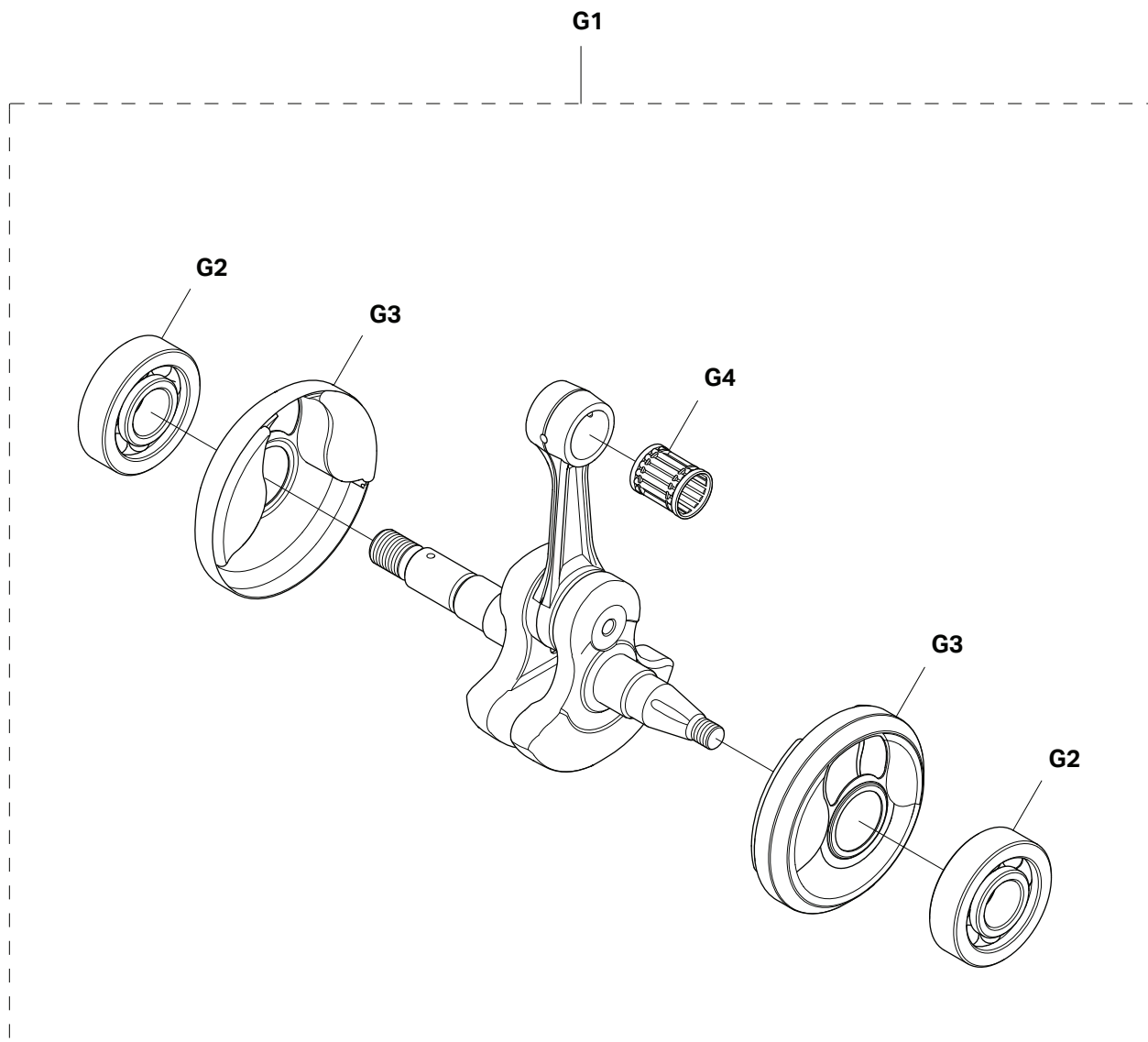
Key #	Part No.	Description	MSRP
D1	543899	SIDE COVER (INCLUDES #D2 & D3)	\$237.00
D2	543900	SIDE COVER NUT	\$27.20
D3	543901	SIDE COVER NUT CIRCLIP	\$3.35
D4	543902	TENSIONER COVER PLATE	\$14.15
D5	543903	SCREW, SIDE COVER CAP	\$1.25
D6	543904	TENSIONER	\$79.70



Key #	Part No.	Description	MSRP
E1	543942	CYLINDER/MUFFLER SCREW	\$4.45
E2	576169	PISTON/CYLINDER KIT	\$487.00
E3	543844	HEAT DEFLECTOR	\$14.15
E4	543938	MUFFLER GASKET	\$5.80
E5	543845	MUFFLER	\$50.95
E6	543846	LOWER MUFFLER MOUNTING SCREW	\$3.35
E7	543847	MUFFLER MOUNTING WASHER	\$4.45
E8	576166	DECOMPRESSION VALVE	\$36.90
E9	576165	CYLINDER BASE GASKET	\$4.45
E10	543949	NEEDLE BEARING	\$19.60
E11	543936	GASKET KIT	\$34.85
E12	543931	SEALING RING	\$15.30
E13	543933	CRANKCASE GASKET	\$29.40

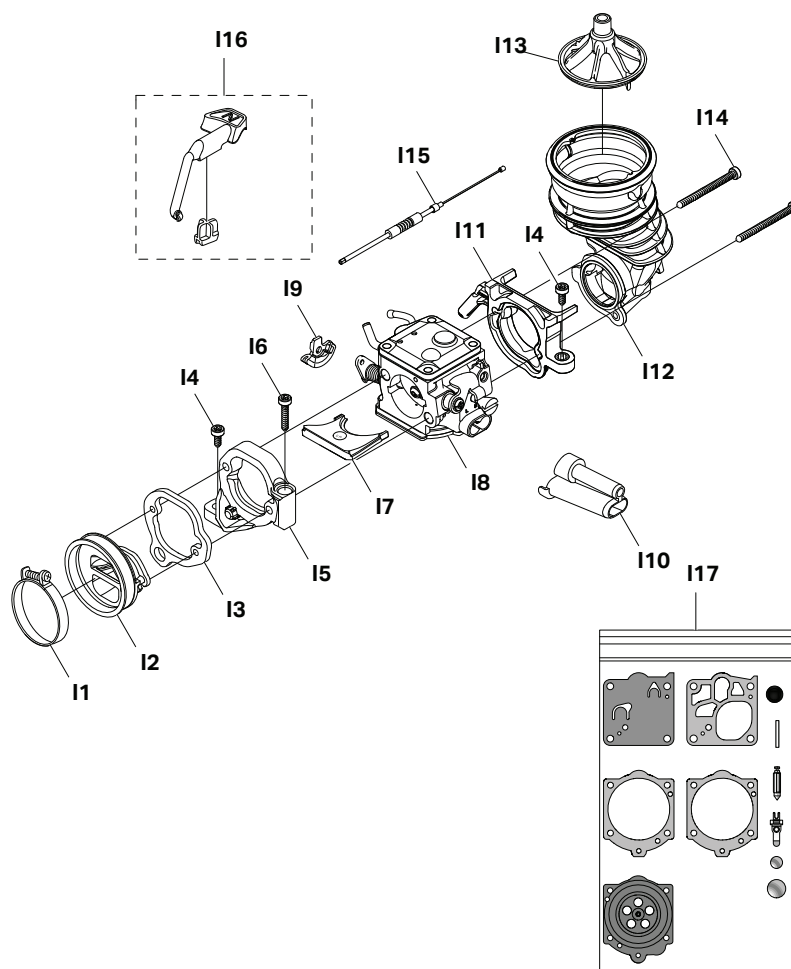


Key #	Part No.	Description	MSRP
F1	576170	CRANKCASE ASSEMBLY	\$596.00
F2	543930	CRANKCASE SCREW	\$3.45
F3	543931	SEALING RING	\$15.30
F4	543932	GUIDE BUSHING	\$4.45
F5	543933	CRANKCASE GASKET	\$29.40
F6	543934	MAIN BEARING	\$27.40
F7	543935	RUBBER BUSHING	\$4.45
F8	543936	GASKET KIT	\$34.85
F9	543937	CYLINDER BASE GASKET	\$4.45
F10	543938	MUFFLER GASKET	\$5.80
F11	544129	BAR STUD KIT	\$84.55
F12	543941	BAR BRACKET FASTENER	\$4.45

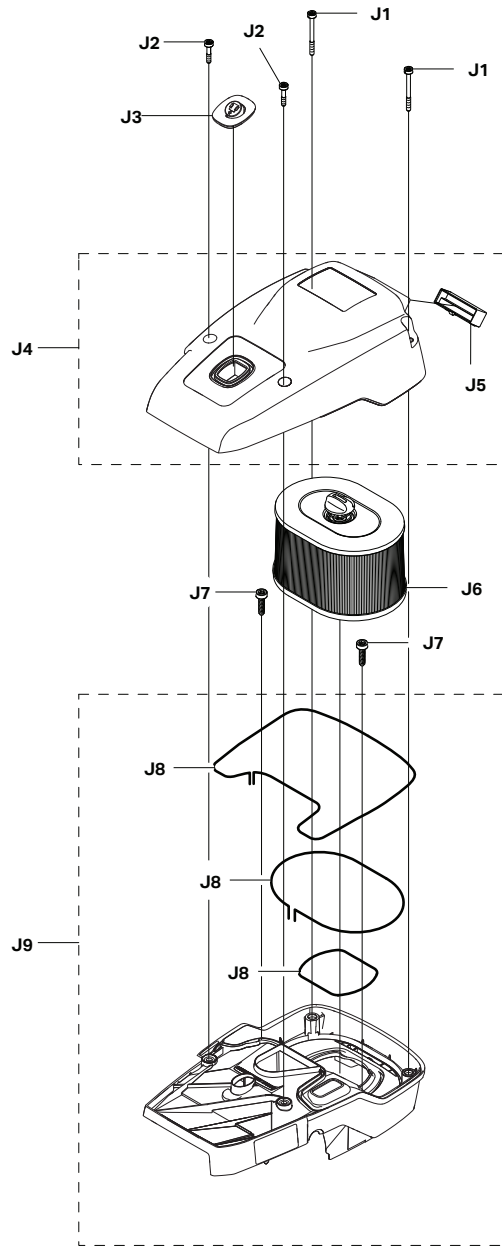


Key #	Part No.	Description	MSRP
G1	543952	CRANKSHAFT ASSEMBLY	\$319.00
G2	543934	MAIN BEARING	\$27.40
G3	543953	CRANKSHAFT SHIELD	\$25.05
G4	543949	NEEDLE BEARING	\$19.60

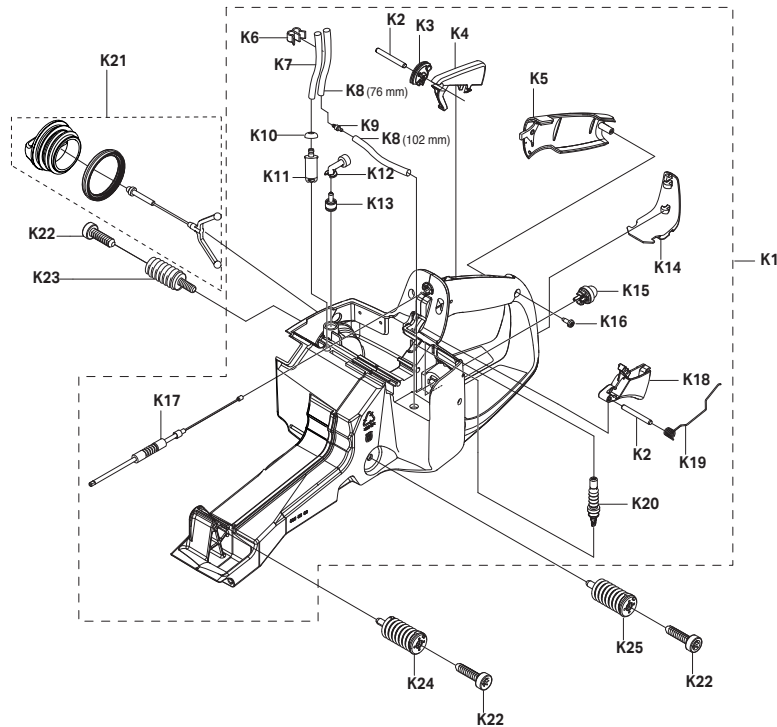
THIS PAGE INTENTIONALLY LEFT BLANK



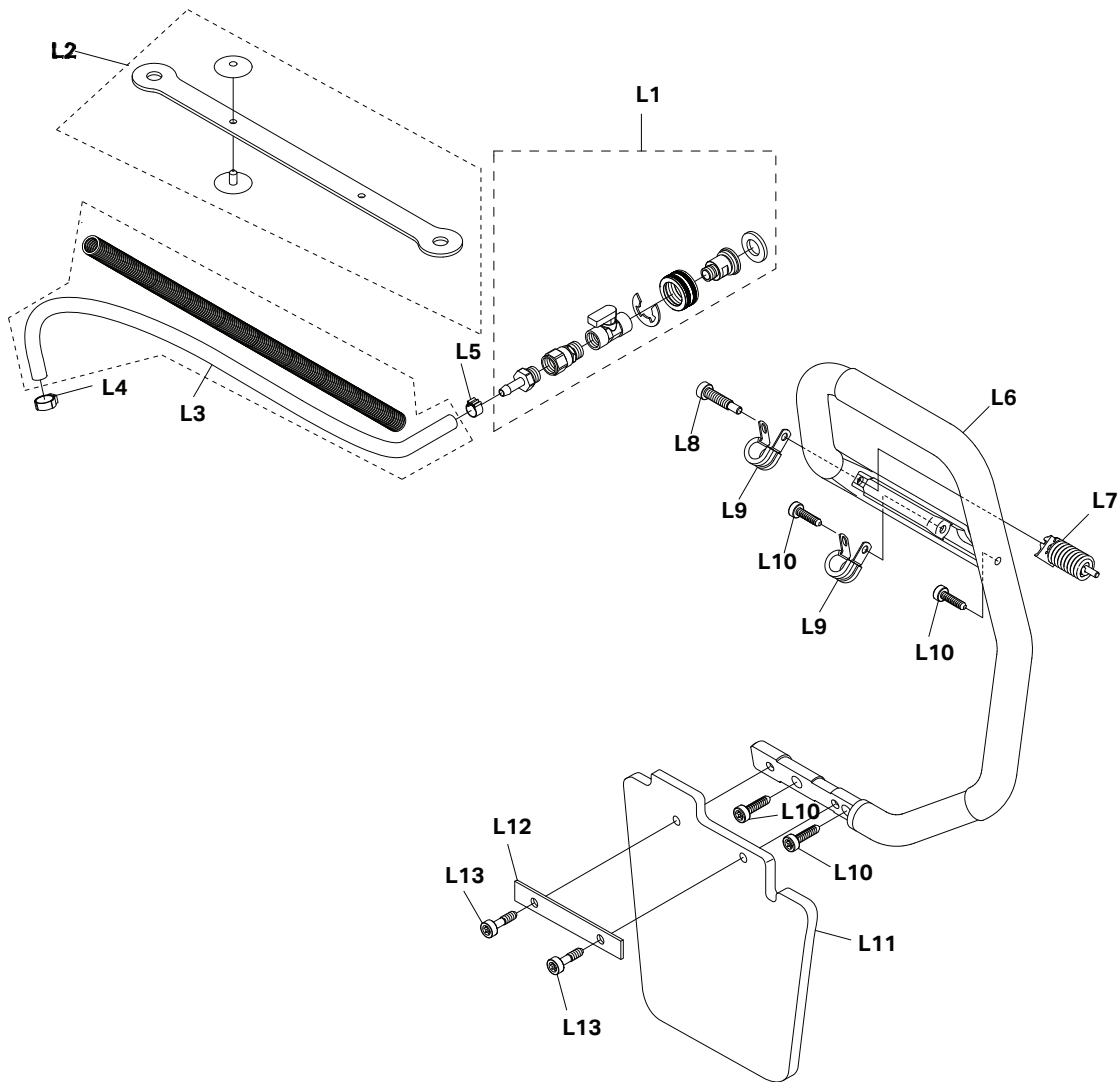
Key #	Part No.	Description	MSRP
I1	544069	INLET BOOT CLAMP	\$9.80
I2	544070	INLET BOOT	\$66.30
I3	544071	FLANGE	\$18.60
I4	544072	FLANGE CLUTCH SIDE SCREW	\$3.45
I5	544073	FLANGE BRACKET	\$19.60
I6	544065	SCREW	\$3.45
I7	544074	SEPARATOR PLATE	\$25.05
I8	544075	CARBURETOR (WALBRO RWJ-7)	\$330.00
I9	544111	THROTTLE CABLE LEVER	\$4.45
I10	576168	ADJUSTMENT GUIDE	CALL
I11	544112	MANIFOLD BRACKET	\$6.80
I12	544113	AIR INTAKE MANIFOLD	\$22.95
I13	544114	AIR FILTER BRACKET	\$9.80
I14	544115	CARBURETOR MOUNTING SCREW	\$4.45
I15	543975	THROTTLE CABLE ASSEMBLY	\$49.00
I16	544117	CHOKE LEVER	\$13.25
I17	576161	CARBURETOR REPAIR KIT (Only for 695XL, will not fit 695GC/F4/PG)	\$101.00



Key #	Part No.	Description	MSRP
J1	544060	FILTER COVER REAR SCREW	\$4.45
J2	544061	FILTER COVER FRONT SCREW	\$5.80
J3	576167	PLUG (may be required on older 695GC/F4 models)	\$7.80
J4	544062	FILTER COVER	\$34.85
J5	544063	AIR INTAKE INSERT	\$4.45
J6	544064	AIR FILTER	\$31.55
J7	544065	CYLINDER COVER SCREW	\$3.45
J8	544067	CYLINDER COVER SEALS	\$11.15
J9	544066	CYLINDER COVER ASSEMBLY	\$65.25



Key #	Part No.	Description	MSRP
K1	543812	FUEL TANK ASSEMBLY	\$152.00
K2	543813	PARALLEL PIN	\$3.35
K3	543814	CABLE LEVER	\$3.35
K4	543815	THROTTLE LOCK OUT LEVER	\$7.70
K5	543816	REAR HANDLE COVER	\$8.80
K6	543818	CLIP	CALL
K7	543993	FUEL LINE	\$9.80
K8	543994	CHECK VALVE TUBE	\$5.80
K9	543969	CHECK VALVE	\$18.60
K10	543970	HOSE CLAMP	\$4.45
K11	543971	FUEL FILTER	\$13.25
K12	544990	TANK VENT ELBOW	\$69.60
K13	544122	TANK VENT	\$18.60
K14	543972	REAR HANDLE GROUND SUPPORT	\$13.25
K15	543973	PURGE BULB	\$20.65
K16	543974	REAR HANDLE SCREW	\$2.35
K17	543975	THROTTLE CABLE ASSEMBLY	\$49.00
K18	543976	THROTTLE TRIGGER	\$6.80
K19	543977	TRIGGER SPRING	\$5.80
K20	543995	PURGE BULB TUB	\$5.80
K21	543979	GAS TANK CAP ASSEMBLY	\$13.25
K22	543981	SHOCK ABSORBER SCREW	\$3.45
K23	543982	SHOCK ABSORBER CLUTCH SIDE	\$42.05
K24	543983	SHOCK ABSORBER FRONT	\$25.05
K25	543984	SHOCK ABSORBER FLYWHEEL SIDE	\$27.40



Key #	Part No.	Description	MSRP
L1	543996	WATER HOSE VALVE ASSEMBLY	\$139.00
L2	547969	HOSE HANGER	\$26.10
L3	543999	WATER HOSE WITH PROTECTIVE COVERING	\$22.95
L4	544000	CLAMP, WATER HOSE	\$6.80
L5	544001	CLAMP, WATER HOSE VALVE SIDE	\$4.45
L6	544002	FRONT HANDLE	\$520.00
L7	544003	SHOCK ABSORBER, FRONT HANDLE	\$27.40
L8	543981	SCREW, SHOCK ABSORBERS	\$3.45
L9	544008	CLIP, FRONT HANDLE	\$5.80
L10	544009	SCREW, FRONT HANDLE	\$4.45
L11	576679	MUD FLAP	\$48.00
L12	544011	BACKING PLATE, MUD FLAP	\$15.30
L13	544012	SCREW, MUD FLAP	\$3.45

695XL Replacement Parts & Accessories Price List

**ICS, Blount Inc.
4909 SE International Way
Portland, OR 97222
800.321.1240
icsdiamondtools.com**