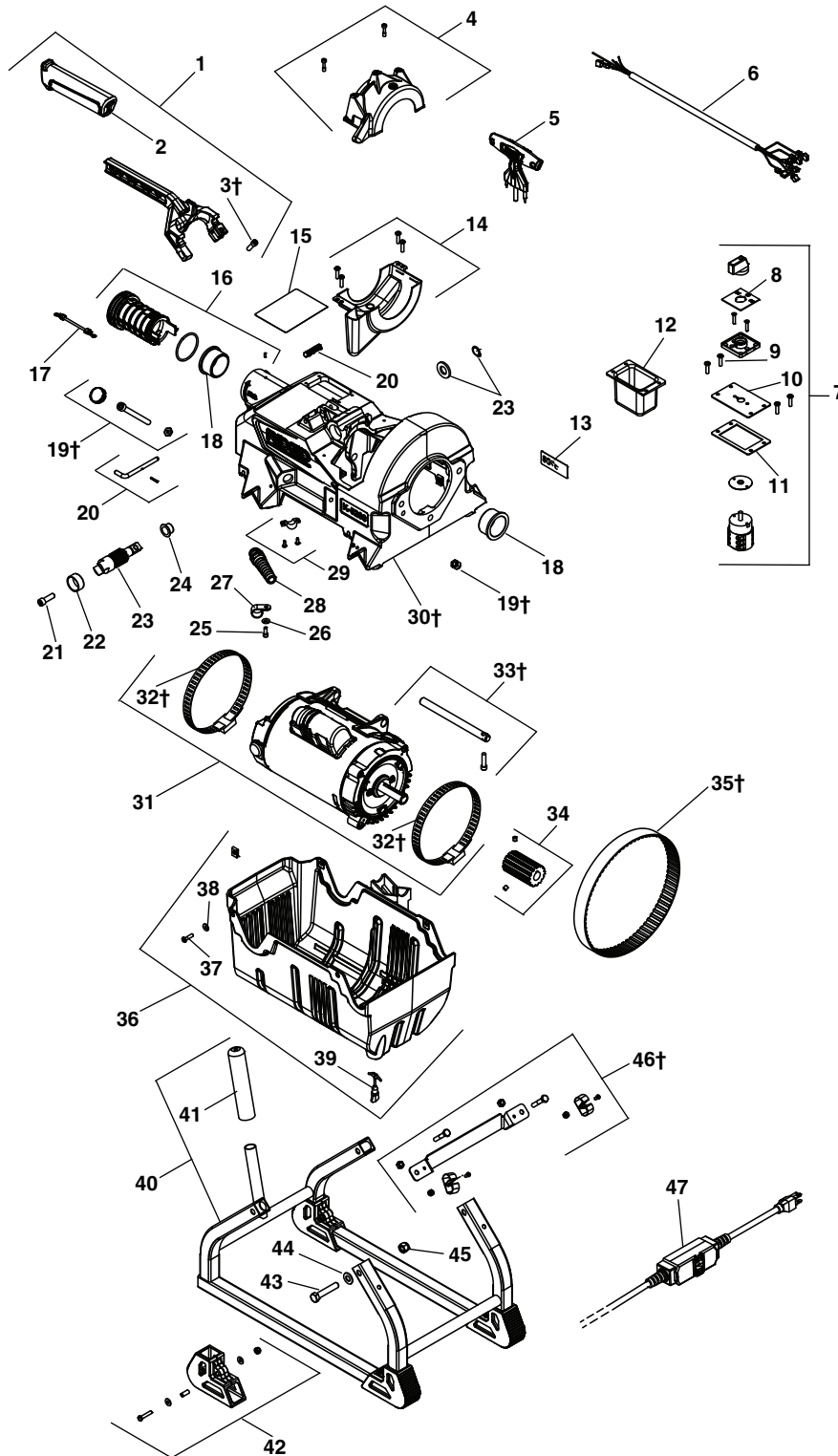


Main Housing

**NOTE: Order parts by Catalog Number only.
DO NOT order by Reference Number.**



Ref. No.	Catalog No.	Description
1	63438	Handle Assembly
2	63323	Hand Grip
3†	60910	Screw SHC ¼-20 x ¾
4	63443	Clutch Cover Assembly
5	61718	Cable Decoupler
6	63478	Wire Harness
7	63453	Switch Assembly
8	63338	Switch Faceplate
9	93585	Screw #10-24 UNC-2A (4)
10	63148	Switch Cap
11	66887	Switch Cap Gasket
12	65757	Switch Enclosure
13	63388	K-5208 Decal (2)
14	63448	Drip Tray Assembly
15	63393	Warning Label
16	62003	Nosepiece Assembly
17	63003	Ground Wire Assembly
18	63218	Main Housing Bushing Set (2)
19†	63463	Belt Tension Assembly
20	63468	Latch Pin Assembly
21	61020	Screw SHC ⅜-18 x 1
22	63298	Pinion Large Bushing
23	63473	Handle Pinion Assembly
24	63303	Pinion Small Bushing
25	40260	Screw #10-24 UNRC-3A x ½"
26	45365	Washer .203 x .5 x .065
27	75937	Cord Clamp
28	65817	Strain Relief With Locknut
29	63368	Connector With Screws
30†	63458	Housing Assembly (Inc. 13, 15, 18, 24)
31	63488	Motor Assembly
32†	65812	Mounting Bands
33†	63483	Motor Mount Assembly
34	63233	Motor Pinion Assembly
35†	63313	Belt 285L100
36	63493	Motor Cover Assembly
37	93585	Pan Head Screw 10-24 x ¾ (4)
38	45365	Washer (4)
39	56973	Drain Plug
40	63498	Frame Assembly
41	63418	Frame Handle Grip
42	63508	Frame Bumper Assembly
43	43992	Screw ⅜-16 x 2" (4)
44	63373	Washer .406 x .812 x .06 (4)
45	43947	Lock Nut ⅜" (4)
46†	63503	Cord Mount Assembly
47	50507	Power Cord GFCI 115V

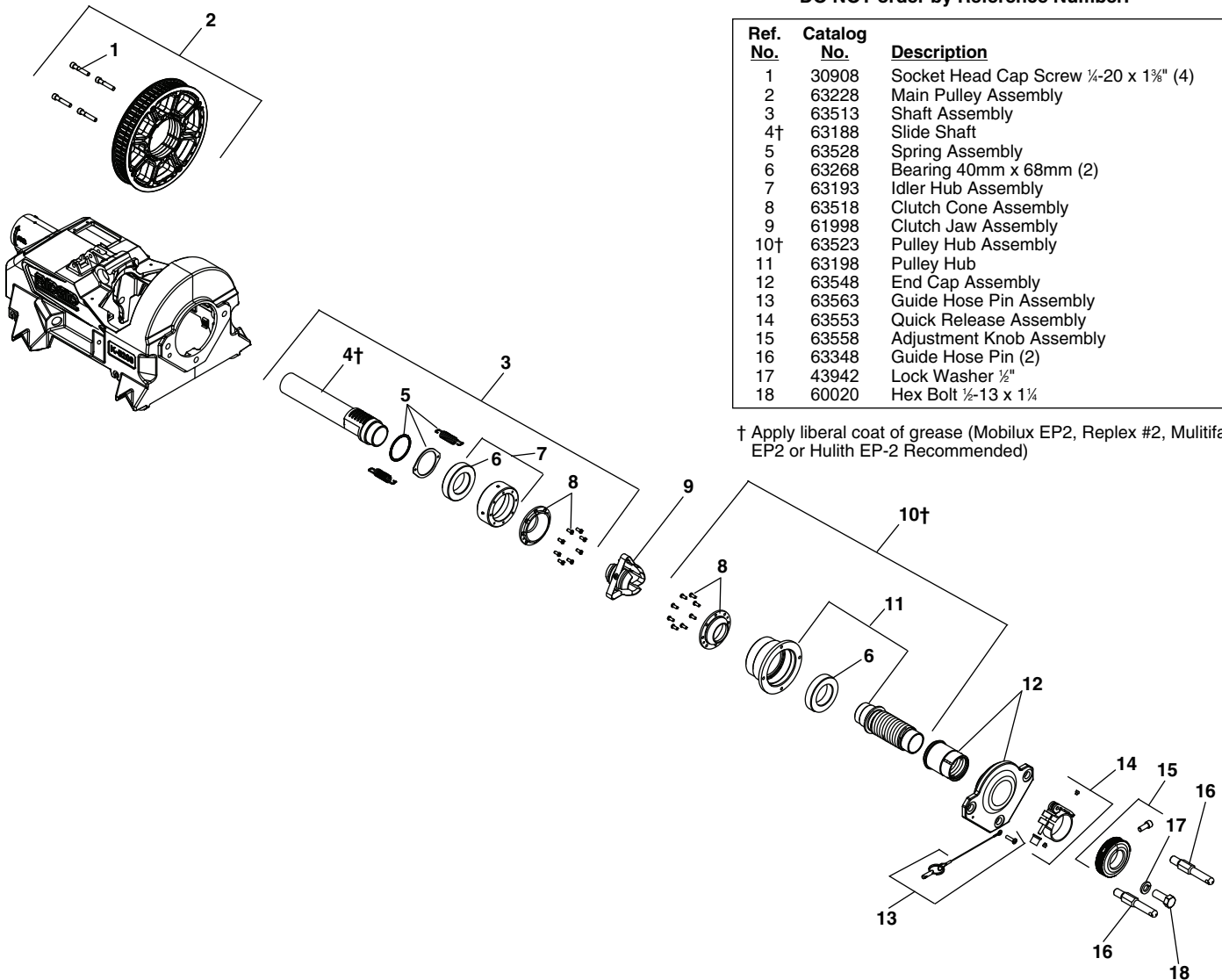
† Reference No. 3, 32, 33 & 46 Tighten to 45-60 in/lbs
 † Reference No. 19 & 35 Without unit running turn belt tension bolt (19) until acorn nut just touches motor, then turn 1/4 turn more and tighten jam nut (19).
 † Reference No. 30 Includes 13, 15, 18 & 24.

Drive Shaft

**NOTE: Order parts by Catalog Number only.
DO NOT order by Reference Number.**

Ref. No.	Catalog No.	Description
1	30908	Socket Head Cap Screw ¼-20 x 1 ½" (4)
2	63228	Main Pulley Assembly
3	63513	Shaft Assembly
4†	63188	Slide Shaft
5	63528	Spring Assembly
6	63268	Bearing 40mm x 68mm (2)
7	63193	Idler Hub Assembly
8	63518	Clutch Cone Assembly
9	61998	Clutch Jaw Assembly
10†	63523	Pulley Hub Assembly
11	63198	Pulley Hub
12	63548	End Cap Assembly
13	63563	Guide Hose Pin Assembly
14	63553	Quick Release Assembly
15	63558	Adjustment Knob Assembly
16	63348	Guide Hose Pin (2)
17	43942	Lock Washer ½"
18	60020	Hex Bolt ½-13 x 1 ¼

† Apply liberal coat of grease (Mobilux EP2, Replex #2, Multiifac EP2 or Hulith EP-2 Recommended)



Wiring Diagram 115 Volt, 60 Hz

