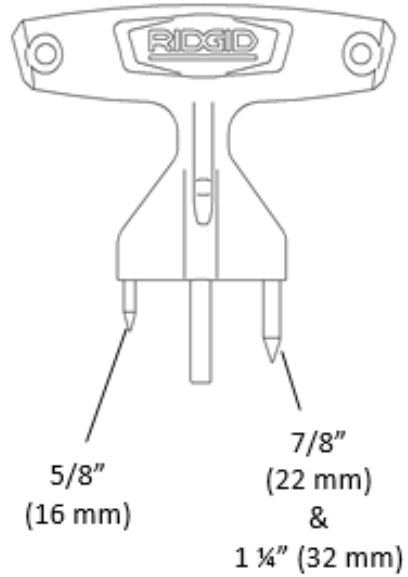
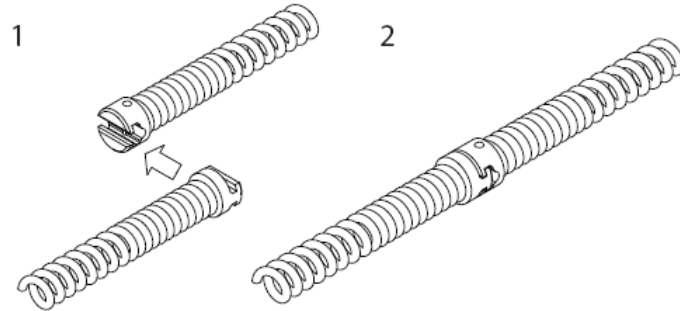


Connecting/Disconnecting Sectional Cable Couplings



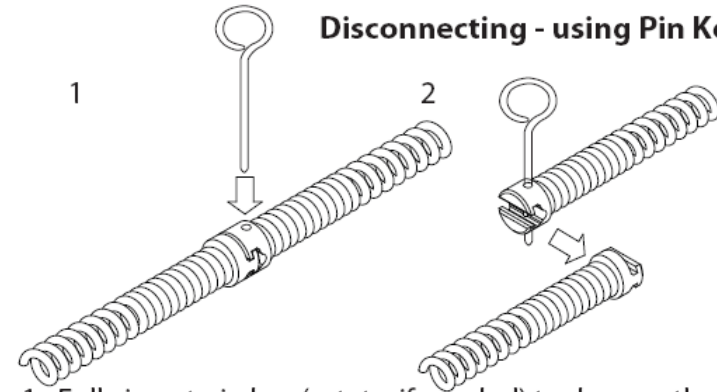
Keep couplings clean and lubricated. Plunger pin must move freely and fully extend to secure connection.

Connecting



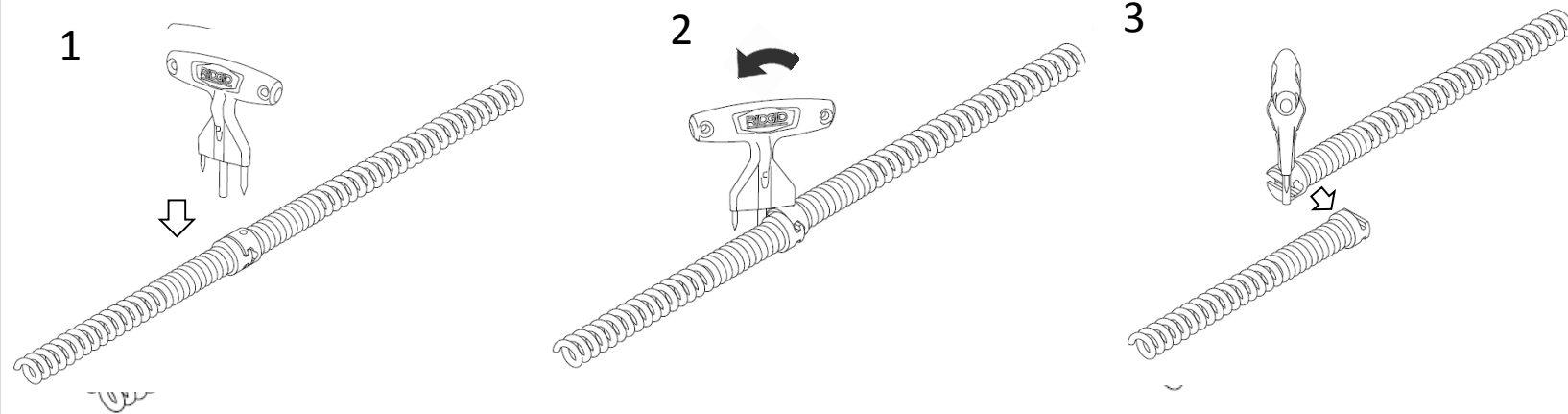
1. Slide the couplings together.
2. Confirm connection is secure. (plunger pin fully extended).

Disconnecting - using Pin Key



1. Fully insert pin key (rotate, if needed) to depress the plunger pin.
2. Slide couplings apart.

Disconnecting - using Decoupler



1. Fully insert decoupler (tapered end) to depress the plunger pin.
2. Rotate decoupler to contact other coupling.
3. Continue rotating decoupler to slide couplings apart.