



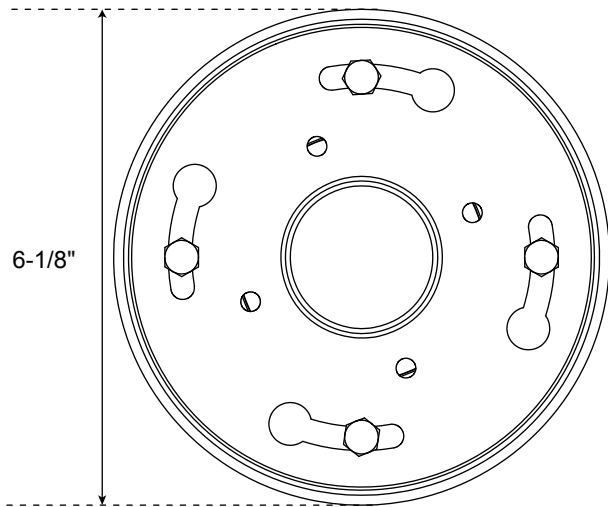
SPECIFICATIONS

Flange Dimensions	6-1/8" diameter x 2-7/8" H
Strainer Dimensions	4-1/4" diameter x 2-1/8" H

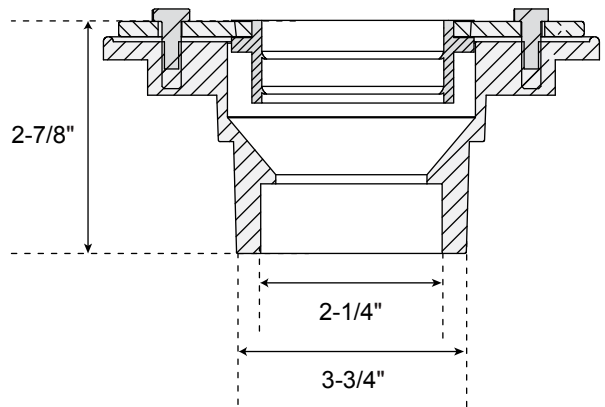
PVC Drain Flange

All measurements are approximate. Measurements may vary +/- 1/2".

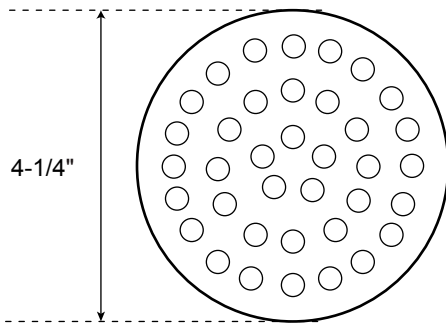
Drain Flange Top



Drain Flange Side



Strainer Top



Strainer Side

