

COUPLER RINGS AND MALE ENDS

Rings with Nuts and Bolts

Required for both single and double end couplers. Price includes Rings and zinc plated nuts and bolts. Latches are packaged and priced separately.

2" & 3" Aluminum

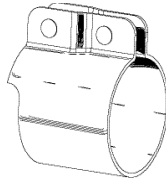


Part Number Size Weight

2" and 3" Aluminum Rings supplied with 5/16" x 1-1/2" Carriage Bolt and Heavy Hex Nut.

8-2 RNB 2" 0.6 lb.
8-3 RNB 3" 0.7 lb.

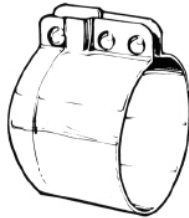
4" Aluminum



4" Aluminum Rings supplied with (1) 5/16" x 1" Carriage Bolt and Heavy Hex Nut and (1) 5/16" x 1-1/2" Carriage Bolt and Heavy Hex Nut.

8-4URNB 4" 0.8 lb.

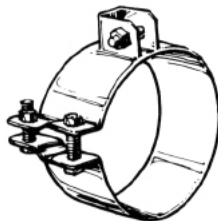
5" & 6" Aluminum



5" and 6" Rings supplied with (2) 3/8" x 1-1/4" Carriage Bolts and Heavy Hex Nuts and (1) 3/8" x 1-3/4" Carriage Bolt and Heavy Hex Nut.

8-5URNB 5" 1.4 lb.
8-6URNB 6" 1.7 lb.

7" & 8" Steel



7" and 8" Rings supplied with (1) 1/2" x 1-3/4" Capscrew and Heavy Hex Nut and (2) 1/2" x 2" Capscrew and Heavy Hex Nut. 7" and 8" Rings are warranted to 75 PSI only. For higher pressures see Weld-On Male Ends located in the Mainline Section.

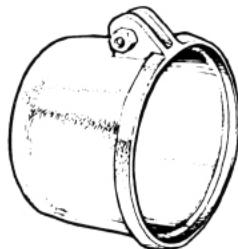
8-7SRNB 7" 4.5 lb.
8-8SRNB 8" 4.9 lb.

Weld-On Male Ends with Nuts and Bolts Only

Part Number Size Weight

7" and 8" Aluminum

8-7 WMNB 7" 3.1 lbs.
8-8 WMNB 8" 4.1 lbs.



7" & 8" Aluminum

Swivel Rings with Nuts and Bolts

Required for Reversible Tees and Elbows, MXFR Series. Rings include zinc plated nuts and bolts. Latches packaged and priced separately.

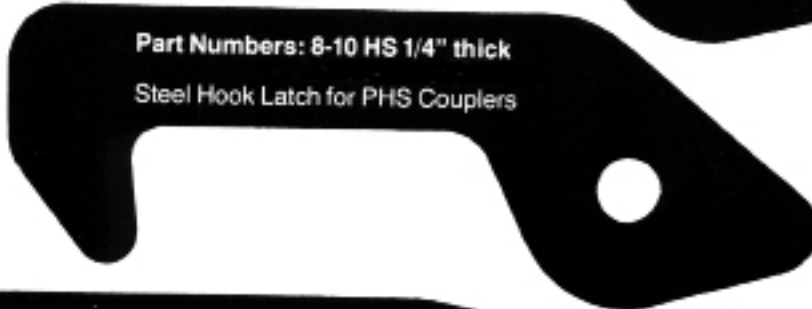
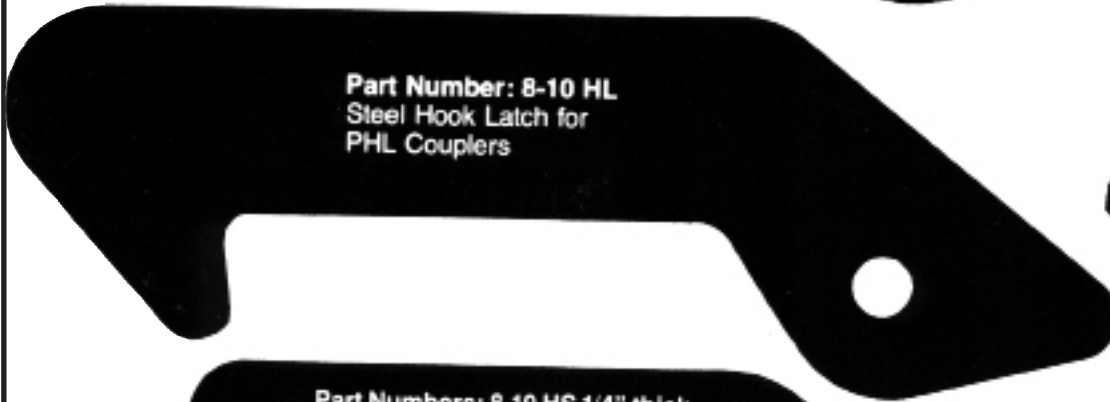
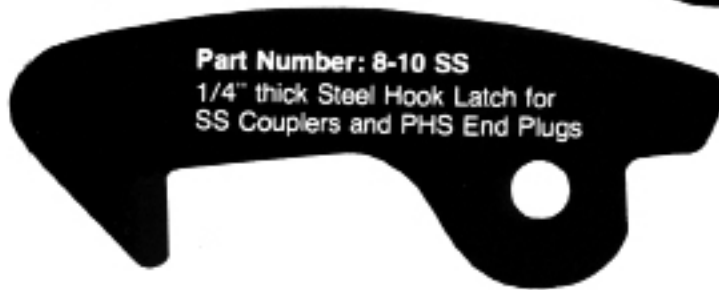
2", 3" 4", 5" & 6" Aluminum



One piece Aluminum Swivel Rings: Two piece Galvanized Steel Swivel Rings:

Part Number	Size	List Price Ea.	Part Number	Size
8-2SR	2"	\$ 3.42	8-5SR	5"
8-3SR	3"	4.07	8-6SR	6"
8-4SR	4"	6.88	Order by pipe size.	

**HOOK LATCH
IDENTIFICATION
SHEET**



COUPLER LATCHES, SPACERS AND HALF CLAMPS



For easy identification of Hook Latches, see full-size drawings on "Hook Latch Identification" page. (Previous page)

Hook Style Latches

Part Number	Description	Weight	Pieces per Carton
8-10 F	Manganese Bronze	1.2 lbs.	16
8-10 SS	Steel for PSS Couplers	0.1 lbs.	100
8-10 HL	Steel for PHL Couplers	0.5 lbs.	48
8-10 HS	Steel for PHS Couplers	0.4 lbs.	100
8-10 G	Steel for PHL End Plugs	0.3 lbs.	48

Spring Loaded Latch Assembly

For use with PSS Couplers and Universal "U" Series Hook Couplers



8-10 HSW (obsolete)

Part Number	Description	Weight	Pieces per Carton
8-10 HU	Latch for UP and UW Coupler	0.5 lbs.	100
*8-10 ST	Latch for PSS Coupler (obsolete)	0.2 lbs.	100
*8-10 HST	3/16" Steel Hook Latch (obsolete)	0.2 lbs.	100
8-10 SU	Spring for UP and UW Coupler	1.0 oz.	100
8-10 SP	Spring for PSS Coupler	1.0 oz.	100

***3/16 thick latches are obsolete, use 8-10SS and 8-10HS**

SpacerWasher for Hook Latches

For use with obsolete 8-10ST and 8-10 HST hook latches

Part Number	Weight
8-10 HSW	.062 lbs.

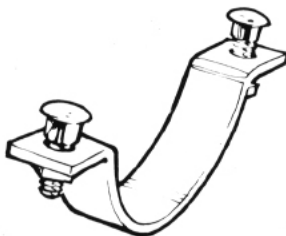
use 9401400260 1-1/4 OD X 5/16 ID Fender Washer (2 required)

"C" Series Half Clamps for "S" Series Bolt-On Couplers

One clamp required per coupler.

8-2 C, 8-3 C, & 8-4 C require (2) 5/16" x 1" Carriage Bolts and Nuts

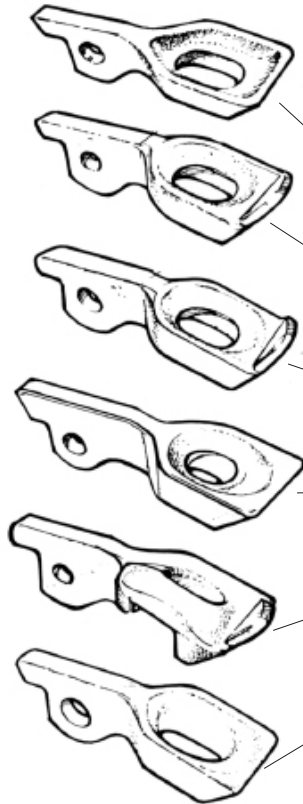
8-5 C & 8-6 C require (2) 5/16" x 1-1/2" Carriage Bolts and Nuts



Part Number	Weight	Size
8-2 C for 121S	0.25 lbs.	2"
8-3 C for 131S	0.30 lbs.	3"
8-4 C for 141S	0.40 lbs.	4"
8-5 C for 151S	1.00 lbs.	5"
8-6 C for 161S	1.00 lbs.	6"

COUPLER LATCHES

Knob Style Latches

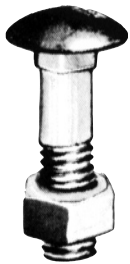


Part Number	Description	Tube Size	Hole Size	Weight
8-10 BX Bronze..... Positive Style	5", 6"	3/8"	0.5 lb.
8-10 CX	.. Cast Aluminum Positive Style	.. 2", 3", 4" 5/16" 0.25 lb.
8-10 DX	.. Cast Aluminum Positive Style 5", 6" 3/8" 0.3 lb.
8-10 SG	.. Cast Aluminum Speedmatic	.. 2", 3", 4" 5/16" 0.3 lb.
8-10 SO	.. Cast Aluminum Positive Style 3", 4" 5/16" 0.3 lb.
8-10 E Bronze..... Positive Style 7" 1/2" 0.4 lb.

Note: For 8' Aluminum Mainline couplers, see 8-10F Hook Style Latch, page 3.

Fasteners—Note: When ordering, Part Numbers correspond to the Unit Quantity Shown.

Special grade Carriage Bolts and Heavy Hex Nuts are for use with Wade Rain Ring and Latch sets. All other fasteners are standard Grade 2. All fasteners are zinc plated for durability. All sizes are available in bulk packaging. Call for current prices on bulk quantities.



Part Number	Use	Description	Box Qty
9401050260 Rings.....	5/16" x 1" Carriage Bolt.....	100.....
9401060280 Rings.....	5/16" x 1-1/2" Carriage Bolt	100.....
9401050480 Rings.....	3/8" x 1-1/4" Carriage Bolt	100.....
9401060500 Rings.....	3/8" x 1-3/4" Carriage Bolt	100.....
9401010870 Rings.....	1/2" x 1-1/2" CS	100.....
9401010890 Rings.....	1/2" x 2" CS.....	100.....
9401220110 2",3",4" Rings	5/16" Heavy Hex Nut.....	100.....
9401220120 5" & 6" Rings	3/8" Heavy Hex Nut.....	100.....
9401220140 7" & 8" Rings	1/2" Heavy Hex Nut.....	100.....
9401010470 Wheels.....	3/8" x 1" Capscrew	100.....
9401200120 Wheels.....	3/8" Auto Hex Nut.....	100.....
9401010500 Poweroll Couplers	3/8" x 1-3/4" Capscrew	100.....
9401400120 58 Series Couplers	3/8" Flat Washer	1
9401410120 48 Series Couplers	3/8" Lock Washer	1
11504-12 Wheels.....	3/8" Auto Hex Nut.....	4000.....
11504-13 Wheels.....	3/8" x 1" Capscrew.....	1200.....

GASKETS



Wade'Rain fittings feature controlled draining with a gasket designed for every irrigation use. Correct gasket selection assures the degree of draining required for best coupler performance.
INTERCHANGEABLE GASKETS: Gaskets can be interchanged to control the degree of draining. For example, Mainline gaskets could be used in lateral line couplers to drain the line slowly in place of Fast Drain gaskets which are standard.
 Only gaskets with cross sections 1, 2 or 3 are interchangeable.
Note: Do not substitute irrigation gaskets for Quicklock application.

Cross Section	Mostly Used On	Color	Key	Drainage	Sizes	Seal Pressure	Max. Working Pressure
#1	Lateral Line	Black	L	Normal Fast	3" thru 6"	3 to 4 psi	125#
#1	Mainline	Black	M	Normal Slow	2" thru 10"	2 to 3 psi	125#
#2	Flow Line	Black	MT	Very Slow	2" thru 6" 8" and 10"	0 psi	125#
Non Drain							
#3	Powerroll	Black	F	Very Fast	3" thru 5"	5 to 6 psi	125#
#4	Bolt-on Lateral	Black	J	Slow	1-1/2" thru 6"	1 to 2 psi	125#

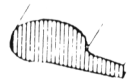


#1 CROSS SECTION (L&M)
LATERAL LINE GASKETS
(Normal Fast)

Gasket No.	Size	Material	Weight
10-6-3L	3"	Molded Rubber	1.0 oz...
10-6-4L	4"	Molded Rubber	1.5 oz...
10-6-5L	5"	Molded Rubber	2.0 oz...
10-6-6L	6"	Molded Rubber	3.0 oz...

MAINLINE GASKETS
(Normal Slow)

Gasket No.	Size	Material	Weight
10-6-2M	2"	Molded Rubber	0.5 oz...
10-6-3M	3"	Molded Rubber	1.0 oz...
10-6-4M	4"	Molded Rubber	1.8 oz...
10-6-5M	5"	Molded Rubber	2.0 oz...
10-6-6M	6"	Molded Rubber	3.0 oz...
10-6-7M	7"	Molded Rubber	3.8 oz...
10-6-8M	8"	Molded Rubber	4.5 oz...
10-6-10M	10"	Molded Rubber	5.5 oz...



#2 CROSS SECTION (MT)
SOLID SET & FLOW LINE GASKETS
(Very Slow)

Gasket No.	Size	Material	Weight	List Price Ea.
10-6-2MT	2"	Molded Rubber	1.0 oz...	
10-6-3MT	3"	Molded Rubber	1.5 oz...	
10-6-4MT	4"	Molded Rubber	2.0 oz...	
10-6-5MT	5"	Molded Rubber	2.5 oz...	
10-6-6MT	6"	Molded Rubber	3.0 oz...	
10-6-8MT	8"	Molded Rubber	4.5 oz...	
10-6-10MT	10"	Molded Rubber	5.5 oz...	

CHEVRON GASKETS

Part No.	Size	Weight
10-6-3U	3"	0.1 lbs.....



#3 CROSS SECTION (F)
LATERAL LINE & POWERROLL GASKETS
(Very Fast)

Gasket No.	Size	Material	Weight
10-6-3F	3"	Molded Rubber	1.0 oz...
10-6-4F	4"	Molded Rubber	1.5 oz...
*10-6-4/5F	4-1/2"	Molded Rubber	1.7 oz...
10-6-5F	5"	Molded Rubber	2.0 oz...

*Order for all 58 Series Couples



#4 CROSS SECTION (J)
BOLT-ON END COUPLER GASKETS
(Couplers having double bolt type clamp)
Replaces "O" Ring Gaskets

Gasket No.	Size	Material	Weight
10-6-2J	2"	Molded Rubber	1.0 oz...
10-6-3J	3"	Molded Rubber	1.5 oz...
10-6-4J	4"	Molded Rubber	2.0 oz...
10-6-5J	5"	Molded Rubber	2.5 oz...
10-6-6J	6"	Molded Rubber	3.0 oz...

SOLID SET GASKETS

10-6-1J	1-1/2"	Molded Rubber	0.5 oz....
---------	--------	---------------	------------

POWERROLL HUB ADAPTER GASKET

Gasket No.	Size	Material	Weight
50-28	4" & 5"	Reinforced Rubber	2.0 oz....

DRESSER TYPE GASKETS

For use with Wade'Rain Foot Valves and Suction Elbows

Part No.	Size	Weight
10-6-3K	3"	0.1 lbs.....
10-6-4K	4"	0.2 lbs.....
10-6-5K	5"	0.25 lbs.
10-6-6K	6"	0.4 lbs.....
10-6-8K	8"	0.5 lbs.....

VALVES AND MISCELLANEOUS



Foot Valve Parts

SAFETY RING AND LINK

Part Number	Size	Weight
9-20-3	3"	0.8 lbs.
9-20-4	4"	0.8 lbs.
9-20-5	5"	1.0 lbs.
9-20-6	6"	1.1 lbs.
9-20 ...Safety Link, only ...	All	.3 lbs.

VALVE SCREEN

Part Number	Size	Weight
9-13-3	3"	0.5 lbs.
9-14-3	4"	1.0 lbs.
9-15-3	5"	1.5 lbs.
9-16-3	6"	1.5 lbs.

FLAPPER ASSEMBLY

Part Number	Size	Weight
10-9-1-3	3"	0.8 lbs.
10-9-1-4	4"	0.8 lbs.
10-9-1-6	5" & 6"	1.0 lbs.



RUBBER FLAPPER

Part Number	Size	Weight
10-9-2-3	3"	0.1 lbs.
10-9-2-4	4"	0.25 lbs.
10-9-2-6	5" & 6"	0.5 lbs.

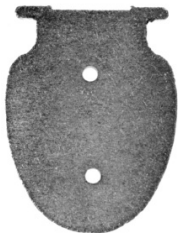
HINGE SCREW

Part Number	Size	Weight
4227	All	1.0 oz.



UPPER STEEL DISC

Part Number	Size
10-9-3-3	3"
10-9-3-4	4"
10-9-3-5	5" & 6"



LOWER STEEL DISC

Part Number	Size
10-9-4-3	3"
10-9-4-4	4"
10-9-4-6	5" & 6"

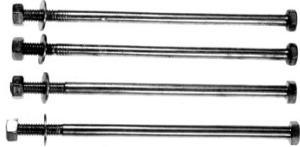


TOP CLAMP RINGS

Part Number	Size	Weight
9-13-C1	3"	0.5 lbs.
9-14-C1	4"	0.7 lbs.
9-15-C1	5"	0.9 lbs.
9-16-C1	6"	1.1 lbs.
9-18-C1	8"	1.3 lbs.



Parts for Cast Aluminum Coupling for Dresser Type Connections



Bolt, Nut & Washer

Part Number

Flanges

- SFC-10F
- SFC-2F
- SFC-3F
- SFC-4F
- SFC-5F
- SFC-6F
- SFC-8F



Sleeve Casting

- SFC-10B
- SFC-2B
- SFC-3B
- SFC-4B
- SFC-5B
- SFC-6B
- SFC-8B



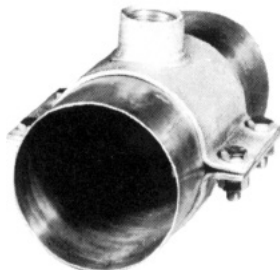
Ring Gasket

- SFC-10G
- SFC-2G
- SFC-3G
- SFC-4G
- SFC-5G
- SFC-6G
- SFC-8G



Parts for Center Riser Outlet

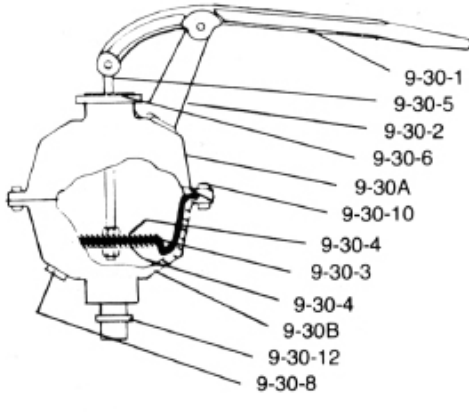
Part Number Description



- 13-3B Bottom.....
- 13-3T Top
- 13-4B Bottom.....
- 13-4T Top
- 13-5B Bottom.....
- 13-5T Top
- 13-6B Bottom.....
- 13-6T Top
- 13-8B Bottom.....
- 13-8T Top
- 4506-1 O'Ring fits all sizes
- 9401010470 ... 3/8 x 1 C S
- 9401200120 ... 3/8 Auto Hex Nut

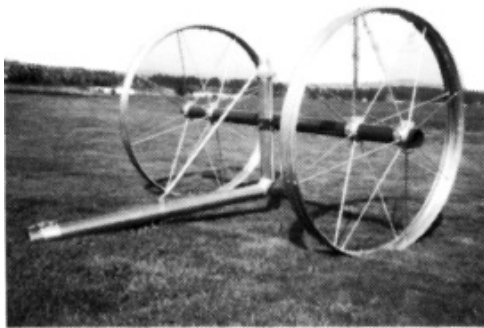
VALVES AND MISCELLANEOUS

9-30 Diaphragm Pump Parts



Part Number	Description	Required	Weight
9-30A	Body, top half	1	2.0 lbs.
9-30B	Body, lower half	1	2.0 lbs.
9-30-1	Handle	1	1.0 lbs.
9-30-2	Handle Support	1	0.5 lbs.
9-30-3	Rubber Diaphragm	1	0.4 lbs.
9-30-4	Steel Diaphragm	2	0.6 lbs.
9-30-5	Connecting Rod & Nut	1	0.3 lbs.
9-30-6	Handle Bracket Lock Nut	1	0.4 lbs.
9-30-8	Rubber Discharge Valve	1	0.1 lbs.
9-30-12	Ball Check Valve w/Ball	1	0.2 lbs.
9-30-13	3/4" Stainless Ball only	1	0.1 lbs.

5000 Series Big Gun Cart



Part Number	Description
13-4B	Clamp Bottom
6069-3	Center Tube (axle)
6074-7	Center Journal
6100	Main Tube, 4" inlet
6103	Main Tube, 3" inlet
6101	Brace
70-4	Tail Wheel Clamp (6 required)
8-4URNB	Ring Set 4"
8-3RNB	Ring Set 3"
8-10DX	Positive Latch (Knob Style)
8-10G	Hook Style Latch

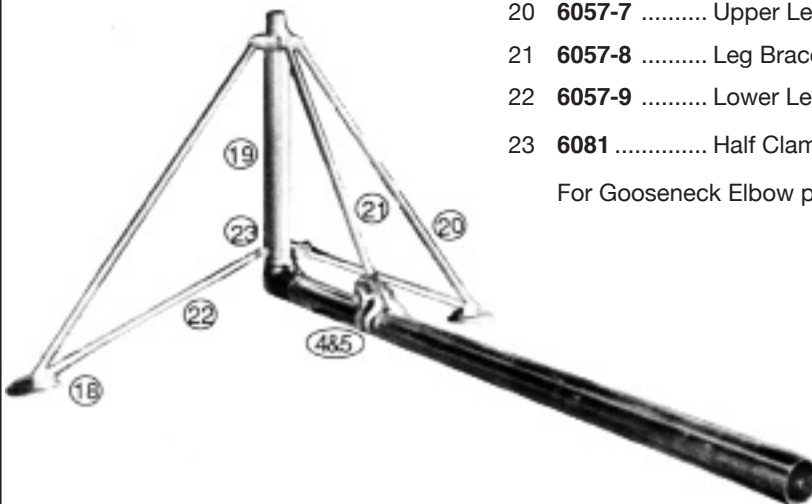
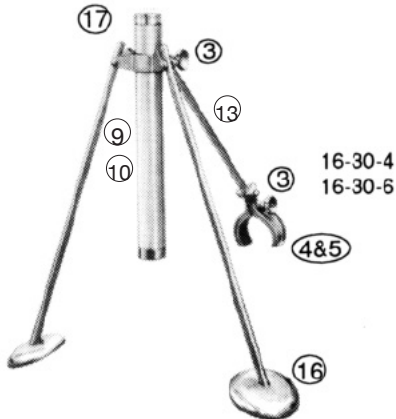
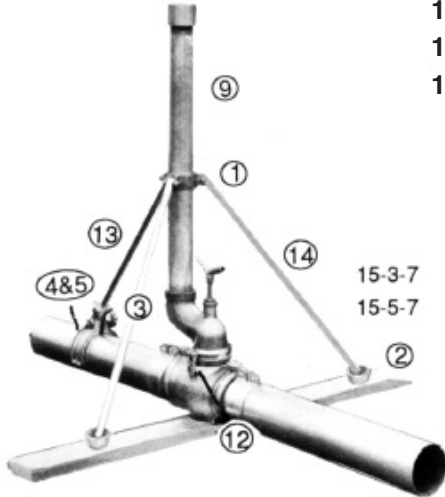
For Big Gun Cart Wheels, refer to page 6 (Powerroll section)

Stands for Giant Sprinklers

15 Series Tripod Sprinkler Stands (Obsolete)

16 Series Tripod Sprinkler Stands

17 Series Tripod Sprinkler Stands



Part Number	Description	Weight
No.		
1 15-5-2 Tripod Bracket for 3" Riser Pipe.....	3.0 lbs.....
2 15-5-3 Tripod Cups (2 required).....	0.7 lbs.....
3 15-5-4 Knob.....	0.5 lbs.....
4 15-3-6A&B	... Pipe Clamp w/Bolt for 3" & 4" tubing...	1.5 lbs.....
5 15-5-6 A&B	.. Pipe Clamp w/Bolt for 5" & 6" tubing...	1.6 lbs.....
6 15-5-4-2 3/8"x4" SS Cap screw.....	0.2 lbs.....
9 15-5-8 3"x30" Aluminum Riser Pipe, TBE.....	6.5 lbs.....
10 15-5-9 3"x72" Aluminum Riser Pipe, TBE.....	16.0 lbs.....
11 15-5-10 Set of 5 Nuts & Bolts for each Tripod...	0.2 lbs.....
12 15-3-9 Clevis (2 required).....	0.1 lbs.....
13 15-5-12 Leg - 30".....	2.0 lbs.....
14 15-3-10 Leg - 36".....	2.4 lbs.....
15 16-5-0 Bolt Pack, includes 15-5-4 knob.....
16 16-5-11 Leg with Pad.....
17 16-5-2A Riser Clamp.....
18 6057-4 Base Shoe.....
19 6057-6 Riser Assembly for 17-3 (3" inlet).....
19 6057-20 Riser Assembly for 17-4 (4" inlet).....
20 6057-7 Upper Leg.....
21 6057-8 Leg Brace.....
22 6057-9 Lower Leg.....
23 6081 Half Clamp.....

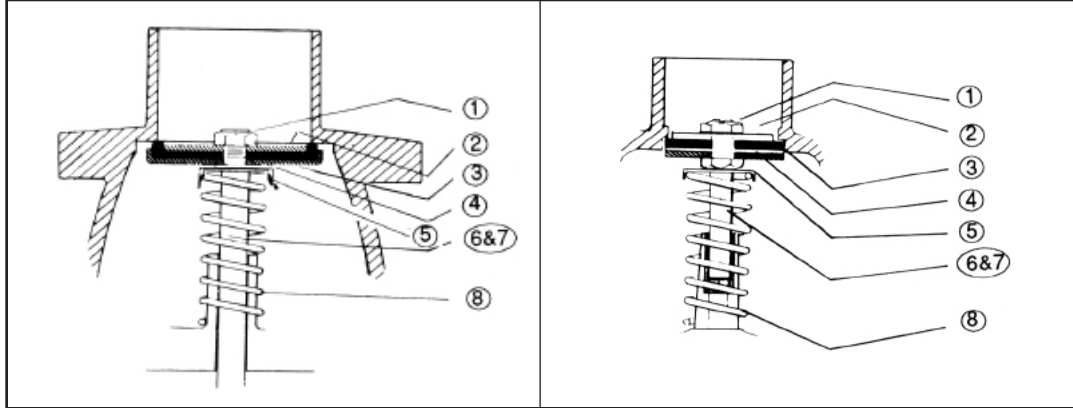
For Gooseneck Elbow parts, see valve opener parts, pages 11 & 12.

VALVES AND MISCELLANEOUS

Mainline Tee and Hydrant Parts

INWARD OPENING (↕)

"D" and "C" Series Valve assembly Parts



"D" Series:

Valve	Valve	Valve
2-3-3D	2-5-4D	2-6-6DS
2-4-3D	2-6-4D	2-7-6DS
2-4-3MXF	2-5-4MXF	2-8-6DS
7-3D	2-6-4MXF	7-6D
	7-4D	

"C" Series:

Valve	Valve	Valve
2-3-3C	2-5-4C	2-6-6CS
2-3-3MXF	2-6-4C	2-7-6CS
2-4-3C	7-4C	2-8-6CS
7-3C		7-6C

No.	Description	Part No.	Part No.	Part No.	Part No.	Part No.	Part No.
1	Valve Jam Nut	10-2-6AB	10-2-6AB	10-2-6C	10-2-6AB	10-2-6AB	10-3-2C
2	Upper Steel Disc	10-4-2A	10-4-2B	10-4-2C	10-4-2A	10-4-2B	10-2-2C
3	Valve Rubber	10-4-7A	10-4-7B	10-4-7C	10-2-7A	10-2-7B	10-2-7C
4	Lower Steel Disc	10-4-3A	10-4-3B	10-4-3C	10-2-3A	10-2-3B	10-2-3C
5	Spring Cap (tee valve)	10-2-8AB	10-2-8AB	10-2-8C	10-2-8AB	10-2-8AB	10-2-8C
6	Tee Valve Stem Screw	10-4-5A	10-4-5B	10-4-5C	10-2-5A	10-2-5B	10-2-5C*
7	Hydrant Valve Stem Screw	10-4-5AAB	10-4-5AAB	10-4-5AC	10-2-5AB*	10-2-5AB*	10-2-5AC*
8	Valve Spring	10-2-4A	10-2-4A	10-2-4C	10-2-4A	10-2-4A	10-2-4C
	Valve Tee Parts Set	10-4-1A	10-4-1B	10-4-1C	10-2-1A	10-2-1B	10-2-1C*
	Valve Hydrant Parts Set	10-4-1AA	10-4-1AB	10-4-1AC	10-2-1AA*	10-2-1AB*	10-2-1AC*

*Obsolete parts - not available

Part No.	Part No.	Part No.	Part No.
10-2-1A	10-2-4C	10-2-8C	10-4-3B
10-2-1AA	10-2-5A	10-4-1A	10-4-3C
10-2-1AB	10-2-5AB	10-4-1AA	10-4-5A
10-2-1AC	10-2-5AC	10-4-1AB	10-4-5AAB
10-2-1B	10-2-5B	10-4-1AC	10-4-5AC
10-2-1C	10-2-5C	10-4-1B	10-4-5B
10-2-2C	10-2-6AB	10-4-1C	10-4-5C
10-2-3A	10-2-6C	10-4-2A	10-4-7A
10-2-3B	10-2-7A	10-4-2B	10-4-7B
10-2-3C	10-2-7B	10-4-2C	10-4-7C
10-2-4A	10-2-7C	10-4-3A	
	10-2-8AB		

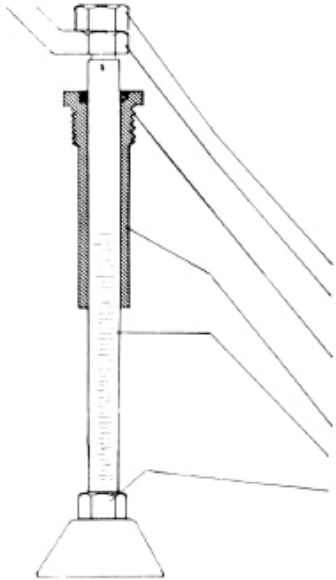
VALVES AND MISCELLANEOUS

"E" Series Valve Opener Parts ("E", "EPH" & "ES")

INWARD OPENING (↓)

Valve Actuating Assembly

This assembly fits any style Valve Opener or Gooseneck where bushing is threaded into casting. For repairs on older Elbows, refer to factory.



Size A (3/4" stem thread size): openers for 3" inward opening valves Ex: 3-4-3E
Size B (1" stem thread size): openers for 4" inward opening valves Ex: 3-6-4E
Size C (1-1/4" stem thread size): openers for 6" inward opening valves Ex: 3-6-4ES

Part Number	Description	A (2.8 lb.)	B (3.0 lb)	C (5.8 lb)
10-3-21	↓ Complete Assembly, less Handle and Nut			
10-3-2	↓ Stem Top Nut			
10-3-3	↓ Handle			
10-3-23 ...	↓ "T-Handle			
10-3-25 ...	↓ O-Ring (included with 10-3-26)			
10-3-26 ...	↓ Stem Bushing			
10-3-27 ...	↓ Brass Stem Screw			
10-3-28 ...	↓ Stem Guide			

When ordering, specify Part Number and Size (A, B, or C)
 For example: "Part Number 10-3-27, Size A"

Locking Levers

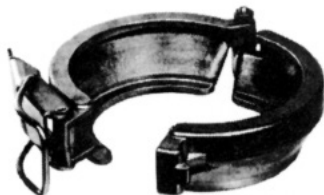
For Mainline valve openers.



Part Number	Base Inlet Size	Weight
10-3-9A	3"	1.8 lbs
10-3-10A	4"	2.2 lbs
10-3-10AS	6"	3.0 lbs

Universal Locking Band

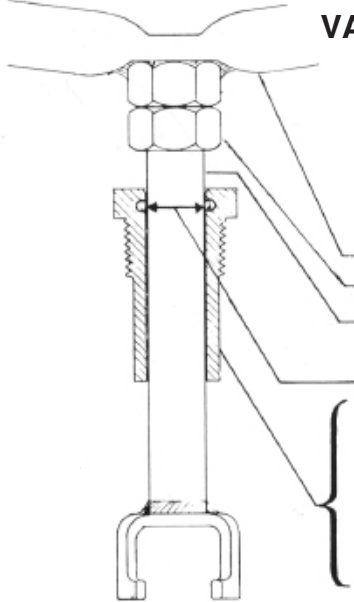
For locking 3" and 4" Valve Opening Elbows to 4" Hydrants



Part Number	Base Inlet Size	Weight
10-3-10U	4"	1.8 lbs

Part Number	Description	Weight
6056	Latch	
6055	Wire Bail	

VALVES AND MISCELLANEOUS



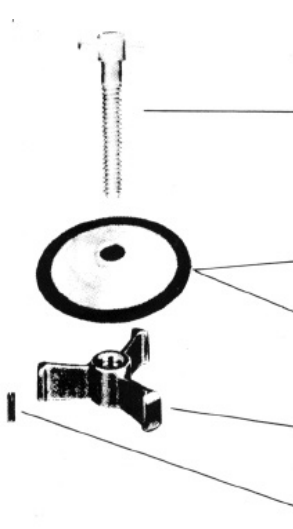
Stem Assemblies for Valve Openers

OUTWARD OPENING (⤴) EH, UEH, U, EPH Fittings

Part Number	Description	Weight
10-3-23AB ... ⤴	Tee Handle	0.6 lbs.
10-3-2A ⤴	Top Nut.....	0.3 lbs.
10-3-27S ⤴	Valve Stem with Fork.....	2.0 lbs.....
For all fittings which screw outward to open		
10-3-25AB ... ⤴	Gasket only	0.03 lbs.
10-3-26SA ... ⤴	Bushing with 10-3-25AB.....	0.7 lbs.
For use with 3" outward opening valve openers 3/4" diameter threads		
10-3-26SB .. ⤴	Bushing with 10-3-25AB.....	0.9 lbs.....
For use with 4" outward opening valve openers 1" diameter threads		

Tee Valve and Hydrant Parts

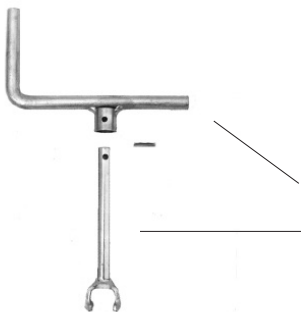
OUTWARD OPENING (⤴)



Part Number	Description	Weight
10-4-5S ⤴	Valve Stem Screw (Plated Steel).....	0.6 lbs.
10-4-5SB ⤴	Valve Stem Screw (Brass).....	0.6 lbs.....
10-4-5S and 10-4-5SB are for all outward opening tee valves and hydrants		
10-4-5SS ⤴	Valve Stem Screw, long handle.....	1.2 lbs.
For Powerroll End Plugs		
10-4-7AS ⤴	3" Molded Rubber & Steel Valve Disc.....	0.7 lbs.
For 7-3S 3" hydrant		
10-4-7BS ⤴	4" Molded Rubber & Steel Valve Disc.....	0.5 lbs.
For all 4" outward opening tee valves and hydrants		
10-5-29 ⤴	Spider.....	0.5 lbs.
For all 4" outward opening tee valves and hydrants		
10-5-30 ⤴	Stainless Steel Roll Pin for 10-5-29.....	0.11 lbs.

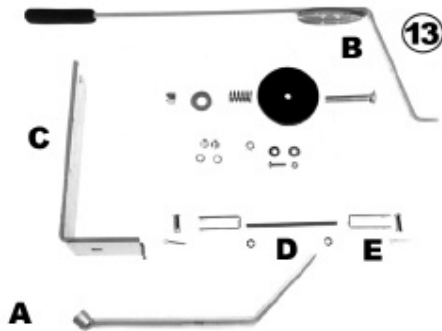
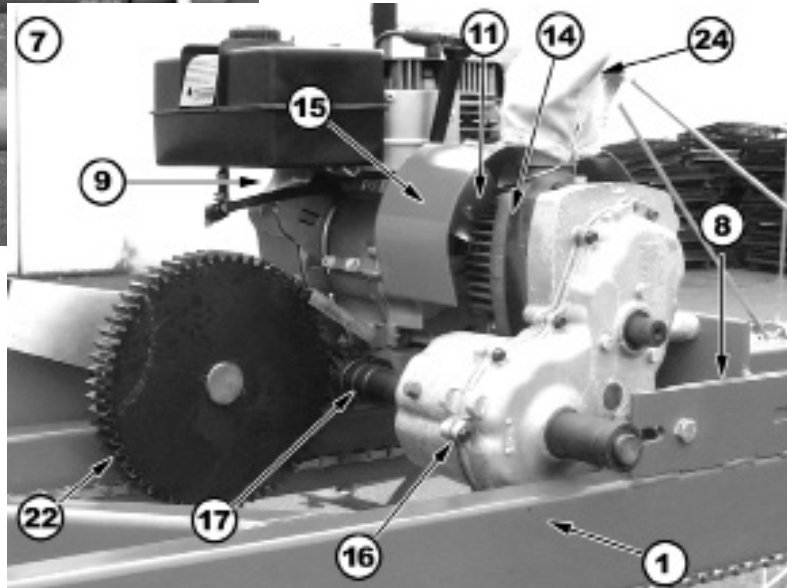
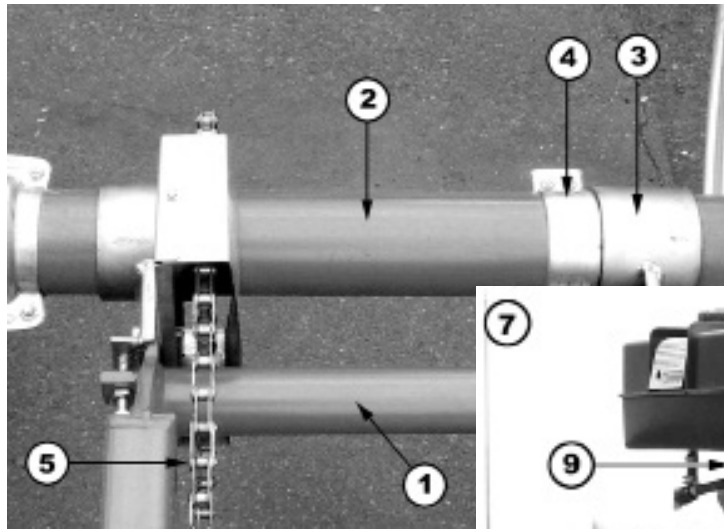
Steel Valve Opening Parts

For US and UEHS Valve Openers



Part Number	Description	Weight
10-3-23ST	Steel Crank Handle for 3/4" Stem	1.20 lbs.
10-3-27ST	Steel Fork Stem – 3/4".....	1.00 lbs.
9401530050	Plated Steel Roll Pin	0.10 lbs.

70 SERIES HYDROSTATIC POWERROLL MOVER

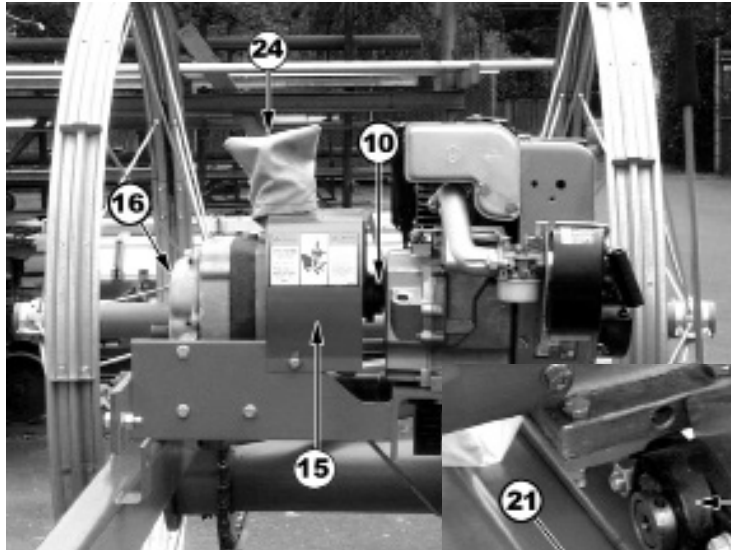


Item	Part Number	Description	Weight
1	70-395	Main Frame	300.0 lbs.
2	70-396-14	Tail Wheel Axle	26.0 lbs.
3	70-396-15	Tail Wheel Bearing	4.0 lbs.
4	70-4	Tail Wheel Clamp	1.0 lbs.
5	70-5	Tail Wheel Chain (157 links plus attach)	7.2 lbs.
	70-6	Master Link	0.05 lbs.
7	70-6MT	5.5HP Engine Package	140.0 lbs.
7	70-7MT	6.5HP Engine Package	140.0 lbs.
8	70-402	Motor Base	22.7 lbs.
9	70-9-6	Engine 5.5 HP Manual Start, OHV	44.0 lbs.
9	70-9-7	Engine 6.5 HP Manual Start, OHV	45.0 lbs.
10	70-10	Flex Coupling, complete	1.0 lbs.
10	70-10-1	Flex Coupling, Rubber only	0.4 lbs.
11	70-11	Fan only	1.0 lbs.
	70PB	Parts Box	35.01 lbs.
13*	70-488	Complete Shift Lever Assembly	
13A	70-485	Linkage Weldment	
13B	70-486	Shift Handle	
13C	70-487	Base Bracket	
13D	70-400-1	Clevis Rod	
13E	70-400-2	Clevis	
	70-7-1	Parts Bag with spring, N & B, pins	
	70FC	Retrofit plastic engine cover to replace fiberglass covers	
	70-747	Retrofit hinge kit only for cover conversion (included in 70-FC)	
	70-113500	Retrofit cover tie-down kit for 70-404 cover	

*Shift lever parts for units SN# 12859 (pre 1981) are not available. Order 70-488 shift lever assembly to convert to new style.

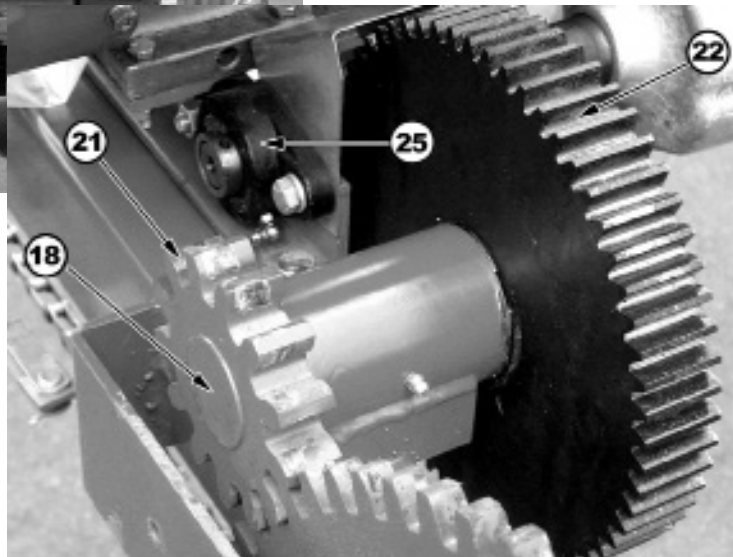
** Engine Cover 70FC includes P/N 70-404, Conversion Hinges and P/N 70-488 Shift Lever Assembly for use on units with Serial Nos. prior to 12860.

70 SERIES HYDROSTATIC POWERROLL MOVER



Key Identification

- #9401490470 3/8" X 1" half moon key
(big end of jack shaft at 70-24 main gear drive)
- #9401490490 3/8" X 1 1/2" half moon key
(small end of jack shaft at 45/60 tooth gear)
- #9401490040 1/4" X 7/8" half moon key
(for pinion gear 70-15 on gear box output shaft)



Key Identification Cont.

- #9401490825 1/8" X 1/2" half moon key
 - 1) For fan on input shaft of transmission
 - 2) For control shaft on bottom of transmission
- #70-419-4 3/16" X 1" square key
(for flange 70-419-2 on engine output shaft)

Item	Part Number	Description	Weight
14	70-12S	Hydrostatic Transmission	22.1 lbs
15	70-408	Fan Guard	2.2 lbs
16	70-14S	Reduction Unit	30.0 lbs
17	70-15	Pinion gear	1.4 lbs
18	70-411	Jack Shaft	5.5 lbs
	70-396-11	Jack Shaft Bushing	1.5 lbs
	70-412	Jack Shaft Bushing Assembly	5.0 lbs
21	70-24	Main Drive Pinion	3.0 lbs
22	70-396-1	Gear 45 Tooth (for 57" wheels)	17.9 lbs
22	70-396-2	Gear 60 Tooth (for 64" & 76" wheels)	32.2 lbs
24	70-30	Canvas Sock	0.62 lbs
25	70-402-7	McGill Bearing	1.0 lbs
	70-395-13	Main Drive Gear 82 Tooth	
	70-395-22	Main Hub Assembly	122.0 lbs
	70-555	Gear Guard Set	
	70-419	500 Bore Flex Coupling Flange 4J	
	70-419-2	750 Bore Flex Coupling Flange (std for model 70) 4J	
	80-544-49	1000 Bore Flex Coupling Flange 4J	
	70-389	Tail Wheel Chain Guard	2.5 lbs
	9401540230	Snap Ring (on Jack Shaft)	
	755	Recoil Pulley and Bracket Assembly	

•Shift Lever parts
70-399 used on units
S/N 12859 and lower.

POWERROLL ENGINE PARTS

Engine Identification

Tecumseh engines are most easily identified by locating the model number on the placard located on the blower housing near the recoil starter. The pulley bracket sometimes covers the placard. Some older engines had the model number stamped into the blower housing.

Model	HP	Color	Dates	
H60	6	Orange	up to 1993	* Order both parts for complete air cleaner element for HM70/HM80
H70	7	Orange	up to 1993	
H60	6	Black or Red	1993-1999	** Order both parts for complete air cleaner element for OHH60
H70	7	Black or Red	1993- 1999	
HM70	7	Red and Black	99 and newer	
HM80	8	Red and Black	99 and newer	
OHH60	6	Red and Black	99 and newer	

Air Cleaner Parts

Part No.	Description	Model	Year
30-070	Air filter element (paper)	H60/H70	Pre 93
30-205	Air filter element (foam)	H60/H70	93-98
30-100*	Air filter element	H70/H80	99 & Up
35881*	Air filter element (foam ring only)	HM70/HM80	99 & Up
30-740**	Air filter element	OHH60	99 & Up
36634**	Air filter foam pad	OHH60	99 & Up
31715	Air cleaner body	H60/H70	Up to 99
33269A	Air cleaner cover	HM70/HM80	99 & Up
37073	Air cleaner cover	OHH60	99 & Up

Recoil Starter Parts

Part No.	Description	Model	Year
31-051	Rewind Starter Assembly, 1-pawl	H60/H70	Pre 93
31-050	Rewind Starter Assembly, 2-pawl	H60/H70	93-98
590788	Rewind Starter Assembly, 2-pawl	OHH60/HM70&80	99 & Up
31-250	Recoil Rope #5, 200ft. spool	All (Premium Braid Nylon)	
31-904	Starter Rope Handle	All	

Carburetor Parts

Part No.	Description	Model	Year
50-646	Carburetor	H60/H70	Pre 93
50-646	Carburetor	H60	Up to 99
631793	Carburetor	H70	93 - 98
640154	Carburetor	HM70/HM80	99 & Up
640340	Carburetor	OHH60	99 & Up
31840	Carburetor repair kit	H70	Up to 99
632235	Carburetor repair kit	H60	Up to 99
632760B	Carburetor repair kit	OHH60/HM70&80	99 & Up
49-014	Carburetor gasket (10 pack)	H60/H70	Up to 99

POWERROLL ENGINE PARTS

Fuel Tank Parts

Part No.	Description	Model	Year
34186A	Fuel Tank.....	H60/H70.....	Up to 98
36863	Fuel Tank.....	OHH60	99 & Up
34156A	Fuel Tank.....	HM70/HM80.....	99 & Up
33032	Gas cap only (1 1/2" spout).....	H60/H70.....	old
07-314	Gas cap only (2" spout).....	H60/H70.....	up to 93.....
37844	Gas cap only.....	H60/H70.....	93-98.....
37844	Gas cap only.....	OHH60/HM70&80	99 & Up
35857	Fuel cutoff valve, inline	All

Muffler Parts

Part No.	Description	Model	Year
35-028	Muffler Assembly	H60/H70.....	pre 99.....
33756B	Muffler Assembly	HM70/HM80.....	99 & Up
37596	Muffler Assembly	OHH60	99 & Up

Gasket Sets

Part No.	Description	Model	Year
33235A	Gasket Set	H60.....	pre 93.....
33239A	Gasket Set	H70.....	pre 93.....

Ignition Parts

Part No.	Description	Model	Year
33636	Spark plug	H60/H70.....	Up to 99
33636	Spark plug	HM70/HM80.....	99 & Up
34645	Resistor spark plug (RN4C)	OHH60	99 & Up
70-482	Kill Switch w/boot.....	H60/H70.....	Up to 99

HYDROSTATIC TRANSMISSION PARTS

Transmission Parts

Part No.	Description
70-990077	Expansion reservoir w/ cap
70-10351	Cap only for expansion reservoir.....
70-12-1	Gasket
70-105713	Output gear.....



70-12S Hydrostatic Transmission

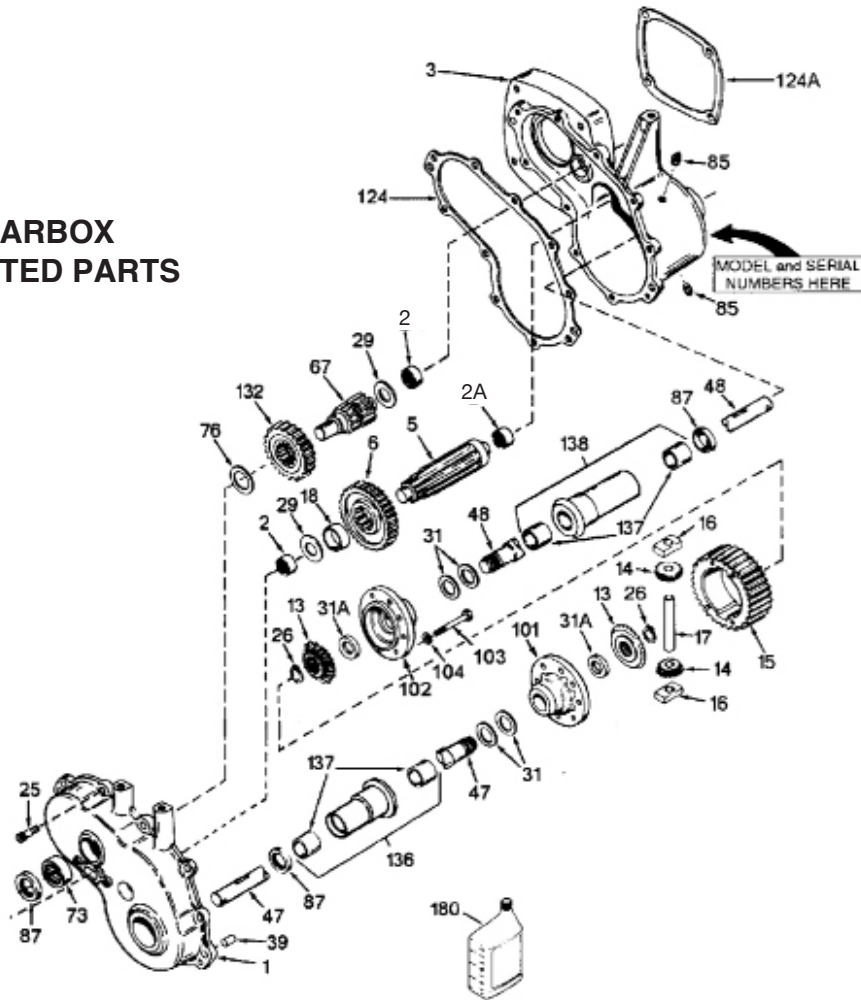
Specified Fluids:
*SAE 20W Motor Oil or
*Premium Hydraulic Oil
(Do not mix oil types)



70-14S Gearbox
(see next page for parts)

Lubricant:
*90 W Gear Oil

**70-14S GEARBOX
ILLUSTRATED PARTS**



Gear Box Parts

Ref #	Part No.	Description
1.....	772063ACover assembly.....
2.....	780013Needle bearing (2 req'd)
2A.....	780088Needle bearing (1 req'd)
3.....	770058ACase assembly (Incl. 2 & 2A) .
5.....	778041Output pinion
6.....	778036Output gear
13.....	778220Bevel gear (2 teeth-steel)
14.....	778197Bevel pinion (10 teeth-steel) ...
15.....	778033ARing gear
16.....	786027Driveblock
17.....	786019Drivepin
18.....	786017Spacer
25.....	792046Screw, 1/4-20x1"
26.....	792018Snapping
29.....	780001Washer
31.....	780042Thrust washer
31A.....	780107Washer
39.....	786026Dowelpin
47.....	774493Axle (6-3/4" long)

Ref #..	Part No.	Description
48.....	774181Axle (12-23/32" long)
67.....	776093Brakeshaft
73.....	780089Needle bearing (1 req'd)
76.....	780090Washer
79.....	792144Brakespring
85.....	792010Pipeplug
87.....	788008Oil seal (3 req'd)
101.....	774028ADifferential carrier
102.....	774029ADifferential carrier
103.....	792020Screw, 14-20x2-1/4"
104.....	27513Lockwasher, 1/4"
124.....	788044ACase-to-cover gasket.....
124A ..	788046Gasket (same as 70-12-1)
132.....	778037Idler gear (30 teeth)
136.....	782022AL.H. housing & bushing (Incl 137)
137.....	780054Bushing
138.....	782023AR.H. housing & bushing (incl. 137)
180.....	-Gear oil SAE 80W90

POWEROLL PARTS

Drain Valve Parts



Part Number	Description	Weight
#18-1 Drain Valve		
18-1-2	1" Sleeve	0.2 lbs
18-1-6	Rubber Gasket	
18-1-4	Spring	
18-1-3	Spider	0.1 lbs
18-1-5	Dispersion Plate	0.1 lbs
18-1-7	Lock Washer	
18-1-8	Nut	



Part Number	Description	Weight
#18-0-5 Drain Valve		
18-0-5	Complete Drain	0.6 lbs
18-0-6	1" Rubber Spider	0.1 lbs
18-0-5T	Drain Valve Top	0.3 lbs
18-0-5B	Drain Valve Bottom	0.3 lbs

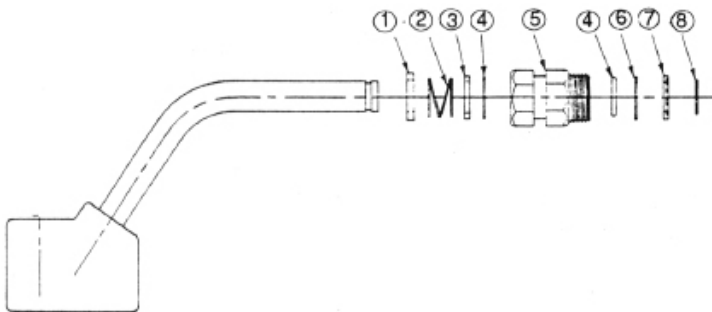
Texas T-Handle for Telescoping Feed

Part Number	Description	Weight
20-3-25T	5/16" T-Handle	0.25 lbs
20-5-25T	3/8" T-Handle	0.25 lbs

Poweroll End Plug Parts

Part Number	Description	Weight
29-4SP	Splash Plate	0.2 lbs
10-4-5SS	Long Handle Stem Screw	1.2 lbs

L-75 Sprinkler Leveler Parts

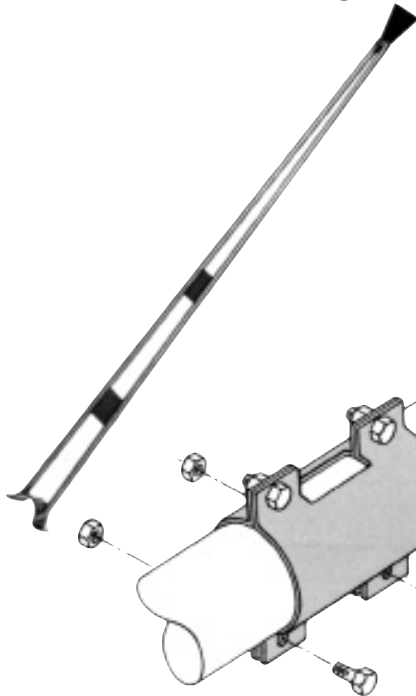


Part No.	Description	No.
659	Repair Kit Consisting of following:	
653	Spring Stop Washer	①
654	Stainless Spring	②
655	Rubber Washer	③
656	Teflon Washer (2 req.)	④
657	Hex Bearing	⑤
659-8	O-Ring	⑥
658	Brass Retainer Washer	⑦
659-10	Stainless Snap Ring	⑧

POWERROLL PARTS

Ratcheted Line Anchor Stabilizer Bar

Stabilizer Leg



Part Number	Tube Size	Wheel Size	Weight
22-4-16	4"	57" & 64" ...	13.6 lbs.
22-4-17	4"	76"	14.8 lbs.
22-5-5	5"	57" & 64" ...	14.3 lbs.
22-5-6	5"	76"	15.1 lbs.

Pipe Clamps (Nuts and Bolts Not Included)

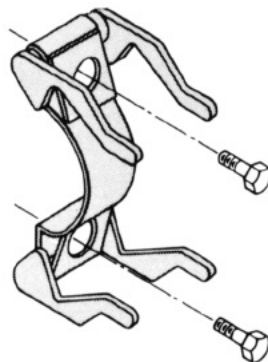
For each clamp order two (2) halves. Two clamp halves required for each leg.

Part Number	Tube Size	Weight
22-4-1 (Clamp Half)	4"	1.3 lbs.....
22-5-1 (Clamp Half)	5"	1.5 lbs.....

Use 3/8 x 1 Capscrew and 3/8 Hex Nut

Ratchet Clamp

One required for each leg (Nuts and Bolts not included)



Part Number	Tube Size	Weight
22-4-14.....	4"	4.1 lbs.....
22-5-3	5"	4.4 lbs.....



Reinforcing Bands

Part Number	Material	For Use With	Size
28-4-1A	Aluminum	48-4PR and 58-4PR	4"
1-5MP-1	Aluminum	1-5MP, 48-5PR, 58-5PR ...	5"
1-6MP-1	Aluminum	1-6MP and 2-6-4P	6"
28-4-1S	Steel	4" Hub Adapter	4"

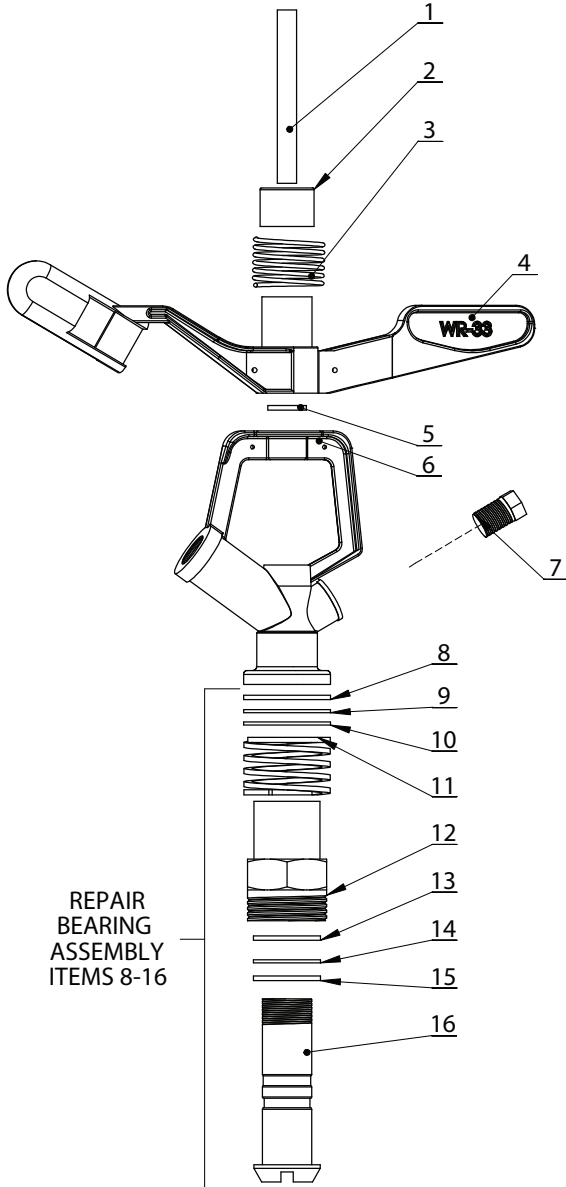
28 and 38 Series Parts

Part Number	Description
28-4-2TD	Spring Lock Bands for 38 Series Side Roll Couplers
28-4-3	3/8" x 1"-1/2" Special Studs for 28 Series Couplers.....

SPRINKLER PARTS

* For Date Stamp prior to 0711. Date Stamp on hex face of Sleeve Bearing indicates Month/Year of manufacture.

WR-33 & WR-32



REPAIR BEARING ASSEMBLY ITEMS 8-16

(1) Available only in WR-RBA-kit

(2) Available only in WR-RBA-32 kit only

WR-33 Parts – Prior to 0711

Item	Part Number	Description
1	WR-PIN-33	Fulcrum Pin
2	WR-ARMHOOD	Arm Hood
3	WR-ARMSPR-33	Arm Spring
4	WR-ARM-33	Arm, bronze
5	WR-ARMWASHER	Arm Spacer Washer
6	N/A	Body
7	SNP	Secondary nozzle plug
8	WR-USW	Upper Seal Washer, black
9	WR-UBW	Upper Bearing Washer, grey
10	WR-BRW	Upper Brass Washer
11	(1)	Bearing Spring
12	(1)	Sleeve Bearing
13	WR-TSW	Top Seal Washer, blk, 17.81 ID
14	WR-BBW	Bottom Bearing Washer, Grey
15	WR-LSW	Lower Seal Washer, 17.0 ID
16	(1)	Nipple Bearing
Kit 8-16	WR-RBA	Repair Bearing Assembly

WR-32 (Aluminum Arm) Parts – Prior to 0711

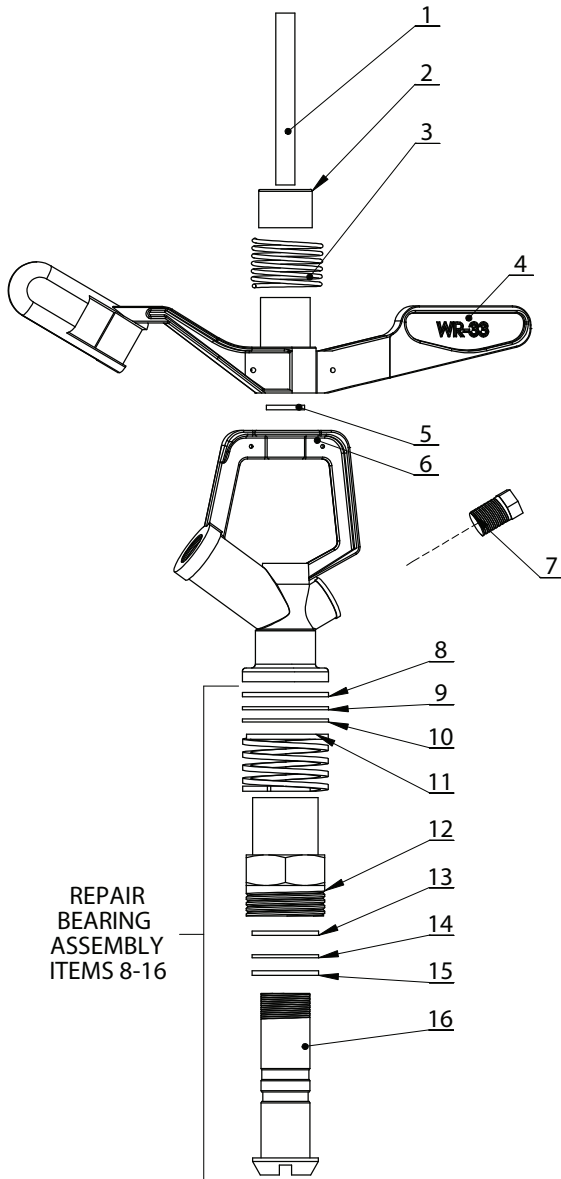
Item	Part Number	Description
1	WR-PIN-32	Fulcrum Pin
2	WR-ARMHOOD	Arm Hood
3	WR-ARMSPR-33	Arm Spring
4	WR-ARM-32	Arm, aluminum
5	WR-ARMWASH-32/35	Arm Spacer Washer
6	N/A	Body
7	SNP	Secondary nozzle plug
8	WR-USW	Upper Seal Washer, black
9	(2)	Upper Bearing Washer, white
10	WR-BRW	Upper Brass Washer
11	(2)	Bearing Spring
12	(2)	Sleeve Bearing
13	WR-TSW	Top Seal Washer, blk, 17.81 ID
14	WR-BBW-32	Bottom Bearing Washer, Teflon
15	WR-LSW	Lower Seal Washer, 17.0 ID
16	(2)	Nipple Bearing
Kit 8-16	WR-RBA-32	Repair Bearing Assembly

	Date Stamp	Arm Length
Old Design	Prior 0711	6-9/16"
New Design	0811 and up	6-7/8"

SPRINKLER PARTS

* For Date Stamp 0811 & newer. Date Stamp on hex face of Sleeve Bearing indicates Month/Year on manufacture.

WR-33 & WR-32



REPAIR BEARING ASSEMBLY ITEMS 8-16

- (1) Available only in WR-RBA- - 0811 kit
- (2) Available only in WR-RBA- - 0811 kit only

	<u>Date Stamp</u>	<u>Arm Length</u>
Old Design	Prior 0711	6-9/16"
New Design	0811 and up	6-7/8"

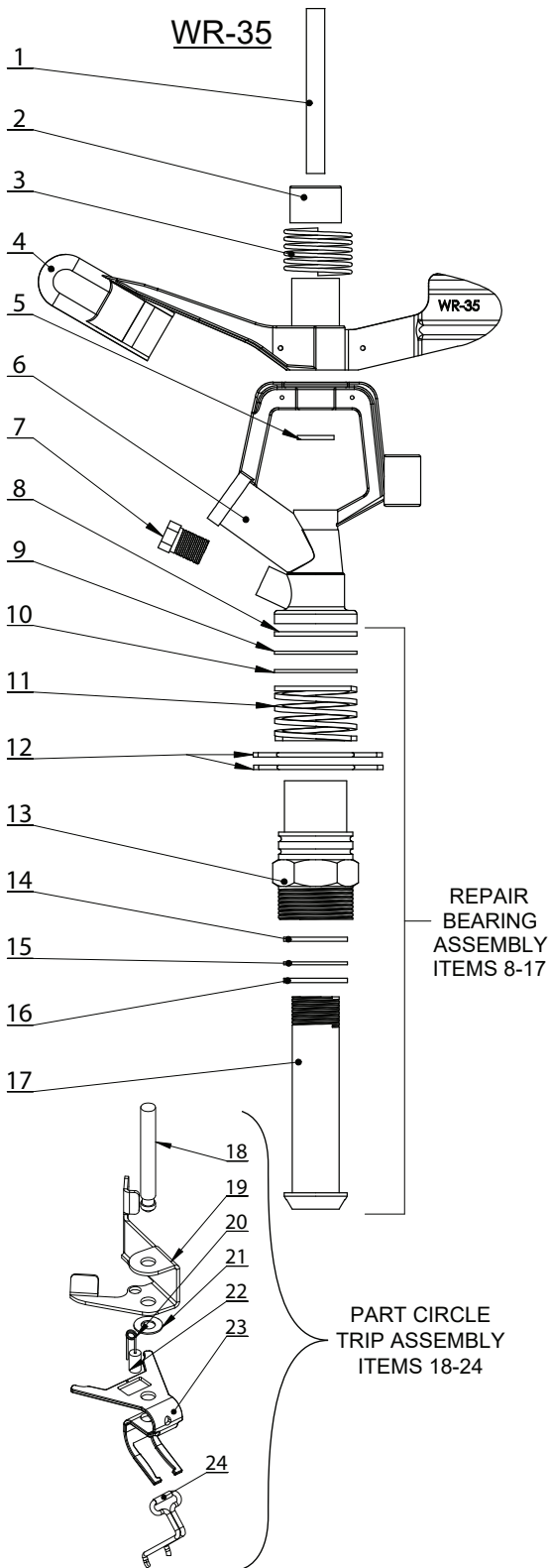
WR-33 Parts — 0811 and newer

Item	Part Number	Description
1	WR-PIN-33	Fulcrum Pin
2	WR-ARMHOOD	Arm Hood
3	WR-ARMSPR-33	Arm Spring
4	WR-ARM-33 - 0811	Arm, bronze
5	WR-ARMWASHER	Arm Spacer Washer
6	N/A	Body
7	SNP	Secondary nozzle plug
8	WR-USW - 0811	Upper Seal Washer, black
9	WR-UBW - 0811	Upper Bearing Washer, grey
10	WR-BRW - 0811	Upper Brass Washer
11	(1)	Bearing Spring
12	(1)	Sleeve Bearing
13	WR-TSW - 0811	Top Seal Washer, blk, 17.81 ID
14	WR-BBW - 0811	Bottom Bearing Washer, Grey
15	WR-LSW	Lower Seal Washer, 17.0 ID
16	(1)	Nipple Bearing
Kit 8-16	WR-RBA - 0811	Repair Bearing Assembly

WR-32 (Aluminum Arm) Parts — 0811 and newer

Item	Part Number	Description
1	WR-PIN-32	Fulcrum Pin
2	WR-ARMHOOD	Arm Hood
3	WR-ARMSPR-33	Arm Spring
4	WR-ARM-32 - 0811	Arm, aluminum
5	WR-ARMWASH-32/35	Arm Spacer Washer
6	N/A	Body
7	SNP	Secondary nozzle plug
8	WR-USW - 0811	Upper Seal Washer, black
9	(2)	Upper Bearing Washer, white
10	WR-BRW - 0811	Upper Brass Washer
11	(2)	Bearing Spring
12	(2)	Sleeve Bearing
13	WR-TSW - 0811	Top Seal Washer, blk, 17.81 ID
14	WR-BBW-32	Bottom Bearing Washer, Teflon
15	WR-LSW	Lower Seal Washer, 17.0 ID
16	(2)	Nipple Bearing
Kit 8-16	WR-RBA-32 - 0811	Repair Bearing Assembly

SPRINKLER PARTS



WR-35 (Part Circle) Parts

Item	Part Number	Description
1	N/A	Fulcrum Pin
2	N/A	Arm Hood
3	WR-ARMSPR-33	Arm Spring
4	WR-ARM-35	Arm, WR-35
5	WR-ARMWASH-32/35	Arm Spacer Washer
6	N/A	Body
7	SNP	Secondary Nozzle Plug
8	(1)	Upper Seal Washer, black
9	(1)	Upper Bearing Washer, white
10	(1)	Upper Brass Washer
11	(1)	Bearing Spring
12	WR-STOP-35	Part-Circle Stop Collar
13	(1)	Sleeve Bearing
14	WR-TSW	Top Seal Washer, blk, 17.81 ID
15	WR-BBW-35	Bottom Bearing Washer, White
16	WR-LSW-35	Lower Seal Washer
17	(1)	Nipple Bearing
Kit 8-17	WR-RBA-35	Repair Bearing Assembly
18	(2)	Trip Pin
19	(2)	Upper Trip Bracket
20	(2)	Trip Spring
21	(2)	Washer & Clip, Trip Mechanism
22	(2)	Trip Spring Barrel
23	(2)	Lower Trip Bracket
24	WR-CLIP-35	PC Flip Clip w/ Retainer Barrel
25	WR-PCTRIPASSY-35	Part Circle Trip Assembly

(1) Available in WR-RBA-35 - kit only

(2) Available in WR-PCTRIPASSY-35 - kit only