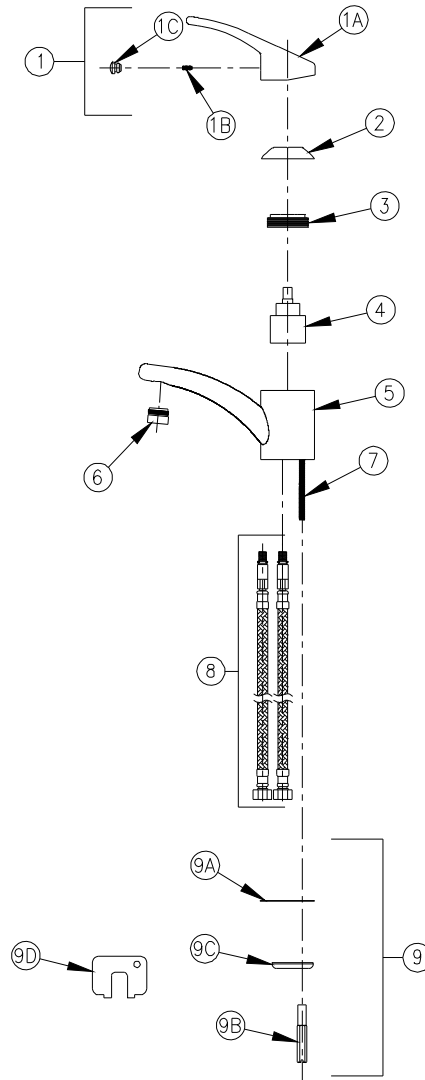


SINGLE CONTROL FAUCET

Z82200-XL Parts List



Item	Part Number	Description	Qty.
1	G63237	Single Control Handle Assembly	1
1A	63232002	Single Control Handle	1
1B	63234001	1/4-20 x 3/8" Knurled Cup Point Set Screw	1
1C	92255001	Hot/Cold Index Button	1
2	62797001	Domed Cartridge Flange	1
3	62795001	Cartridge Retaining Nut	1
4	80242001	Ceramic Mixing Cartridge	1
5	80110003	5" Single Control Faucet Body w/o Pop-Up Hole	1
6	G63505	Aerator	1
7	63238002	1/4-20 UNC Mounting Stud	1
8	93318012	12" [305mm] S.S. Braided Flex Hoses	2
9	G63241	Mounting Components For Single Control	1
9A	63253001	Gasket	1
9B	63240001	1/4-20 UNC Mounting Nut	1
9C	63239001	Mounting Ring	1
9D	63264004	Domed Cartridge Flange Wrench	1

ZURN INDUSTRIES, LLC ♦ COMMERCIAL BRASS OPERATION ♦ 2640 SOUTH WORK STREET ♦ FALCONER NY 14733

Phone: 1-800-997-3876 ♦ Fax: 1-919-775-3541 ♦ www.zurn.com

In Canada: ZURN INDUSTRIES LIMITED ♦ 3544 Nashua Drive ♦ Mississauga, Ontario L4V1L2 ♦ Phone: 905/405-8272 Fax: 905/405-1292