

# Café™ 5.6 Cu. Ft. Built-In Dual-Drawer Refrigerator

CDE06RP3ND1 / CDE06RP2NS1

# CAFÉ

DISTINCT BY DESIGN™



ALSO  
AVAILABLE IN



CDE06RP2NS1  
Stainless Steel with  
Brushed Stainless  
handle and knobs

CDE06RP3ND1  
Matte Black with Brushed  
Stainless handles



## FEATURES & BENEFITS

Impress your guests every time you open the drawers with an attractive **stainless steel interior** that is also easy to clean.

Never let grabbing a quick snack interrupt your conversations, thanks to **soft-close drawers** that slide quietly closed.

Favorite wines are always perfectly chilled and ready to serve with a large **5.6 cu. ft. capacity** that easily holds upright bottles.

Keep all your fresh foods and drinks organized with an **adjustable divider** that maximizes flexibility and storage capacity in both drawers.

Fresh vegetables and craft beers are always stored in their ideal climate, thanks to an **exact temperature control** that chills items between 34° and 45° F.

Sharable foods are easy to find and easy to serve with **LED lighting** that provides clear, bright light throughout the drawers.

## APPEARANCE

Exterior design	Flat doors
Handle design	Café

## FEATURES

Control Type	Electronic
Interior Lighting	LED
Leveling System	Leveling Legs
Defrost Type	Auto
Defrost Water Drain	Yes
Sabbath Mode	Yes
Sort Capacity	5.6

## CAPACITY

Total Capacity (cubic feet)	5.6 cu ft
-----------------------------	-----------

## WEIGHTS & DIMENSIONS

Approximate Shipping Weight	135 lb
Net Weight	126 lb
Depth Without Handle	23 3/4 in
Overall Depth	26 in
Overall Height	33 7/8 in
Overall Width	23 7/8 in

# Café™ 5.6 Cu. Ft. Built-In Dual-Drawer Refrigerator

CDE06RP3ND1 / CDE06RP2NS1

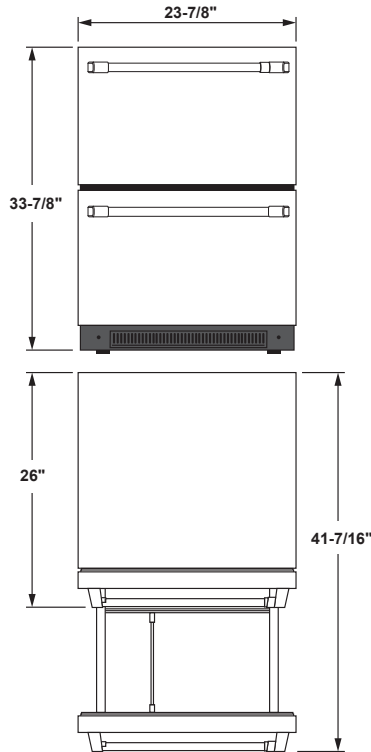
# CAFÉ

DISTINCT BY DESIGN™

## WARRANTY

Parts warranty	Limited 1-year entire appliance
Labor warranty	Limited 1-year entire appliance
Warranty notes	See written warranty for full details

## DIMENSIONS



## ADDITIONAL ACCESSORIES



CXQD2H2PNBZ  
Brushed Bronze  
2 handles



CXQD2H2PNBT  
Brushed Black  
2 handles



CXQD2N2PNCU  
Brushed Copper  
2 handles