

# FIGURE 771310 ROOFTOP SUPPORT



## HB-STANDARD ROOFTOP CHANNEL SUPPORT

### FEATURES

- H-Block Standard comes with 12 gauge channel 1-5/8" H-132
- Compatible with most rooftop materials or other flat surfaces
- Can support natural gas, refrigeration systems, cable tray, electrical conduit, HVAC equipment and many other applications
- Standard strut mount pipe clamps are used to secure the pipes
- Pre-assembled for easy installation
- UV resistant
- Dampens vibrations
- High-visibility safety corners
- Resistant to freeze and thaw
- Made in the United States



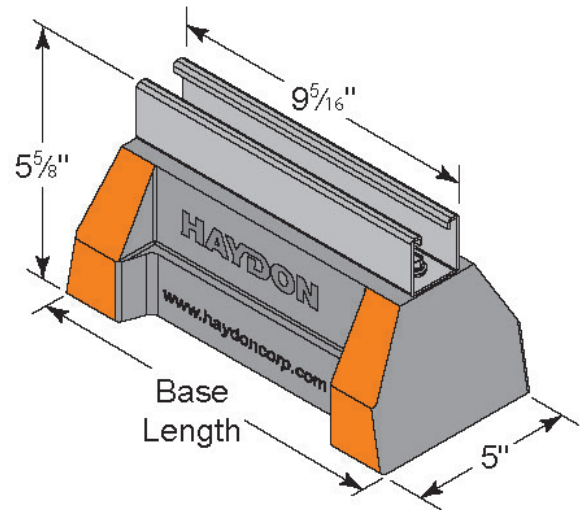
### PRODUCT SPECIFICATIONS

#### Material

- H-Block-Standard is 100% recycled rubber
- Channel - Pre-Galvanized Steel
- All four corners are coated with ANSI #2535.1-1998 orange

#### Testing

- ASTM D575 Method B - Modified - Compression/Deflection
- ASTM D 1171 Modified - Ozone Resistance
- ASTM A-653



Height	Width	Length	Weight (lbs)	Uniform Load Capacity (lbs)	Safety Factor
5-5/8" (143mm)	5" (127mm)	10-7/8" (276mm)	6.26	2500	2