

FIGURE 7897 - Insulation Couplings

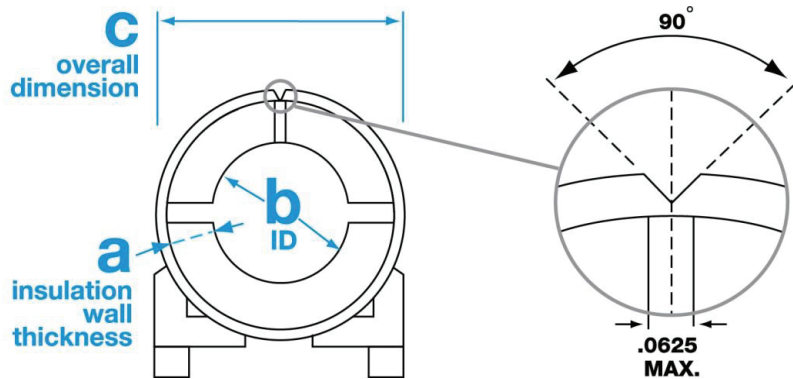
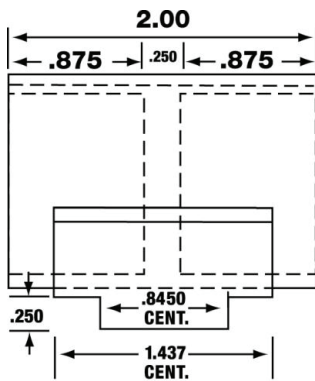
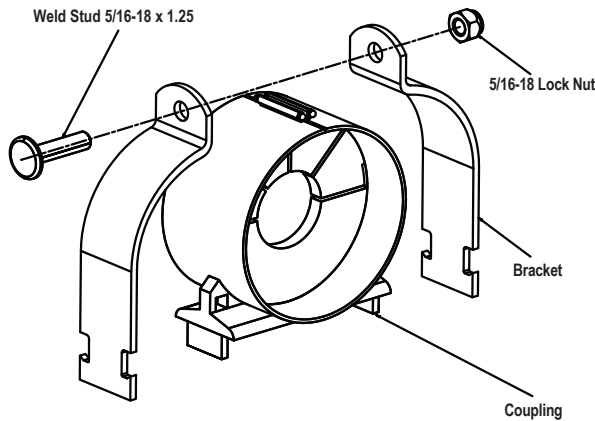
For use with elastomeric insulation

* 1/2" wall thickness

Sizes 3/8" to 1-5/8"

* 3/4" wall thickness

Sizes 3/8" to 7/8"



Catalog Number	Clamp ID	C	Weight
	Tube OD	in	Lbs.
FNW7897D0037	3/8" OD	1.50	0.369
FNW7897D0050	1/2" OD	1.62	0.439
FNW7897D0062	5/8" OD	1.75	0.460
FNW7897D0087	7/8" OD	2.00	0.499
FNW7897D0112	1-1/8" OD	2.25	0.516
FNW7897D0137	1-3/8" OD	2.50	0.585
FNW7897D0162	1-5/8" OD	2.75	0.634

Catalog Number	Clamp ID	C	Weight
	Tube OD	in	Lbs.
FNW7897F0037	3/8" OD	2.00	0.499
FNW7897F0050	1/2" OD	2.12	0.413
FNW7897F0062	5/8" OD	2.25	0.516
FNW7897F0087	7/8" OD	2.50	0.585



FIGURE 7897 - Insulation Couplings

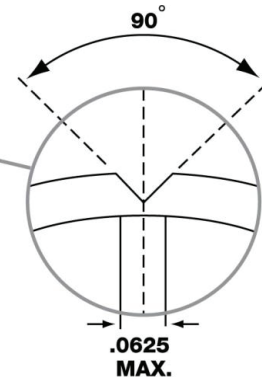
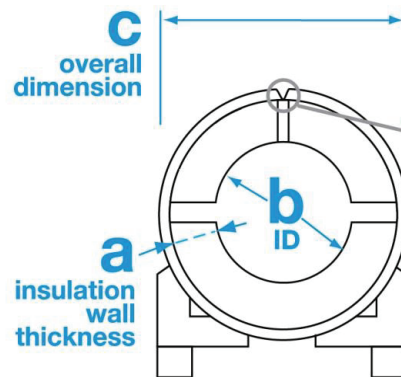
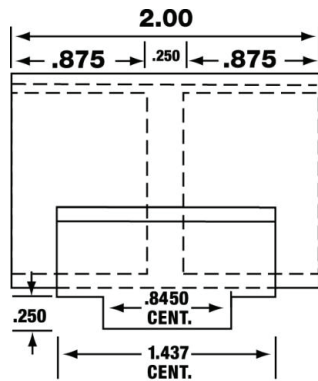
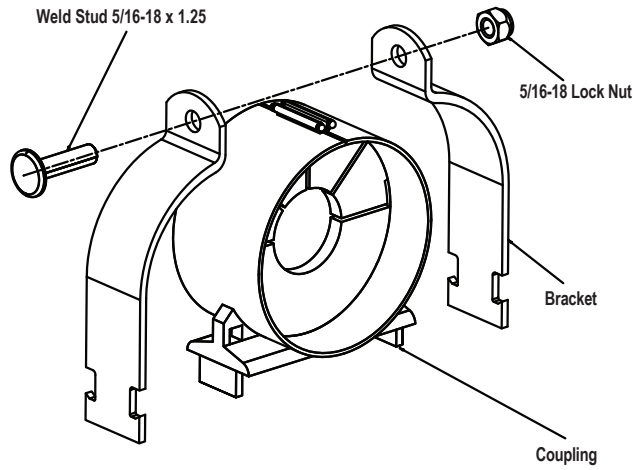
For use with elastomeric insulation

* 1" wall thickness

Sizes 3/8" to 2-1/8"

* 1-1/2" wall thickness

Sizes 7/8 to 2-1/8"



Catalog Number	Clamp ID	C	Weight
	Tube OD	in	Lbs.
FNW7897G0037	3/8" OD	2.50	0.585
FNW7897G0050	1/2" OD	2.62	0.585
FNW7897G0062	5/8" OD	2.75	0.634
FNW7897G0087	7/8" OD	3.00	0.676
FNW7897G0112	1-1/8" OD	3.25	0.731
FNW7897G0137	1-3/8" OD	3.50	0.761
FNW7897G0162	1-5/8" OD	3.75	0.782
FNW7897G0212	2-1/8" OD	4.25	0.856

Catalog Number	Clamp ID	C	Weight
	Tube OD	in	Lbs.
FNW7897J0087	7/8" OD	4.00	0.840
FNW7897J0112	1-1/8" OD	4.25	0.856
FNW7897J0137	1-3/8" OD	4.50	0.951
FNW7897J0162	1-5/8" OD	4.75	0.955
FNW7897J0212	2-1/8" OD	5.25	1.046

