



BRADFORD WHITE[®]
W A T E R H E A T E R S

RESIDENTIAL GAS REPLACEMENT PARTS LIST

**RTG-K-(160,199)(N,X)1
Tankless Gas Water Heater**



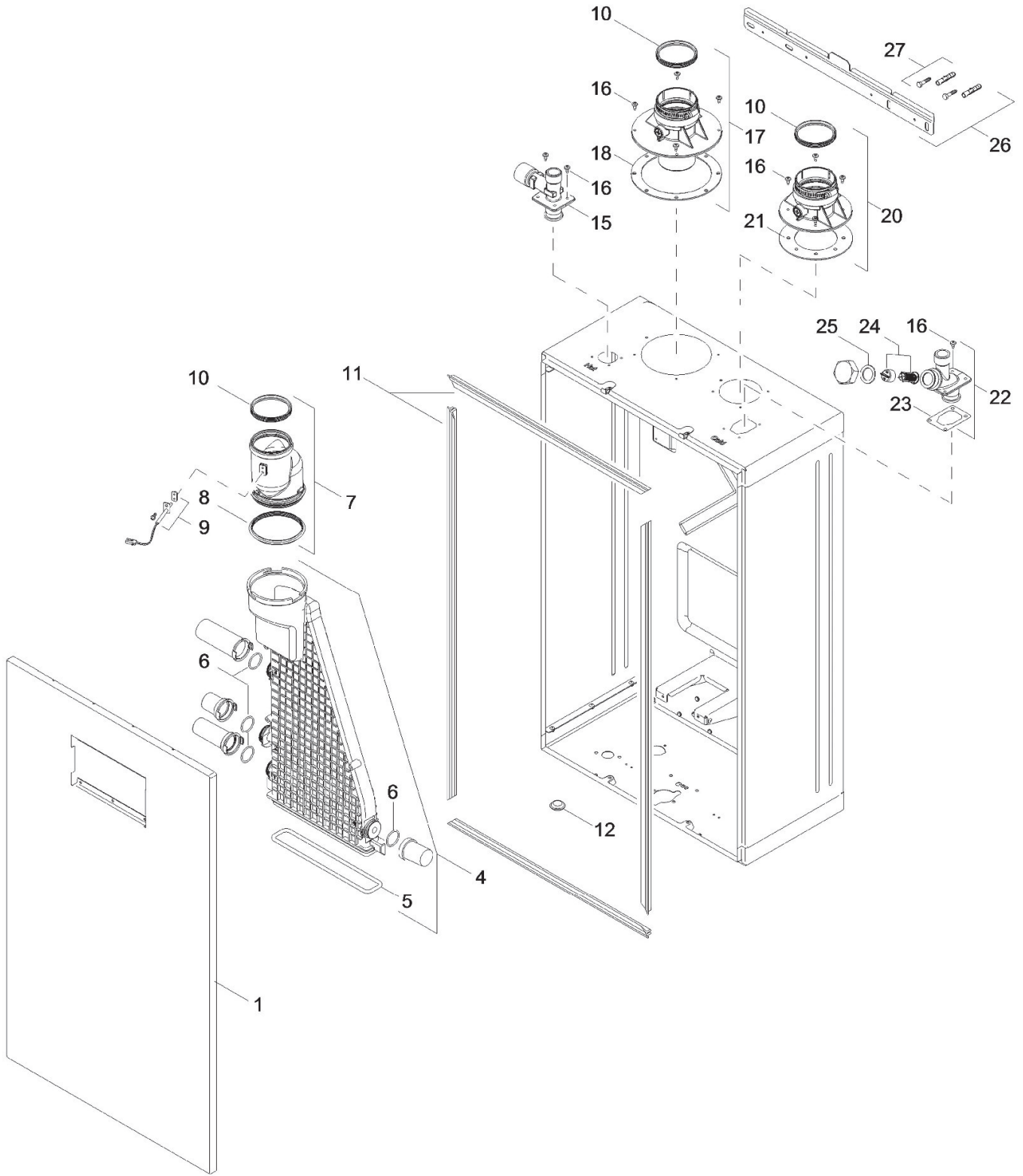
***Effective: August, 2018
ECO 8204***

**NOTE: BOTH MODEL AND SERIAL
NUMBERS ARE REQUIRED FOR
ORDERING REPLACEMENT PARTS**

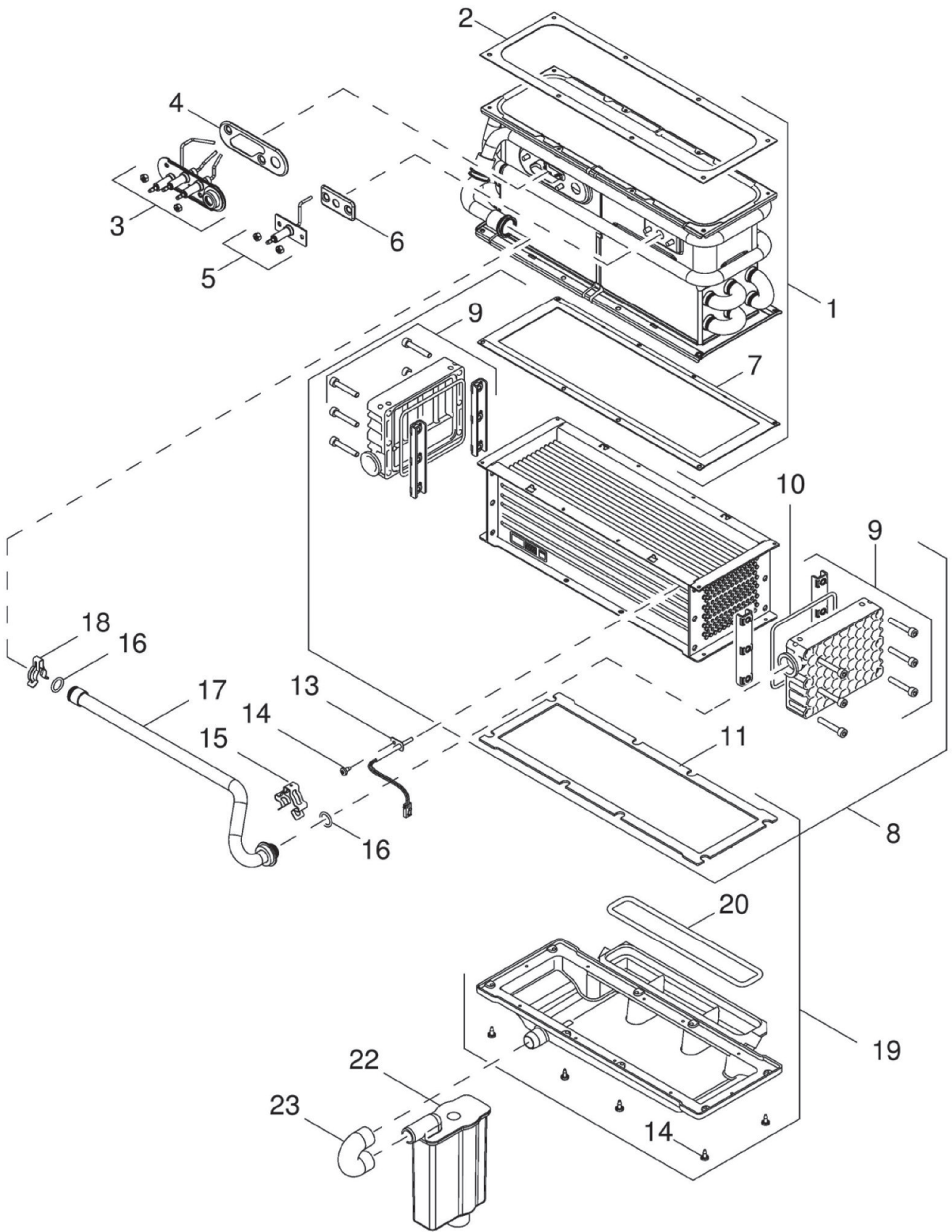
Dimensions and specifications
subject to change without notice.



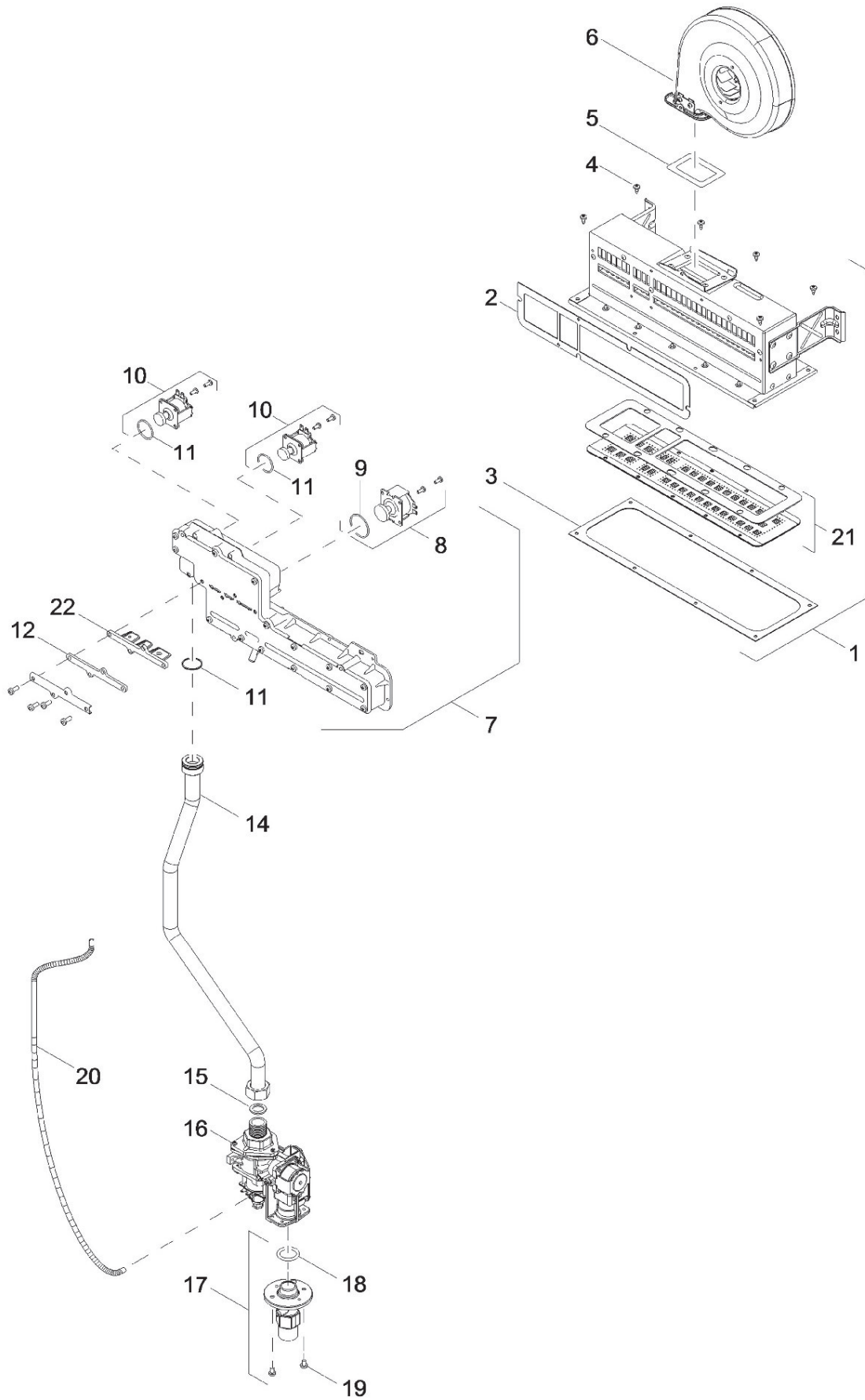
As required by the state of California Proposition 65.



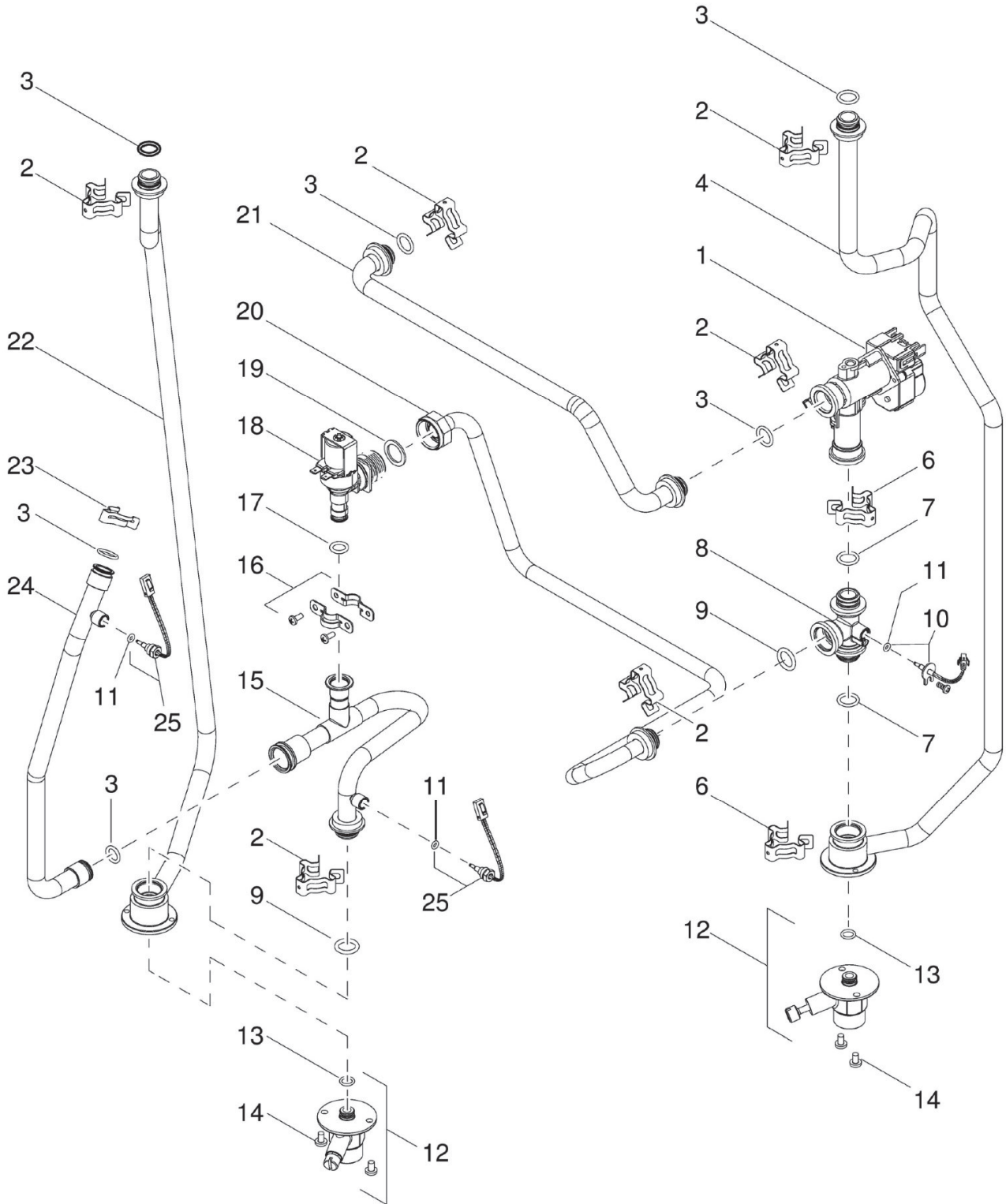
Item	Description	Model	Model
		RTGK160	RTGK199
1	Front shell	8 738 718 533	8 738 718 533
4	Flue gas collector duct	8 738 714 961	8 738 714 961
5	Gasket	8 738 714 962	8 738 714 962
6	O-ring (x10)	8 700 205 107 0	8 700 205 107 0
7	Exhaust pipe	8 738 714 963	8 738 714 963
8	Gasket	8 738 714 964	8 738 714 964
9	Temperature sensor	8 738 714 965	8 738 714 965
10	Gasket	8 738 714 966	8 738 714 966
11	Set of seals	8 738 718 528	8 738 718 528
12	Washer	8 700 003 007 0	8 700 003 007 0
15	Connection nipple	8 738 714 968	8 738 714 968
16	Screw (x10)	8 738 708 770	8 738 708 770
17	Exhaust adapter	8 738 714 969	8 738 714 969
18	Gasket	8 738 714 970	8 738 714 970
20	Air inlet connection	8 738 714 971	8 738 714 971
21	Gasket	8 738 714 972	8 738 714 972
22	Connection bush with filter	8 738 714 980	8 738 714 980
23	Gasket	8 738 714 981	8 738 714 981
24	Water filter	8 738 714 982	8 738 714 982
25	Washer	8 738 714 983	8 738 714 983
26	Mounting bracket	8 701309 164 0	8 701309 164 0
27	Wall plugs kit	8 709 918 607 0	8 709 918 607 0



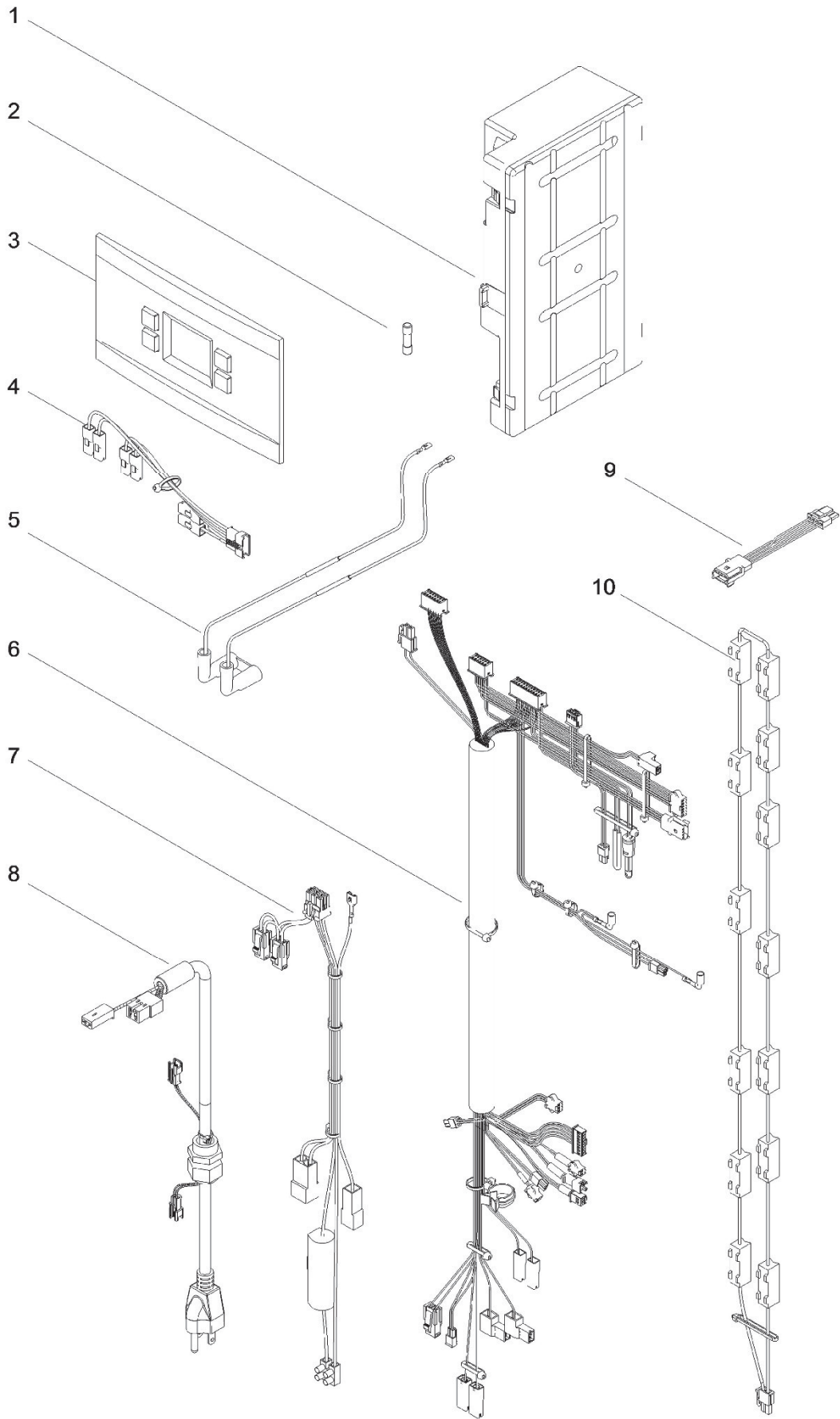
Item	Description	Model	Model
		RTGK160	RTGK199
1	Combustion chamber	8 738 714 987	8 738 714 984
2	Gasket	8 738 714 989	8 738 714 988
3	Ignition electrode	8 738 714 990	8 738 714 990
4	Gasket	8 738 714 991	8 738 714 991
5	Ionization electrode	8 738 714 992	8 738 714 992
6	Gasket	8 738 714 993	8 738 714 993
7	Gasket	8 738 714 995	8 738 714 994
8	Condensing heat exchanger	8 738 714 997	8 738 714 996
9	Side cover	8 738 714 998	8 738 714 998
10	Washer	8 738 714 999	8 738 714 999
11	Gasket	8 738 715 017	8 738 715 016
13	Temperature sensor	8 738 714 965	8 738 714 965
14	Screw (x10)	8 738 708 770	8 738 708 770
15	Clip (x5)	8 738 715 019	8 738 715 019
16	O-ring (x10)	8 700 205 147 0	8 700 205 147 0
17	Pipe	8 738 715 021	8 738 715 020
18	Clip (x10)	8 701 201 028 0	8 701 201 028 0
19	Collector condensate	8 738 715 023	8 738 715 022
20	Gasket	8 738 714 962	8 738 714 962
22	Siphon	8 738 715 030	8 738 715 030
23	Connection pipe	7 838 715 031	7 838 715 031



Item	Description	Model	Model	Model	Model
		RTGK160N1	RTGK160X1	RTGK199N1	RTGK199X1
1	Burner	8 738 715 034	8 738 715 034	8 738 715 033	8 738 715 033
2	Gasket	8 738 715 036	8 738 715 036	8 738 715 035	8 738 715 035
3	Gasket	8 738 714 989	8 738 714 989	8 738 714 988	8 738 714 988
4	Screw (x10)	8 738 715 037	8 738 715 037	8 738 715 037	8 738 715 037
5	Gasket	8 738 715 038	8 738 715 038	8 738 715 038	8 738 715 038
6	Fan	8 738 715 039	8 738 715 039	8 738 715 039	8 738 715 039
7	Gas manifold	8 738 715 041	8 738 715 366	8 738 715 040	8 738 717 365
8	Solenoid valve RD15	8 738 715 043	8 738 715 043	8 738 715 042	8 738 715 042
9	O-ring (x10)	8 700 205 240 0	8 700 205 240 0	8 738 715 044	8 738 715 044
10	Solenoid valve RD15	8 738 715 043	8 738 715 043	8 738 715 043	8 738 715 043
11	O-ring (x10)	8 700 205 240 0	8 700 205 240 0	8 700 205 240 0	8 700 205 240 0
12	Gasket (160/199 kBtu)	8 738 715 045	---	8 738 715 045	---
14	Gas pipe	8 738 715 047	8 738 715 047	8 738 715 046	8 738 715 046
15	Washer-fiber 24OD x 16ID x 2MM (x10)	8 700 103 014 0	8 700 103 014 0	8 700 103 014 0	8 700 103 014 0
16	Gas valve	8 738 715 048	8 738 715 048	8 738 715 048	8 738 715 048
17	Gas connection	8 738 715 049	8 738 715 049	8 738 715 049	8 738 715 049
18	O-ring 23.8x3.95 (x10)	8 738 703 498 0	8 738 703 498 0	8 738 703 498 0	8 738 703 498 0
19	Screw - Oval head DIN7985 M5x8	2 910 649 149 0	2 910 649 149 0	2 910 649 149	2 910 649 149
20	Pressure balance tube	8 738 715 051	8 738 715 051	8 738 715 051	8 738 715 051
21	Burner (burning surface) 160 kBtu	8 738 715 161	8 738 715 161	8 738 715 160	8 738 715 160
22	Flow regulator complete (LPG 160k Btu)	---	8 738 717 367	---	8 738 717 368



Item	Description	Model	Model
		RTGK160	RTGK199
1	Water valve with engine	8 738 715 053	8 738 715 053
2	Clip (x5)	8 738 715 019	8 738 715 019
3	O-ring (x10)	8 700 205 147 0	8 700 205 147 0
4	Pipe cold water	8 738 715 055	8 738 715 055
6	Clip (x5)	8 738 715 061	8 738 715 061
7	O-ring (x10)	8 700 205 157 0	8 700 205 157 0
8	T Connector 3-1	8 738 715 058	8 738 715 058
9	O-ring (x10)	8 738 702 459 0	8 738 702 459 0
10	Temperature sensor	8 738 715 018	8 738 715 018
11	O-ring (x10)	8 700 205 310 0	8 700 205 310 0
12	Connection nipple (inlet)	8 738 715 062	8 738 715 062
13	O-ring (x10)	8 700 205 019 0	8 700 205 019 0
14	Screw - Oval-head DIN7985 M5x8	2 910 649 149 0	2 910 649 149 0
15	Connection pipe	8 738 715 063	8 738 715 063
16	Retaining clip Cpl.	8 738 704 703 0	8 738 704 703 0
17	O-ring (x10)	8 738 712 694	8 738 712 694
18	Valve bypass	8 738 702 561 0	8 738 702 561 0
19	Sealing washer 23.9 X 17.2 X 1.5 (x10)	8 710 103 043 0	8 710 103 043 0
20	Bypass	8 738 715 064	8 738 715 064
21	Pipe	8 738 715 069	8 738 715 068
22	Pip hot water	8 738 715 070	8 738 715 070
23	Clip (x10)	8 701 201 028 0	8 701 201 028 0
24	Connection pipe	8 738 715 072	8 738 715 071
25	Temperature sensor	8 738 715 073	8 738 715 073



Item	Description	Model	Model
		RTGK160	RTGK199
1	Control unit	8 738 715 074	8 738 715 074
2	Fusing element T4A (x10)	1 904 521 346 0	1 904 521 346 0
3	User interface	8 738 718 534	8 738 718 534
4	Cables	8 738 715 076	8 738 715 076
5	Ignition cable	8 738 715 077	8 738 715 077
6	Cable harness	8 738 715 079	8 738 715 079
7	Cable	8 738 718 532	8 738 718 532
8	Power supply cord	8 738 715 082	8 738 715 082
9	Data cable	8 738 715 166	8 738 715 166
10	Antifreeze cable	8 738 715 167	8 738 715 167



BRADFORD WHITE®

W A T E R H E A T E R S

Ambler, PA

For U.S. and Canada field service,
contact your professional installer or
local Bradford White sales representative.

Sales/800-523-2931
Fax/215-641-1670
Parts Fax/215-641-2180

Technical Support/800-334-3393
Fax/269-795-1089

Warranty/800-531-2111
Fax/269-795-1089

International:
Telephone/215-641-9400
Telefax/215-641-9750



BRADFORD WHITE™

W A T E R H E A T E R S

Halton Hills, Ontario, Canada

Sales & Technical Support/866-690-0961
905-203-0600

Fax/905-636-0666

Email

parts@bradfordwhite.com
techserv@bradfordwhite.com

www.bradfordwhite.com