

BEASLEY FREESTANDING TUB FAUCET WITH HAND SHOWER

SKU: 948654

Code: SHBEFS2000G, SHFSR2000WS, SHFSR2000



FEATURES

Material: Metal construction for strength and durability

Faucet Centers: Single-Hole

Installation Type: Freestanding

Flow Rate: 10.8 gpm (40.9 L/min) @ 80 psi

Hand Shower Flow Rate: 1.8 gpm (6.8 L/min) @ 80 psi

Spray Type: Full, Massage, Massage + Full

Cartridge Type: Ceramic Disc

Swivel Spout: No

Required for Installation: Rough-in valve: SHFSR2000 or SHFSR2000WS

ASME A112.18.1/CSA B125.1, ICC/ANSI A117.1, CEC Listed, WaterSense by IAPMO, Massachusetts Accepted, LISTED ID: SHBEFS2000G*, SHFSR2000WS, SHFSR2000



ADDITIONAL FEATURES

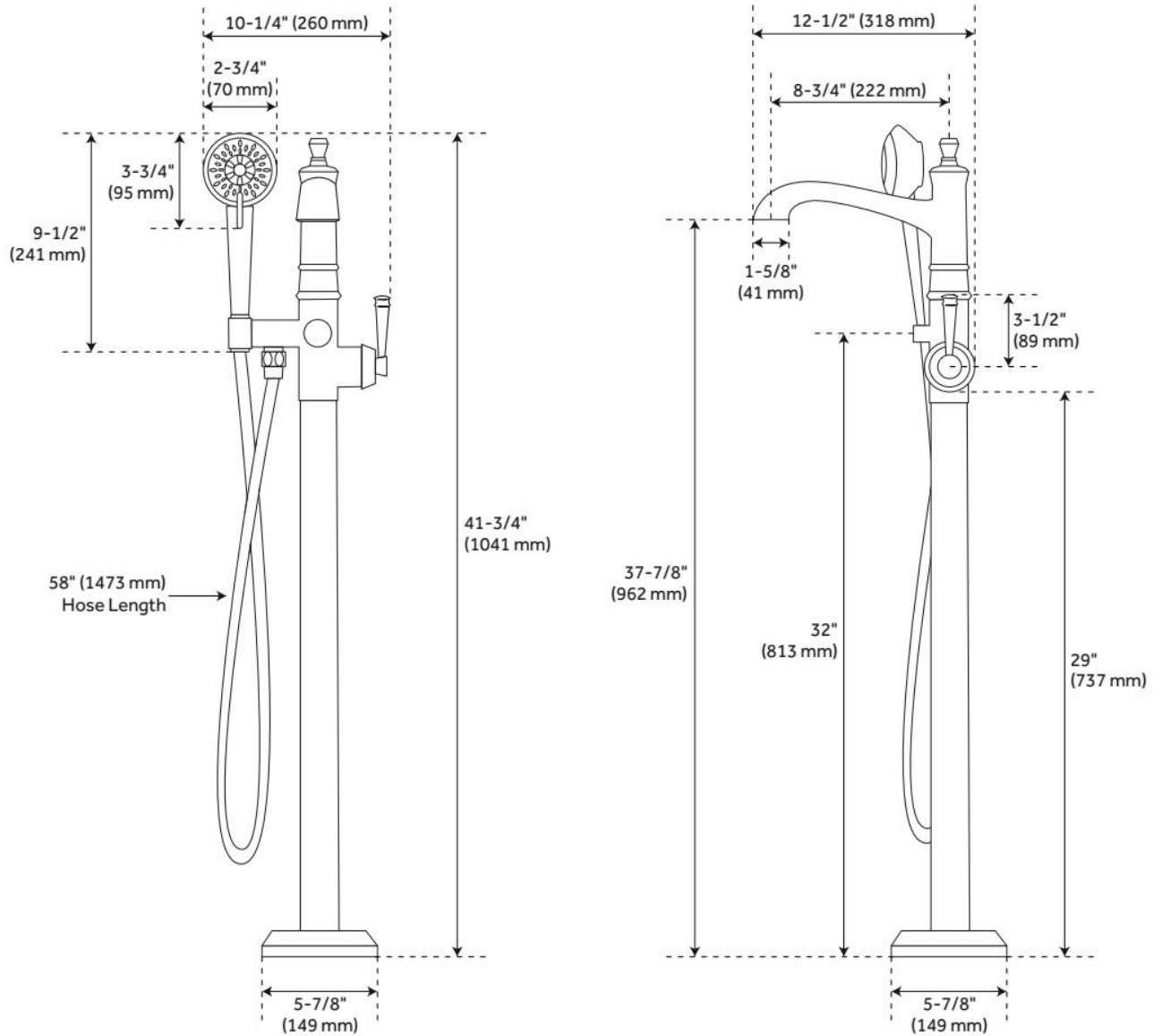
- Three function hand shower (full spray, massage, spray + massage).
- Integral diverter to hand shower.
- Handshower includes factory installed backflow prevention check valve.
- Underfloor access is required for proper installation. Installation on an existing concrete slab will require cutting and concrete removal.
- Optional rough-in valve is required for use.

REVISED 2/17/2025

BEASLEY FREESTANDING TUB FAUCET WITH HAND SHOWER

SKU: 948654

Code: SHBEFS2000G, SHFSR2000WS, SHFSR2000



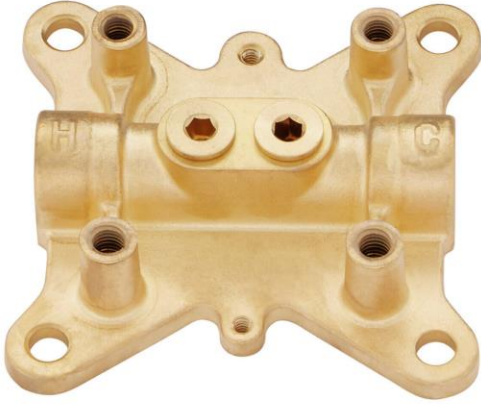
REVISED 2/17/2025

FREESTANDING TUB FAUCET ROUGH-IN VALVE

SKU: 446521
Code: SHFSR2000

FEATURES

Material: Metal construction for strength and durability



IAPMO, ASME A112.18.1/CSA B125.1, Massachusetts Accepted, LISTED ID: SHFSR2000



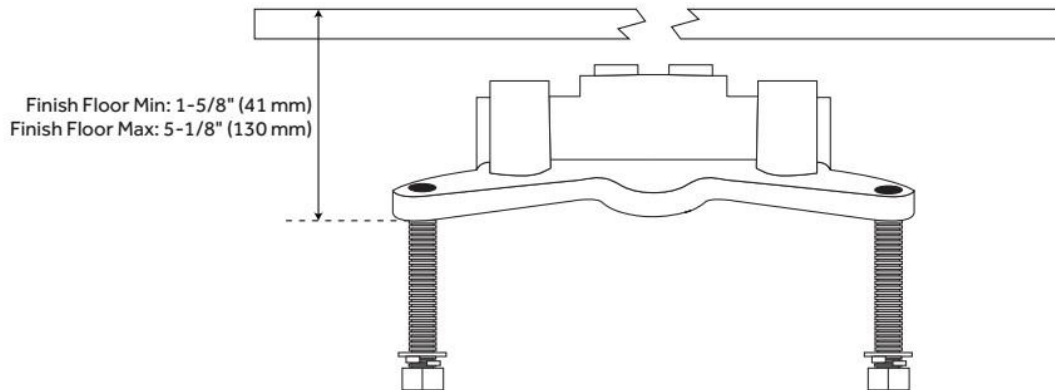
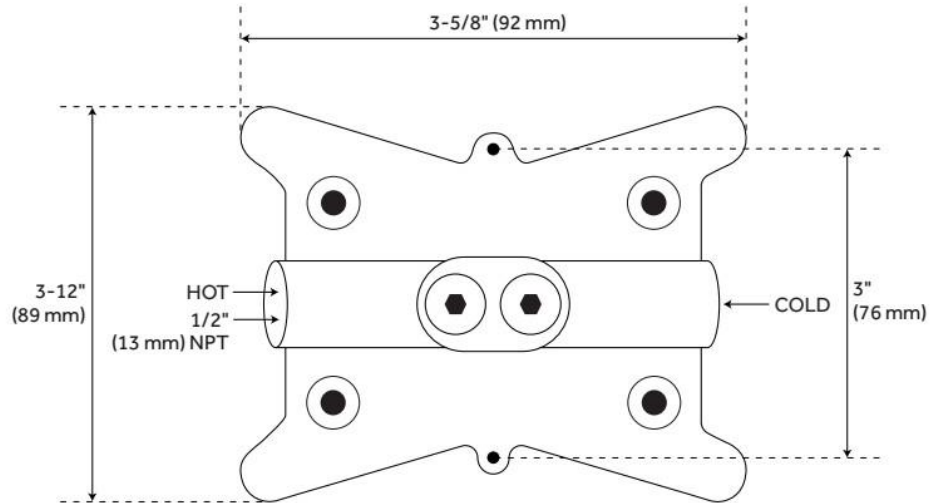
ADDITIONAL FEATURES

- Not compatible with Ryle, Napier, Keswick, Copper and Cybelle Freestanding Tub Faucets.

REVISED 2/17/2025

FREESTANDING TUB FAUCET ROUGH-IN VALVE

SKU: 446521
Code: SHFSR2000



REVISED 2/17/2025