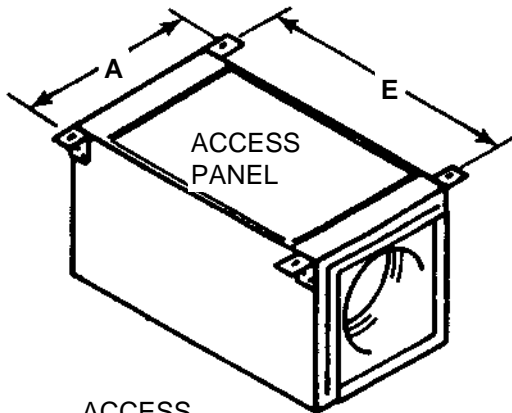
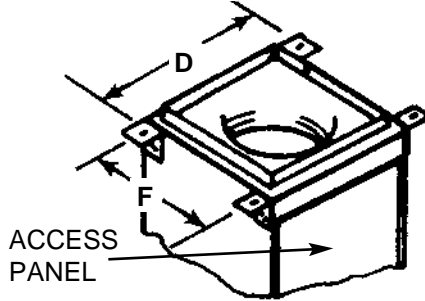


**Imperial [IP] Dimensions**  
Metric (SI) on Reverse Side

CARNES COMPANY 448 S. Main St., P. O. Box 930040, Verona, WI 53593-0040 Phone: (608)845-6411 Fax: (608)845-6504 www.carnes.com



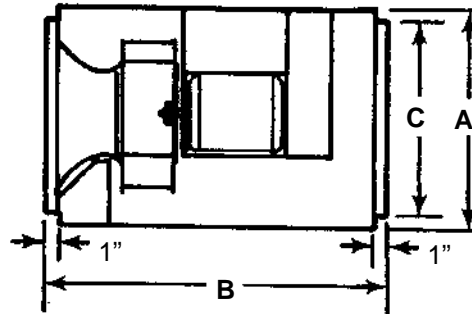
ACCESS PANEL



ACCESS PANEL

**NOTE:** OPTIONAL MOUNTING BRACKETS MAY BE MOUNTED ON SIDES OR ENDS OF UNIT FOR FLOOR, CEILING OR VERTICAL MOUNTING

**(ARRANGE FOR BEST USE OF ACCESS PANELS)**



**STANDARD FEATURES**

- Non-overloading, backwardly inclined wheel.
- Integral motor overload protection on all standard single phase motors.
- Spark resistant wheel.
- Safety disconnect standard for all motors except explosion proof.
- Housing corrosion resistant heavy gauge steel.
- AMCA Type C construction.
- Heavy duty internal support structure.
- Licensed to carry AMCA Seal for sound and air ratings.
- UL 705 label for Electrical Safety and Reliability available.

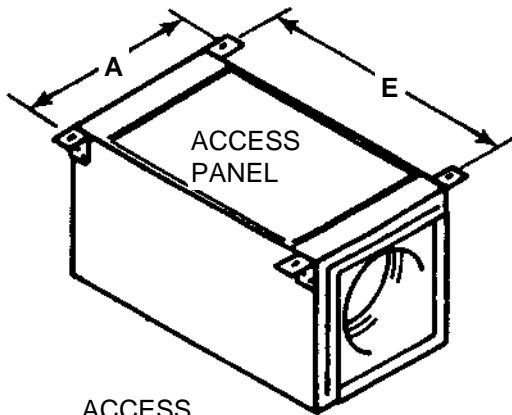
**DIMENSIONS LISTED IN INCHES**

Unit Size	A	B	C	D	E	F
06	14	28-5/8	12	16-1/2	25-1/8	12-1/2
08	14	28-5/8	12	16-1/2	25-1/8	12-1/2
10	18	32-1/8	16	20-1/2	28-5/8	16-1/2
12	18	32-1/8	16	20-1/2	28-5/8	16-1/2
15	24	34-7/8	22	26-1/2	31-3/8	22-1/2
18	28	36-1/8	26	30-1/2	32-5/8	26-1/2

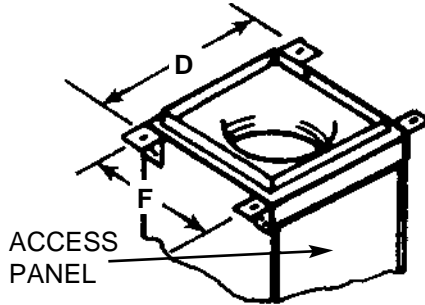
STANDARD MATERIAL AND THICKNESS					Average Weight Lbs.	Inlet or Outlet Area
Unit Size	Galv. Housing Gauge	Venturi Inlet	Shaft Dia. (CRS)	Standard Wheel		
06	20	22 ga. galv.	3/4"	Aluminum	60	1.0 Sq. Ft.
08	20	22 ga. galv.	3/4"	Aluminum	60	1.0 Sq. Ft.
10	20	22 ga. galv.	3/4"	Aluminum	75	1.78 Sq. Ft.
12	20	22 ga. galv.	3/4"	Aluminum	75	1.78 Sq. Ft.
15	20	22 ga. galv.	3/4"	Aluminum	90	3.36 Sq. Ft.
18	18	.063 Alum.	3/4"	Aluminum	140	4.69 Sq. Ft.

**Metric (SI) Dimensions**  
*Imperial [IP] on Reverse Side*

CARNES COMPANY 448 S. Main St., P. O. Box 930040, Verona, WI 53593-0040 Phone: (608)845-6411 Fax: (608)845-6504 www.carnes.com



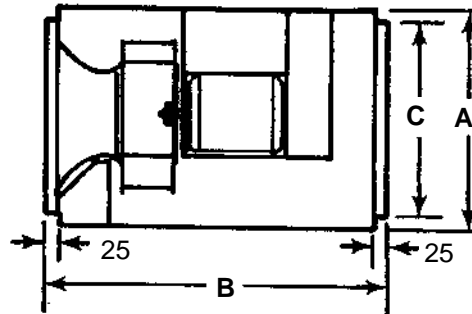
ACCESS PANEL



ACCESS PANEL

**NOTE:** OPTIONAL MOUNTING BRACKETS MAY BE MOUNTED ON SIDES OR ENDS OF UNIT FOR FLOOR, CEILING OR VERTICAL MOUNTING

**(ARRANGE FOR BEST USE OF ACCESS PANELS)**



**STANDARD FEATURES**

- Non-overloading, backwardly inclined wheel.
- Integral motor overload protection on all standard single phase motors.
- Spark resistant wheel.
- Safety disconnect standard for all motors except explosion proof.
- Housing corrosion resistant heavy gauge steel.
- AMCA Type C construction.
- Heavy duty internal support structure.
- Licensed to carry AMCA Seal for sound and air ratings.
- UL 705 label for Electrical Safety and Reliability available.

**DIMENSIONS LISTED IN MILLIMETERS**

Unit Size	A	B	C	D	E	F
06	356	727	305	419	638	318
08	356	727	305	419	638	318
10	457	816	406	521	727	419
12	457	816	406	521	727	419
15	610	886	559	673	797	572
18	711	918	660	775	829	673

STANDARD MATERIAL AND THICKNESS					Average Weight Kgs	Inlet or Outlet Area
Unit Size	Galv. Housing Gauge	Venturi Inlet	Shaft Dia. (CRS)	Standard Wheel		
06	20	22 ga. galv.	19	Aluminum	30	0.093 sq. m
08	20	22 ga. galv.	19	Aluminum	30	0.093 sq. m
10	20	22 ga. galv.	19	Aluminum	36	0.165 sq. m
12	20	22 ga. galv.	19	Aluminum	36	0.165 sq. m
15	20	22 ga. galv.	19	Aluminum	43	0.312 sq. m
18	18	1.6 Alum.	19	Aluminum	66	0.436 sq. m