



BRADFORD WHITE[®]
W A T E R H E A T E R S

INDIRECT HEATER REPLACEMENT PARTS LIST
Single Wall Indirect (SW) Models



Includes Hydrojet[®]
Total Performance System

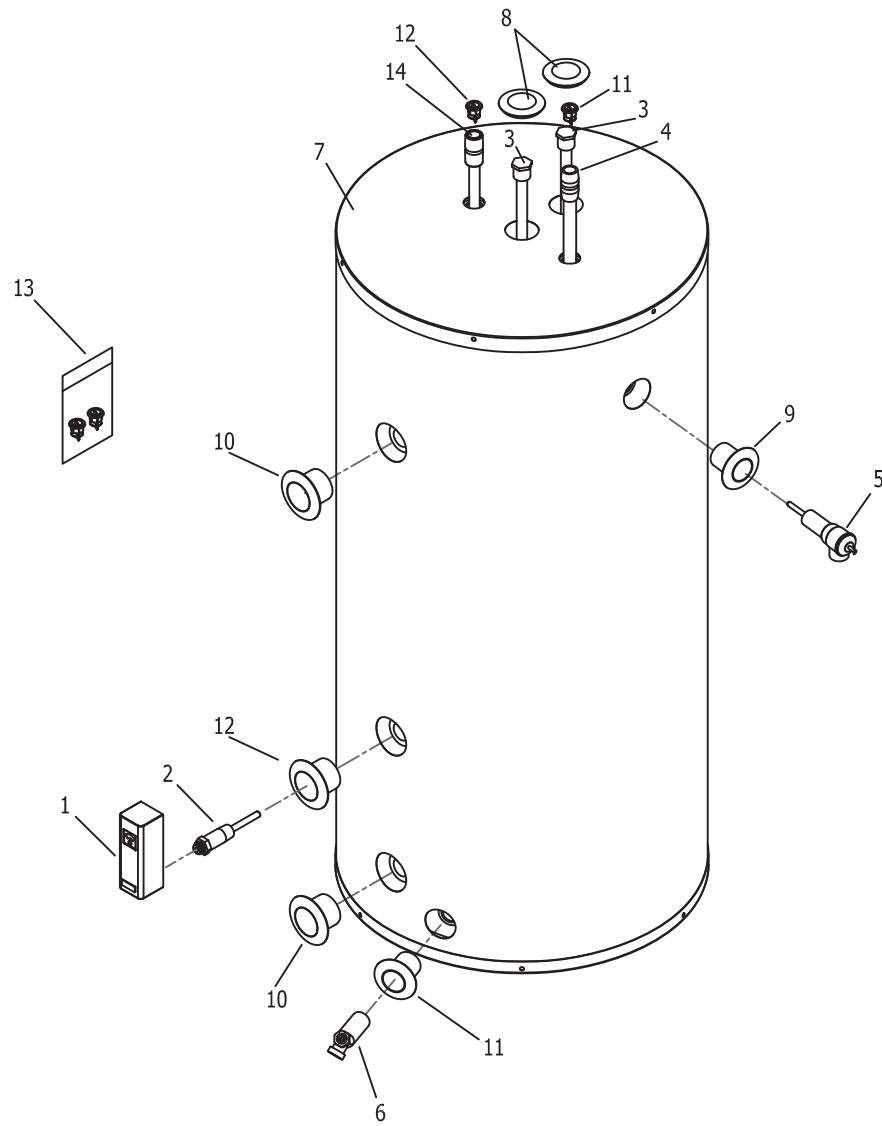
Effective: January, 2019
ECO 8227

NOTE: BOTH MODEL AND SERIAL
NUMBERS ARE REQUIRED FOR
ORDERING REPLACEMENT PARTS

Dimensions and specifications
subject to change without notice.

WARNING
CANCER AND REPRODUCTIVE HARM
WWW.P65WARNINGS.CA.GOV

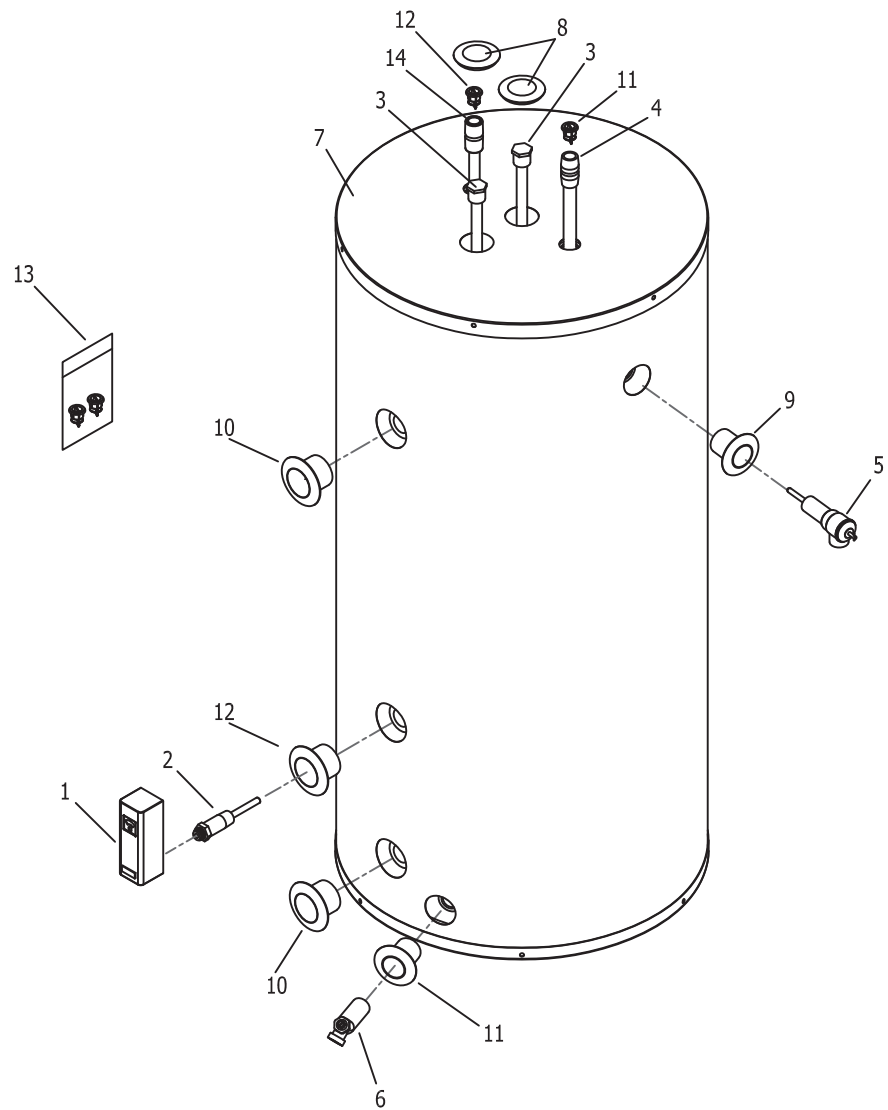
As required by the state of California Proposition 65.



Item	Description	Model	Model	Model	Model
		SW-2-30-L	SW-2-40R-L	SW-2-50R-L	SW-2-65-L
1	Aquastat	243-44416-00	243-44416-00	243-44416-00	243-44416-00
2	Aquastat Well	233-43315-00	233-43315-00	233-43315-00	233-43315-00
3	Anode-Hex Plug type (aluminum)#	224-38508-07	224-38508-07	224-38508-01	224-38508-07
	Anode-Hex Plug type (A420 Aluminum)#	224-49559-04	224-49559-04	224-49559-04	224-49559-04
4	Cold Water Inlet Dip Tube (PEX)	229-51230-02*	229-51230-16	229-51230-06	229-51230-10*
5	T&P Relief Valve	230-40594-02	230-40594-02	230-40594-02	230-40594-02
6	Brass Drain Valve	265-42351-02	265-42351-02	265-42351-02	265-42351-02
7	Jacket Head	239-53408-00	239-53408-00	239-53408-00	239-53408-00
8	Hole Closure	239-31547-02	239-31547-02	239-31547-02	239-31547-02
9	Escutcheon 2"	239-41337-00	239-41337-00	239-41337-00	239-41337-00
10	Escutcheon Coil Fitting	239-47978-00	239-47978-00	239-47978-00	239-47978-00
11	Heat Trap Insert (Inlet)	239-51556-00	239-51556-00	239-51556-00	239-51556-00
12	Heat Trap Insert (Outlet)	239-45167-00	239-45167-00	239-45167-00	239-45167-00
13	Heat Trap Kit (Inlet & Outlet)	265-51572-00	265-51572-00	265-51572-00	265-51572-00
14	Hot Water Outlet Anode (Aluminum)	224-32999-07	224-32999-13	224-32999-07	224-32999-07

* Nipple extender 229-19100-00 may be required for earlier models, please provide serial number.
Anode may need to be cut to length

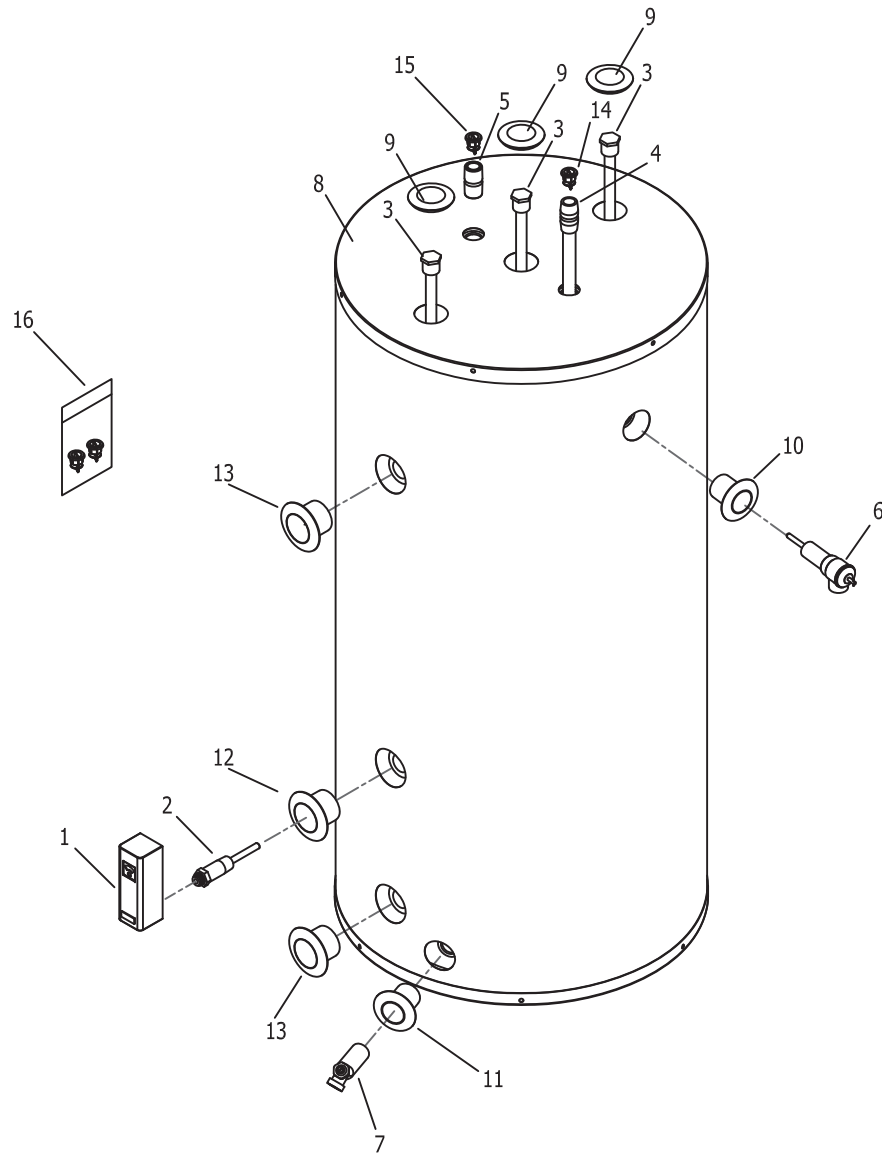




Item	Description	Model
		SW-2-80-L
1	Aquastat	243-44416-00
2	Aquastat Well	233-43315-00
3	Anode-Hex Plug type (aluminum)#	224-38508-07
	Anode-Hex Plug type (A420 Aluminum)#	224-49559-04
4	Cold Water Inlet Dip Tube (PEX)	229-51230-10*
5	T&P Relief Valve	230-40594-03
6	Brass Drain Valve	265-42351-02
7	Jacket Head	239-53410-00
8	Hole Closure	239-31547-02
9	Escutcheon 2"	239-41337-00
10	Escutcheon Coil Fitting	239-47978-00
11	Heat Trap Insert (Inlet)	239-51556-00
12	Heat Trap Insert (Outlet)	239-45167-00
13	Heat Trap Kit (Inlet & Outlet)	265-51572-00
14	Hot Water Outlet Anode (Aluminum)	224-32999-07

* Nipple extender 229-19100-00 may be required for earlier models, please provide serial number.

Anode may need to be cut to length



Item	Description	Model	Model	Model	Model	Model	Model
		SW-2-40-L	SW-2-50-L	SW-2-120-L	SW-65C-5	SW-80C-5	SW-120C-5
1	Aquastat	243-44416-00	243-44416-00	243-44416-00	243-44416-00	243-44416-00	243-44416-00
2	Aquastat Well	233-43315-00	233-43315-00	233-43315-00	233-43315-00	233-43315-00	233-43315-00
3	Anode-Hex Plug type (aluminum)#	224-47783-08	224-47783-08	224-38508-07	224-38508-07	224-38508-07	224-38508-07
	Anode-Hex Plug type (A420 Aluminum)#	224-49559-04	224-49559-04	N/A	N/A	N/A	N/A
4	Cold Water Inlet Dip Tube (PEX)	229-51230-02*	229-51230-02*	229-43632-04	229-43632-01	229-43632-01	229-43632-04
5	Hot Water Outlet Nipple	N/A	N/A	229-50053-02	229-50053-04	229-50053-04	229-50053-02
6	T&P Relief Valve	230-40594-02	230-40594-02	230-40594-03	230-33630-04	230-33630-04	230-33630-04
7	Brass Drain Valve	265-42351-02	265-42351-02	265-42351-02	265-42351-02	265-42351-02	265-42351-02
8	Jacket Head	239-51393-02	239-51393-03	239-51393-04	239-51392-02	239-51393-01	239-51393-04
9	Hole Closure	239-31547-02	239-31547-02	239-31547-02	239-31547-02	239-31547-02	239-31547-02
10	Escutcheon 2"	239-41337-00	239-41337-00	239-41337-00	239-81470-02	239-81470-02	239-81470-02
11	Escutcheon 2"	239-41337-00	239-41337-00	239-41337-00	239-41337-00	239-41337-00	239-41337-00
12	Escutcheon 2"	239-41337-00	239-41337-00	239-41337-00	239-41414-00	239-41414-00	239-41414-00
13	Escutcheon Coil Fitting	239-47978-00	239-47978-00	239-47978-00	239-47978-00	239-47978-00	239-47978-00
14	Heat Trap Insert (Inlet)	239-51556-00	239-51556-00	N/A	N/A	N/A	N/A
15	Heat Trap Insert (Outlet)	239-45167-00	239-45167-00	N/A	N/A	N/A	N/A
16	Heat Trap Kit (Inlet & Outlet)	265-51572-00	265-51572-00	N/A	N/A	N/A	N/A
17	Hot Water Outlet Anode (Aluminum)	N/A	N/A	N/A	N/A	N/A	N/A



BRADFORD WHITE®

W A T E R H E A T E R S

Ambler, PA

For U.S. and Canada field service,
contact your professional installer or
local Bradford White sales representative.

Sales/800-523-2931

Technical Support/800-334-3393
Email/techserv@bradfordwhite.com

Warranty/800-531-2111
Email/warranty@bradfordwhite.com

Service Parts/800-538-2020
Email/Parts@bradfordwhite.com

International:
international@bradfordwhite.com



BRADFORD WHITE™ **CANADA**

Halton Hills, Ontario, Canada

Sales & Technical Support/866-690-0961
905-203-0600

Fax/905-636-0666

Email

Warranty/bwccwarranty@bradfordwhite.com
Technical Support/BWCCTech@bradfordwhite.com
Parts/orders@bradfordwhitecanada.com
Orders/ca.orders@bradfordwhite.com

www.bradfordwhite.com