

Features

- Pressure-balancing diaphragm technology maintains outlet temperature within +/-3°F during water pressure fluctuations.
- Provides temperature regulation and automatic anti-scald protection.
- Single handle controls both on/off activation and temperature settings.
- Includes faceplate with ADA-compliant metal lever handle.
- For use with any KOHLER showerhead (sold separately).
- Coordinates with Hint™ bathroom sink faucets and bath faucets.

Material

- Premium material construction with metal handle ensures reliability and durability.
- KOHLER finishes resist corrosion and tarnishing.

Installation

- Trim only; requires valve to complete installation (sold separately).

Required Products/Accessories

K-8304-K Valve Body & Cartridge Kit Complete

or

K-8304-KS Valve Body & Cartridge Kit Complete

or

K-8304-PS Valve Body & Cartridge Kit Complete

or

K-8304-PX Valve Body & Cartridge Kit Complete

or

K-8304-US Valve Body & Cartridge Kit Complete

or

K-8304-UX Valve Body & Cartridge Kit Complete

or

K-P8304-K Valve body and cartridge kit complete

or

K-P8304-KS Valve Body & Cartridge Kit Complete

or

K-P8304-SWX Valve Body & Cartridge Kit Complete

or

K-8300-K Valve Body Rough-In

K-8305 Pressure Balance Cartridge

or

K-8300-KS Valve Body Rough-In

K-8305 Pressure Balance Cartridge

or

K-8300-PX Valve Body Rough-In

K-8305 Pressure Balance Cartridge

or

K-8300-PS Valve Body Rough-In

K-8305 Pressure Balance Cartridge

or

1-800-4KOHLER (1-800-456-4537)

Kohler Co. reserves the right to make revisions without notice to product specifications.

For the most current Specification Sheet, go to www.kohler.com.



ADA

CSA B651

OBC

Codes/Standards

ASME A112.18.1/CSA B125.1

ADA

ICC/ANSI A117.1

CSA B651


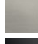


OBC

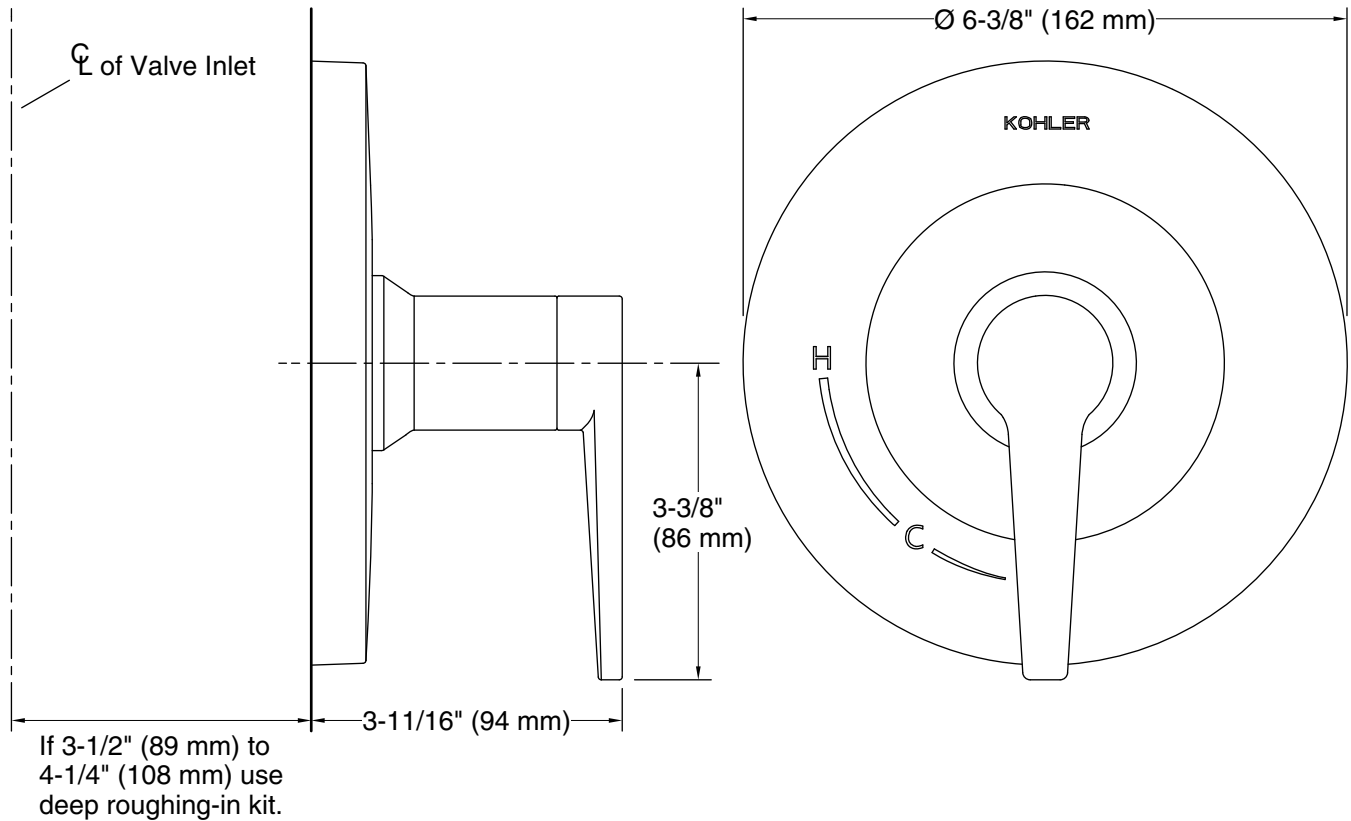
KOHLER[®] Faucet Lifetime Limited Warranty

See website for detailed warranty information.

Available Colors/Finishes

Color tiles intended for reference only.

Color	Code	Description
	CP	Polished Chrome
	BN	Vibrant [®] Brushed Nickel
	BL	Matte Black
	2MB	Vibrant [®] Brushed Moderne Brass



Technical Information

All product dimensions are nominal.

Drain included: No

Showerhead/Body Spray:

Rated maximum flow: 1.75 gal/min (6.6 l/min)

Pressure: 80 psi (5.5 bar)

Notes

For use with automatic compensating valves rated at 1.6 gal/min (6.1 l/min) or less.

Install this product according to the installation instructions.

Install straight pipe or tube drop of 7" (178 mm) to 18" (457 mm) with single elbow between the valve and the wall-mount spout.

ADA, OBC, CSA B651 compliant when installed to the specific requirements of these regulations.