

# FIGURE 751

## UL FM VALVES



### 150# UL FM GATE VALVE

#### FEATURES

- 300 PSI non-shock cold working pressure
- 32°-175°F temperature range
- Ductile iron body and bonnet
- 304 stainless steel stem
- EPDM encapsulated ductile iron disc
- Outside yoke and stem
- UL Listed/FM approved
- Pre-tapped and plugged for bypass
- Pre-grooved stem for tamper switch

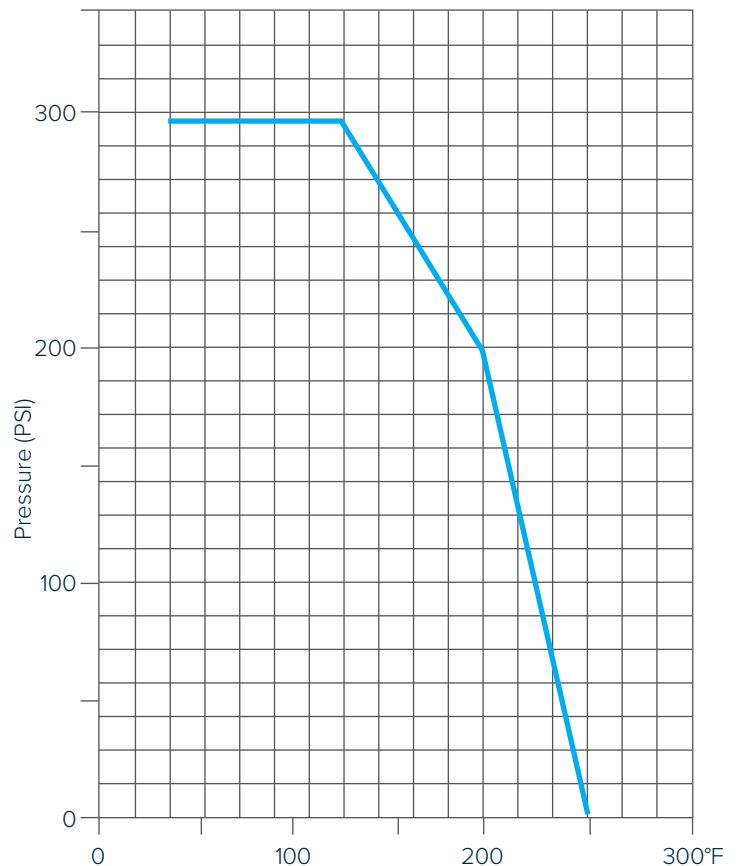
#### PRODUCT SPECIFICATIONS

##### Standards

- Design Standard: AWWA C515
- Connection Ends: Flange to ASME B16.42 CL 150
- Coating: Fusion Bonded Epoxy Coating in accordance with ANSI/AWWA C550
- Certified to NSF/ANSI/CAN 61



PRESSURE/TEMPERATURE



#### CV FLOW COEFFICIENT

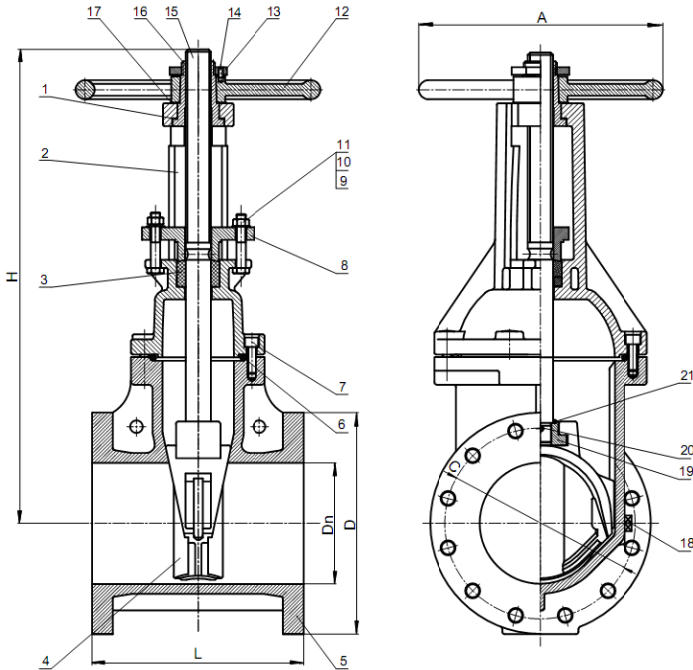
Size	Cv (FULL OPEN)
2.5"	350
3.0"	660
4"	1000
6"	2300
8"	4115
10"	6500

# FIGURE 751 UL FM VALVES



## 150# UL FM GATE VALVE

### PARTS BREAKDOWN



### PART MATERIALS

Ref #	Description	Material
1	Washer	Bronze C95400
2	Yoke	Ductile Iron ASTM A536
3	Stem Packing	Graphite
4	Disc and Encapsulate	Ductile Iron ASTM A536 + EPDM ASTM D2000
5	Body	Ductile Iron ASTM A536
6	Bonnet O-ring	EPDM ASTM D2000
7	Bonnet Bolt	Carbon Steel Black
8	Gland	Ductile Iron ASTM A536
9	Gland Nut	Stainless Steel SS304
10	Flat Washer	Stainless Steel SS304
11	Gland Bolt	Stainless Steel SS304
12	Handwheel	Ductile Iron ASTM A536
13	Lock Nut	Bronze C95400
14	Locating Screw	Stainless Steel SS304
15	Stem	Stainless Steel SS304
16	Cap Nut	Bronze C95400
17	Washers	Bronze C95400
18	Plug	Stainless Steel SS304
19	Stem Nut	Stainless Steel SS304
20	Pin	Stainless Steel SS304
21	O-ring	EPDM ASTM D2000

### DIMENSIONS

Item No.	Size	Dimensions (IN)						
		Dn	L	D <sub>KD</sub>	zC	n-d	H	Diameter of Handwheel A
FNW751L	2.5"	2.5	7.48	7.09	5.51	4- $\Phi$ 0.75	14.57	7.24
FNW751M	3"	3.00	7.99	7.48	5.98	4- $\Phi$ 0.75	16.54	10
FNW751P	4"	4.00	9.02	9.05	7.52	8- $\Phi$ 0.75	17.60	10
FNW751U	6"	6.00	10.51	11.02	9.49	8- $\Phi$ 0.87	23.90	12.2
FNW751X	8"	8.00	11.50	13.58	11.77	8- $\Phi$ 0.87	29.69	14
FNW75110	10"	10.00	12.99	15.95	14.25	8- $\Phi$ 1.00	35.04	17.5