

## PRODUCT SPECIFICATIONS

Elkay Crosstown® Stainless Steel 33-7/8" x 17" x 9" Double Bowl Farmhouse Sink for Interchangeable Apron™. Sink is manufactured from 16 gauge 304 Stainless Steel with a Polished Satin finish, Rear Center drain placement, and Sound Guard. Interchangeable Aprons are sold separately.

<b>Installation Type:</b>	Apron Front
<b>Material:</b>	304 Stainless Steel
<b>Special Features:</b>	Interchangeable Apron
<b>Finish:</b>	Polished Satin
<b>Gauge:</b>	16
<b>Sound Deadening:</b>	Sound Guard
<b>Number of Bowls:</b>	2
<b>Sink Dimensions:</b>	35-7/8" x 20-5/16" x 9"
<b>Bowl 1 Dimensions:</b>	18-15/16" x 17" x 9"
<b>Bowl 2 Dimensions:</b>	13-15/16" x 17" x 9"
<b>Drain Size:</b>	3-1/2" (89mm)
<b>Drain Location:</b>	Rear Center
<b>Minimum Cabinet Size:</b>	36"
<b>Mounting Hardware:</b>	Part # 54300008 included

**Special Note:** Apron(s) for Crosstown Farmhouse Sink with Interchangeable Apron feature sold separately.

**Interchangeable Apron:** The stylish look of a farmhouse sink with the ability to change the color and material of the apron from day to night, or whenever the mood strikes you. **Patents Pending**



\*Apron sold separately.

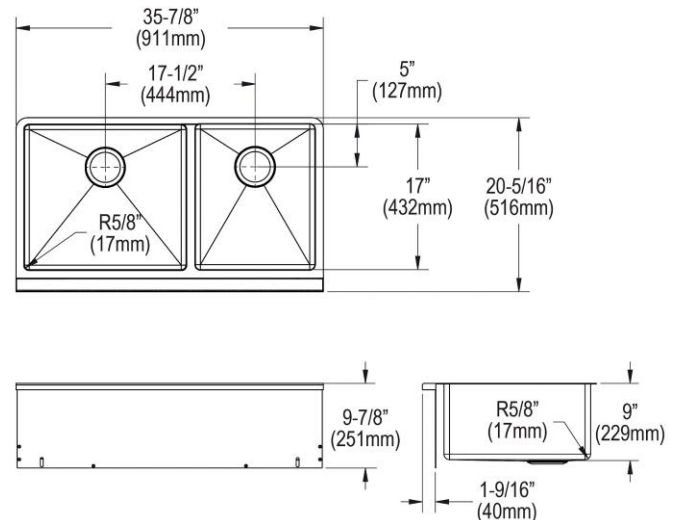
**AMERICAN PRIDE. A LIFETIME TRADITION.**  
Like your family, the Elkay family has values and traditions that endure. For almost a century, Elkay has been a family-owned and operated company, providing thousands of jobs that support our families and communities.

**Product Compliance:** ASME A112.19.3/CSA B45.4



Sinks are listed by IAPMO® as meeting the applicable requirements of the Uniform Plumbing Code®, International Plumbing Code®, and National Plumbing Code of Canada.

[Clean and Care Manual \(PDF\)](#)  
[Installation Instructions \(PDF\)](#)  
[Warranty \(PDF\)](#)



PART: \_\_\_\_\_ QTY: \_\_\_\_\_

PROJECT: \_\_\_\_\_

CONTACT: \_\_\_\_\_

DATE: \_\_\_\_\_

NOTES: \_\_\_\_\_

APPROVAL: \_\_\_\_\_

## Interchangeable Apron Color Options

In keeping with our policy of continuing product improvement, Elkay reserves the right to change product specifications without notice. Please visit [elkay.com](http://elkay.com) for the most current version of Elkay product specification sheets. This specification describes an Elkay product with design, quality, and functional benefits to the user. When making a comparison of other producers' offerings, be certain these features are not overlooked.

**(sold separately)**

**Stainless Steel:**



Champagne  
CTXACP  
(CP)

Graphite  
CTXAGT  
(GT)

Platinum  
CTXAPL  
(PL)



Sapphire  
CTXASP  
(SP)



Scarlet  
CTXASC  
(SC)



Sunset  
CTXASN  
(SN)

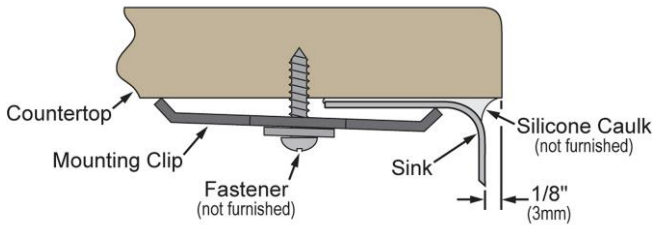
**Fireclay:**



Glacier  
CTXAFCGL  
(GL)

**Installation Profile:**

**1/8" OVERHANG**



Designed to affix to the underside of any solid surface countertop.

**OPTIONAL ACCESSORIES**

<b>Bottom Grid:</b>	CTXFBG1816, CTXFBG1316
<b>Drain:</b>	LKDD, LK99S, LK35
<b>Faucet:</b>	LKAV4061, LKEC2031, LKEC2037, LKAV4032

*In keeping with our policy of continuing product improvement, Elkay reserves the right to change product specifications without notice. Please visit [elkay.com](http://elkay.com) for the most current version of Elkay product specification sheets. This specification describes an Elkay product with design, quality, and functional benefits to the user. When making a comparison of other producers' offerings, be certain these features are not overlooked.*