



SERVICE PARTS

BULLETIN NO.
54-49-8400

SPECIFY CATALOG NO. AND SERIAL NO. WHEN ORDERING PARTS		REVISED BULLETIN	DATE
PACKOUT™ Rolling Tool Box Assembly			Feb. 2020
CATALOG NO. 48-22-8426	SERIAL NUMBER	WIRING INSTRUCTION	

48-22-8426 Includes:

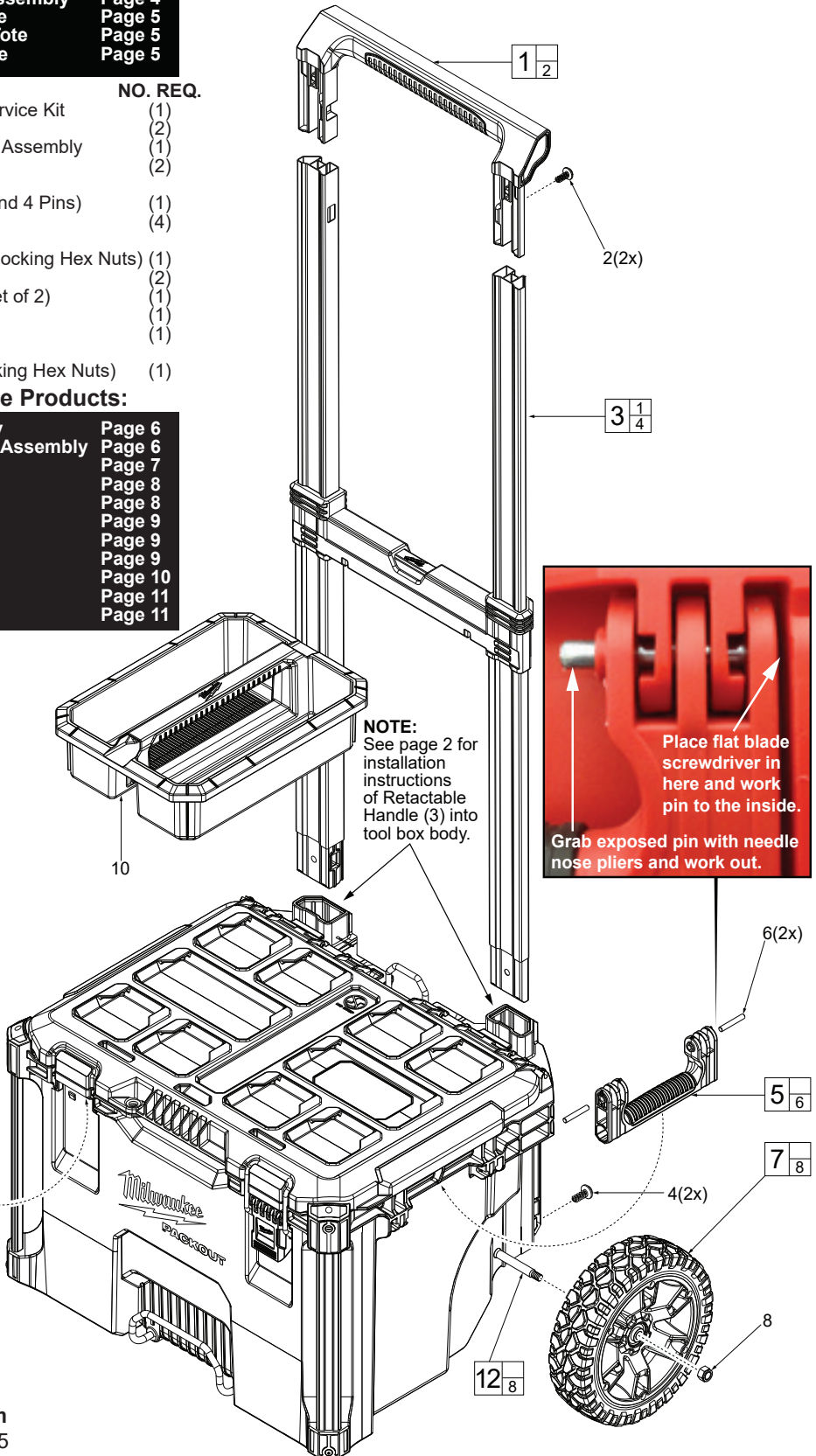
48-22-8425	PACKOUT™ Large Tool Box Assembly	Page 3
48-22-8424	PACKOUT™ Medium Tool Box Assembly	Page 3
48-22-8430	PACKOUT™ Organizer Assembly	Page 4
48-22-8435	PACKOUT™ Compact Organizer Assembly	Page 4
48-22-8310	PACKOUT™ Small 10" Storage Tote	Page 5
48-22-8315	PACKOUT™ Medium 15" Storage Tote	Page 5
48-22-8320	PACKOUT™ Large 20" Storage Tote	Page 5

EXAMPLE:
Component Parts (Small #) Are Included When Ordering The Assembly (Large #).

FIG.	PART NO.	DESCRIPTION OF PART	NO. REQ.
1	43-62-8400T	Retractable Handle Grip Service Kit	(1)
2	-----	Screw	(2)
3	43-62-8400	Retractable Handle Service Assembly	(1)
4	-----	Screw	(2)
5	43-62-8426	Side Handle Service Kit (Contains 2 Side Handles and 4 Pins)	(1)
6	-----	Pin	(4)
7	45-94-8426	Wheel Service Kit (Contains 2 Wheels and 2 Locking Hex Nuts)	(1)
8	-----	Locking Hex Nut	(2)
9	44-20-8400	Latch Service Assembly (Set of 2)	(1)
10	31-01-8400	Storage Tray	(1)
11	43-44-8400	Lid Gasket (Not Shown)	(1)
12	42-12-8426	Axle Service Kit (Contains 1 Axle and 2 Locking Hex Nuts)	(1)

***See page 6 thru 11 for Additional Storage Products:**

48-22-8431	PACKOUT™ S-Organizer Assembly	Page 6
48-22-8436	PACKOUT™ S-Organizer Compact Assembly	Page 6
48-22-8450	PACKOUT™ Tool Box Assembly	Page 7
48-22-8321	PACKOUT™ Medium 15" Tool Bag	Page 8
48-22-8322	PACKOUT™ Large 20" Tool Bag	Page 8
48-22-8300	PACKOUT™ Tech Bag	Page 9
48-22-8301	PACKOUT™ Jobsite Backpack	Page 9
48-22-8302	PACKOUT™ Jobsite Cooler	Page 9
48-22-8410	PACKOUT™ Flat Dolly	Page 10
48-22-8422	PACKOUT™ Compact Toolbox	Page 11
48-22-8460	PACKOUT™ Compact Cooler	Page 11



As an aid to removing a damaged Latch Assembly (9), use two large flat blade screwdrivers. Push blades between parts as shown. Twist both screwdrivers at same time to force the blades into opening and work the latch assembly over the two locking tabs.

To install a new latch assembly, position entire latch assembly over locking tabs with the two top lugs partially inserted in 'catch cavity' of main housing. Engage latch bar onto lid and gently press latch lever to slide assembly over two locking tabs and into place.

This removal and installation process will be the same where other service latches are offered in this system.

48-22-8300 PACKOUT™ Tech Bag



48-22-8301 PACKOUT™ Jobsite Backpack



48-22-8302 PACKOUT™ Jobsite Cooler



FIG.	PART NO.	DESCRIPTION OF PART	NO. REQ.
1	45-56-8300	Shoulder Strap (For Cooler & Tech Bag)	(1)
2	44-20-0305	Locker System	(1)

SEE PAGE 5 FOR INSTRUCTIONS ON REMOVING AND INSTALLING BOTH LOCKER SYSTEMS

