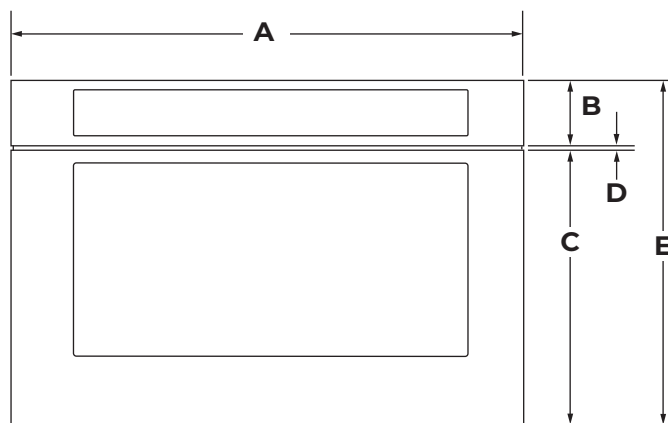


JENNAIR® DIMENSIONS

MICROWAVE DRAWERS

PRODUCT

	24" STAINLESS STEEL JMDFS24GS	24" NOIR™ JMDFS24HM	30" RISE™ JMDFS30HL	30" NOIR™ JMDFS30HM
Overall Width (A)	23-7/8" (60.6 cm)	23-7/8" (60.6 cm)	29-15/16" (76 cm)	29-15/16" (76 cm)
Control Panel Height (B)	3" (7.6 cm)	3" (7.6 cm)	3" (7.6 cm)	3" (7.6 cm)
Drawer Height (C)	12-3/4" (32.4 cm)	12-11/16" (32.3 cm)	12-3/4" (32.4 cm)	12-11/16" (32.3 cm)
Control Panel to Drawer Space (D)	1/4" (0.6 cm)	1/4" (0.6 cm)	1/4" (0.6 cm)	1/4" (0.6 cm)
Overall Height (E)	16" (40.6 cm)	16" (40.6 cm)	16" (40.6 cm)	16" (40.6 cm)



FRONT VIEW



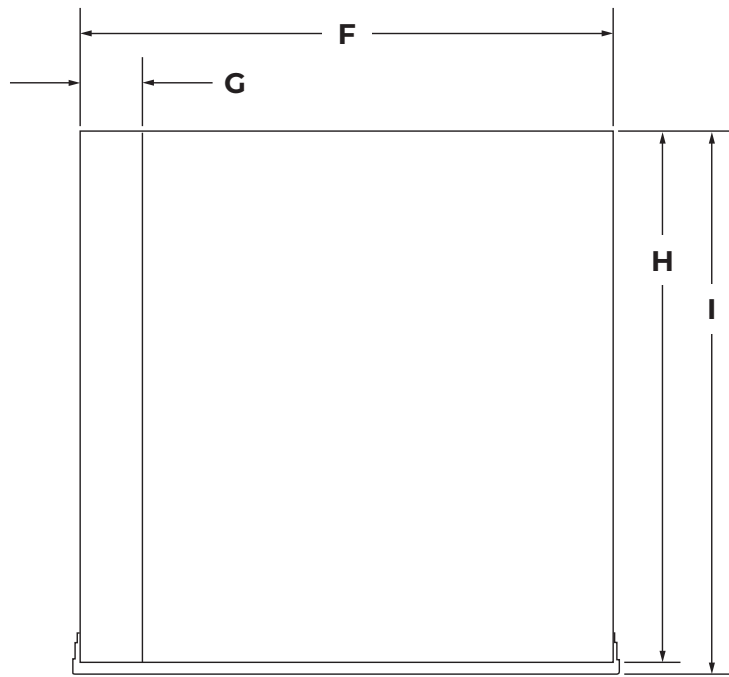
IMPORTANT: Dimensional specifications are provided for planning purposes only. Do not make any cutouts based on this information. Refer to the Installation Guide before selecting cabinetry, verifying electrical/gas connections, making cutouts or beginning installation. All JennAir® appliances are appropriately UL, CUL or CSA approved.

JENNAIR® DIMENSIONS

MICROWAVE DRAWERS

PRODUCT

	24" STAINLESS STEEL JMDFS24GS	24" NOIR™ JMDFS24HM	30" RISE™ JMDFS30HL	30" NOIR™ JMDFS30HM
Recessed Width (F)	21-5/8" (54.9 cm)	21-5/8" (54.9 cm)	21-5/8" (54.9 cm)	21-5/8" (54.9 cm)
Conduit Channel Width (G)	4-11/16" (11.9 cm)	4-11/16" (11.9 cm)	4-11/16" (11.9 cm)	4-11/16" (11.9 cm)
Depth without Drawer (H)	21-7/8" (55.6 cm)	21-7/8" (55.6 cm)	21-7/8" (55.6 cm)	21-7/8" (55.6 cm)
Depth with Drawer (I)	23-1/2" (59.7 cm)	23-11/16" (60.1 cm)	23-9/16" (58.9 cm)	23-11/16" (60.1 cm)



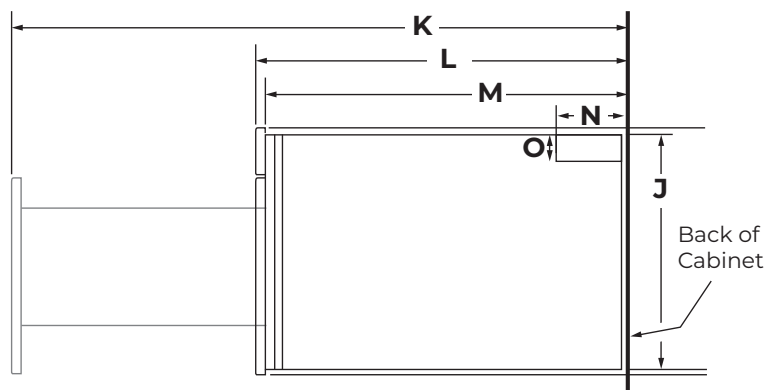
TOP VIEW

JENNAIR® DIMENSIONS

MICROWAVE DRAWERS

PRODUCT

	24" STAINLESS STEEL JMDFS24GS	24" NOIR™ JMDFS24HM	30" RISE™ JMDFS30HL	30" NOIR™ JMDFS30HM
Recessed Height (J)	14-5/8" (37.1 cm)	14-5/8" (37.1 cm)	14-5/8" (37.1 cm)	14-5/8" (37.1 cm)
Drawer Open Depth (K) (Flush Receptacle)	38-5/16" (97.3 cm)	38-1/2" (97.8 cm)	38-3/8" (97.4 cm)	38-1/2" (97.8 cm)
Drawer Open Depth (K) (Non-flush Receptacle)	42-13/16" (108.7 cm)	43" (109.2 cm)	42-13/16" (108.8 cm)	43" (109.2 cm)
Depth with Drawer (L) (Flush Receptacle)	23-5/16" (59.2 cm)	23-1/2" (59.7 cm)	23-3/8" (59.3 cm)	23-1/2" (59.7 cm)
Depth with Drawer (L) (Non-flush Receptacle)	27-13/16" (70.6 cm)	28" (71.1 cm)	27-13/16" (70.7 cm)	28" (71.1 cm)
Depth without Drawer (M) (Flush Receptacle)	21-7/8" (55.6 cm)	21-7/8" (55.6 cm)	21-7/8" (55.6 cm)	21-7/8" (55.6 cm)
Depth without Drawer (M) (Non-flush Receptacle)	26-3/8" (67 cm)	26-3/8" (67 cm)	26-3/8" (67 cm)	26-3/8" (67 cm)
Conduit Channel Length (N)	4" (10.2 cm)	4" (10.2 cm)	4" (10.2 cm)	4" (10.2 cm)
Conduit Channel Height (O)	1-3/4" (4.4 cm)	1-3/4" (4.4 cm)	1-3/4" (4.4 cm)	1-3/4" (4.4 cm)



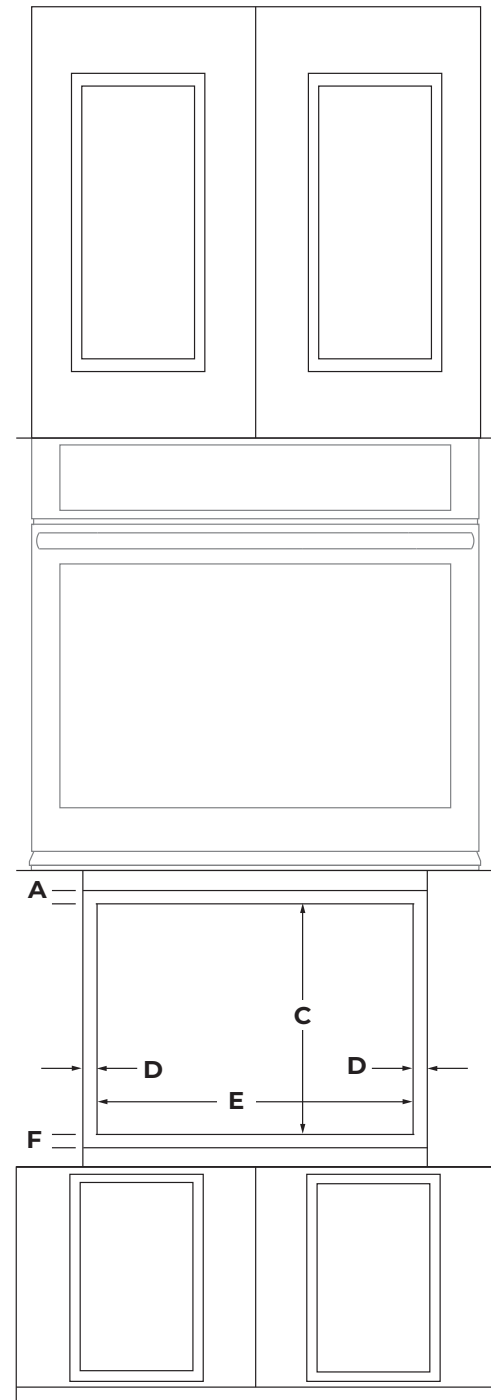
SIDE VIEW

JENNAIR® DIMENSIONS

MICROWAVE DRAWERS

STANDARD OPENING AND CLEARANCE

	24" STAINLESS STEEL JMDFS24GS	24" NOIR™ JMDFS24HM
Top Overlap Allowance (A)	9/16" (1.4 cm)	9/16" (1.4 cm)
Cutout Top to Oven or Countertop Bottom (B)	2" (5.1 cm) min.	2" (5.1 cm) min.
Cutout Height (C)	15-9/16" (39.5 cm)	15-9/16" (39.5 cm)
Side Overlap Allowance (D)	7/8" (2.2 cm)	7/8" (2.2 cm)
Cutout Width (E)	22-1/8" (56.2 cm)	22-1/8" (56.2 cm)
Bottom Overlap Allowance (F)	3/4" (1.9 cm)	3/4" (1.9 cm)
Cabinet Bottom to Cabinet Door Top (G)	2" (5.1 cm) min.	2" (5.1 cm) min.



FRONT VIEW

LOCATION REQUIREMENTS CHECKLIST

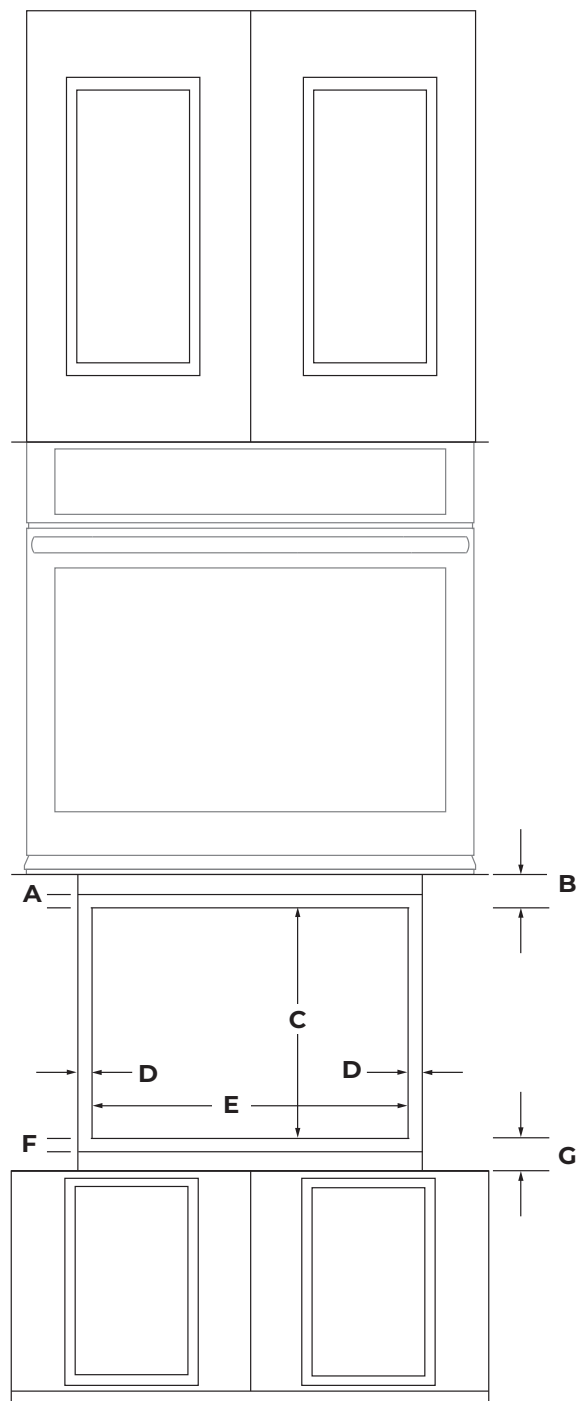
- Support structure must be able to support 100 lb. (45.4 kg), including microwave oven and contents.

JENNAIR® DIMENSIONS

MICROWAVE DRAWERS

STANDARD OPENING AND CLEARANCE

	30" RISE™ JMDFS30HL	30" NOIR™ JMDFS30HM
Top Overlap Allowance (A)	9/16" (1.4 cm)	9/16" (1.4 cm)
Cutout Top to Oven or Countertop Bottom (B)	2" (5.1 cm) min.	2" (5.1 cm) min.
Cutout Height (C)	15-9/16" (39.5 cm)	15-9/16" (39.5 cm)
Side Overlap Allowance (D)	11/16" (1.8 cm)	11/16" (1.8 cm)
Cutout Width (E)	22-1/8"-28-3/8" (56.2-72 cm)	22-1/8"-28-3/8" (56.2-72 cm)
Bottom Overlap Allowance (F)	3/4" (1.9 cm) min.	3/4" (1.9 cm) min.
Cabinet Bottom to Cabinet Door Top (G)	2" (5.1 cm) min.	2" (5.1 cm) min.



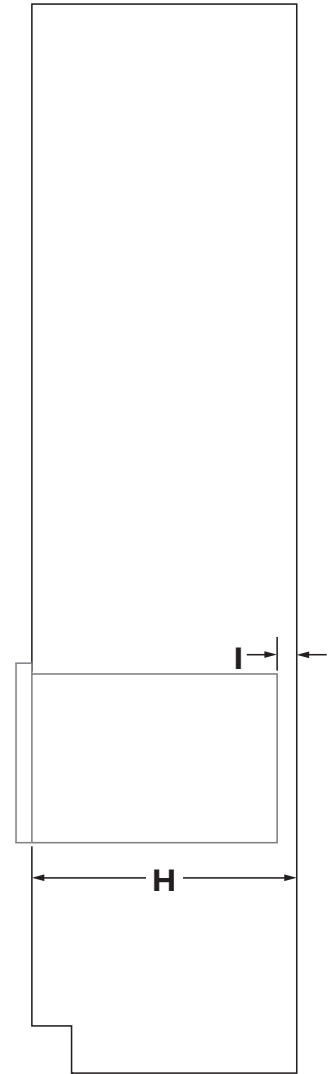
FRONT VIEW

JENNAIR® DIMENSIONS

MICROWAVE DRAWERS

STANDARD OPENING AND CLEARANCE

	24" STAINLESS STEEL JMDFS24GS	24" NOIR™ JMDFS24HM	30" RISE™ JMDFS30HL	30" NOIR™ JMDFS30HM
Cutout Depth (H) (Flush Receptacle)	23-1/2" (59.7 cm) min.	23-11/16" (60.2 cm) min.	23-9/16" (59.8 cm) min.	23-11/16" (60.2 cm) min.
Cutout Depth (H) (Non-flush Receptacle)	28" (71.1 cm) min.	28-3/16" (71.6 cm) min.	28-1/16" (71.2 cm) min.	28-3/16" (71.6 cm) min.
Microwave Back to Cabinet Back Depth (I)	3-1/2" (8.9 cm)	3-1/2" (8.9 cm)	3-1/2" (8.9 cm)	3-1/2" (8.9 cm)



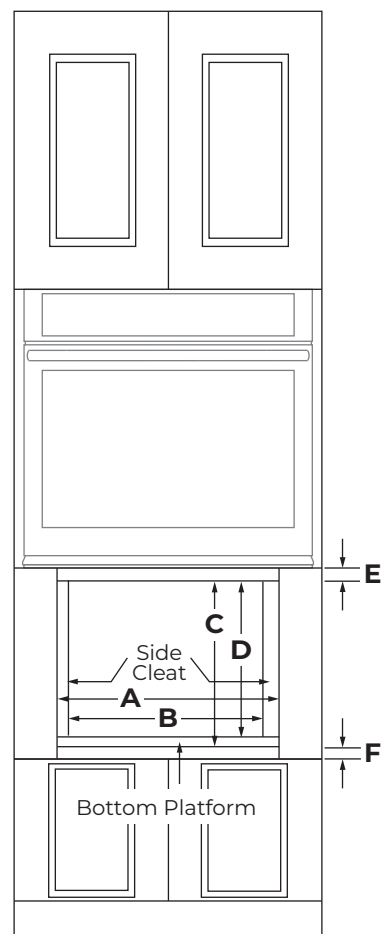
SIDE VIEW

JENNAIR® DIMENSIONS

MICROWAVE DRAWERS

FLUSH OPENING AND CLEARANCE

	24" STAINLESS STEEL JMDFS24GS	24" NOIR™ JMDFS24HM
Cutout Width (A)	24-3/16"-24-1/2" (61.4-62.2 cm) min.	24-3/16"-24-1/2" (61.4-62.2 cm) min.
Width Between Side Cleats (B)	22-1/8" (56.2 cm)	22-1/8" (56.2 cm)
Cutout Height (C)	17" (43.2 cm)	17" (43.2 cm)
Platform to Top of Cutout Height (D)	16-1/8" (41 cm) min.	16-1/8" (41 cm) min.
Cutout Top to Oven or Countertop Bottom (E)	2" (5.1 cm)	2" (5.1 cm)
Cabinet Bottom to Cabinet Door Top (F)	2" (5.1 cm)	2" (5.1 cm)



FRONT VIEW

LOCATION REQUIREMENTS CHECKLIST

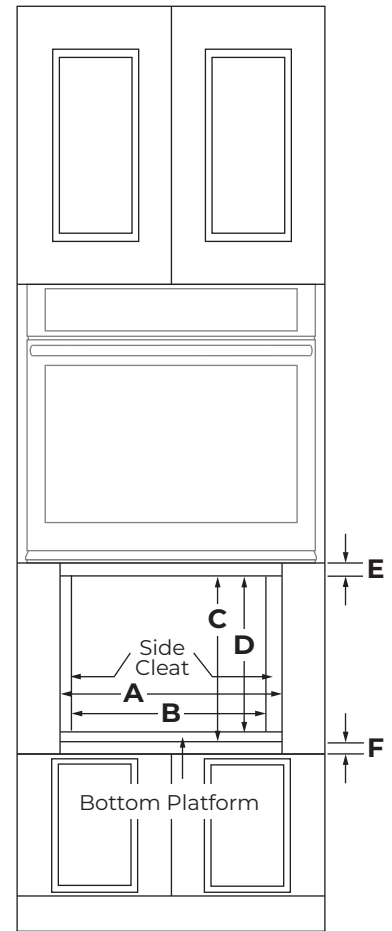
- Support structure must be able to support 100 lb. (45.4 kg), including microwave oven and contents.

JENNAIR® DIMENSIONS

MICROWAVE DRAWERS

FLUSH OPENING AND CLEARANCE

	30" RISE™ JMDFS30HL	30" NOIR™ JMDFS30HM
Cutout Width (A)	30-1/4"-30-9/16" (76.8-77.6 cm) min.	30-1/4"-30-9/16" (76.8-77.6 cm) min.
Width Between Side Cleats (B)	28-7/16" (72.2 cm)	28-7/16" (72.2 cm)
Cutout Height (C)	17" (43.2 cm)	17" (43.2 cm)
Platform to Top of Cutout Height (D)	16-1/8" (41 cm) min.	16-1/8" (41 cm) min.
Cutout Top to Oven or Countertop Bottom (E)	2" (5.1 cm)	2" (5.1 cm)
Cabinet Bottom to Cabinet Door Top (F)	2" (5.1 cm)	2" (5.1 cm)



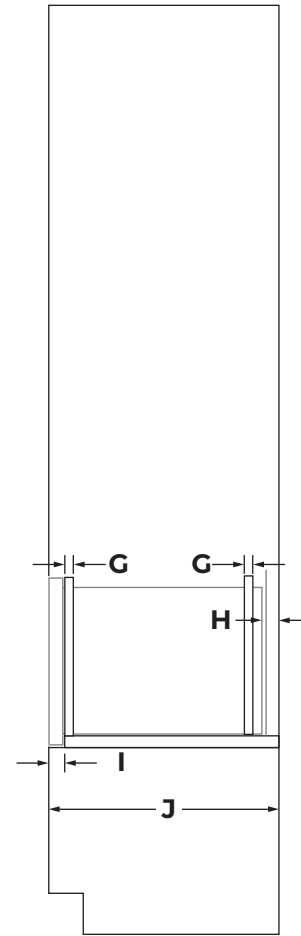
FRONT VIEW

JENNAIR® DIMENSIONS

MICROWAVE DRAWERS

FLUSH OPENING AND CLEARANCE

	24" STAINLESS STEEL JMDFS24GS	24" NOIR™ JMDFS24HM
Side Cleat Depth (G)	1-9/16" (3.9cm)	1-9/16" (3.9cm)
Microwave Back to Cabinet Back Depth (H)	3-1/2" (8.9 cm)	3-1/2" (8.9 cm)
Cabinet Face to Front of Platform Depth (I)	1-7/8" (4.8 cm)	2-1/16" (5.3 cm)
Cutout Depth (J) (Flush Receptacle)	23-1/2" (59.7 cm) min.	23-11/16" (60.2 cm) min.
Cutout Depth (J) (Non-flush Receptacle)	28" (71.1 cm)	28-3/16" (71.6 cm)



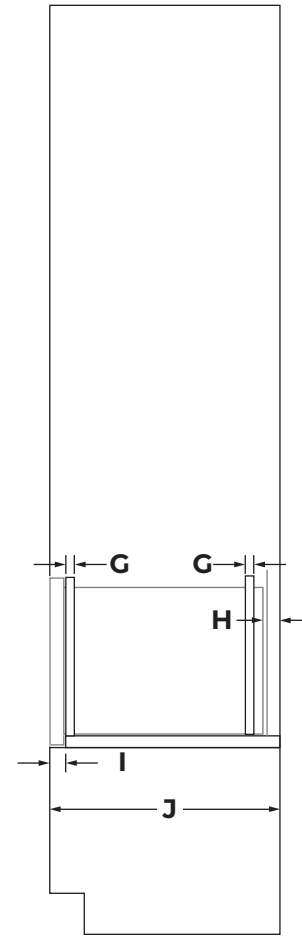
SIDE VIEW

JENNAIR® DIMENSIONS

MICROWAVE DRAWERS

FLUSH OPENING AND CLEARANCE

	30" RISE™ JMDFS30HL	30" NOIR™ JMDFS30HM
Side Cleat Depth (G)	1/8" (0.39 cm)	1/8" (0.39 cm)
Microwave Back to Cabinet Back Depth (H)	3-1/2" (8.9 cm)	3-1/2" (8.9 cm)
Cabinet Face to Front of Platform Depth (I)	1-15/16" (4.9 cm)	2-1/16" (5.3 cm)
Cutout Depth (J) (Flush Receptacle)	23-9/16" (59.8 cm) min.	23-11/16" (60.2 cm) min.
Cutout Depth (J) (Non-flush Receptacle)	28-1/16" (71.2 cm)	28-3/16" (71.6 cm)



SIDE VIEW

JENNAIR® DIMENSIONS

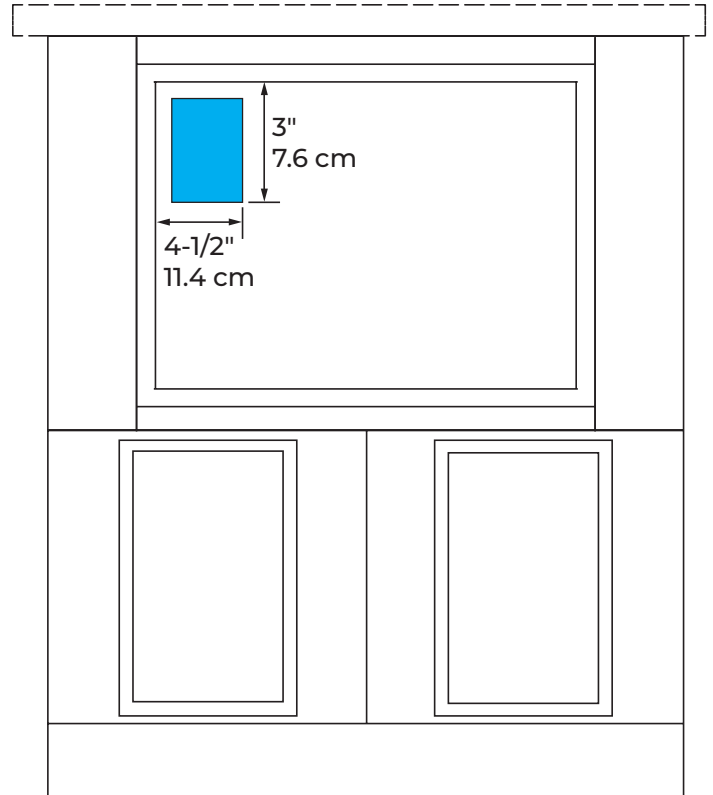
MICROWAVE DRAWERS

ELECTRICAL REQUIREMENTS

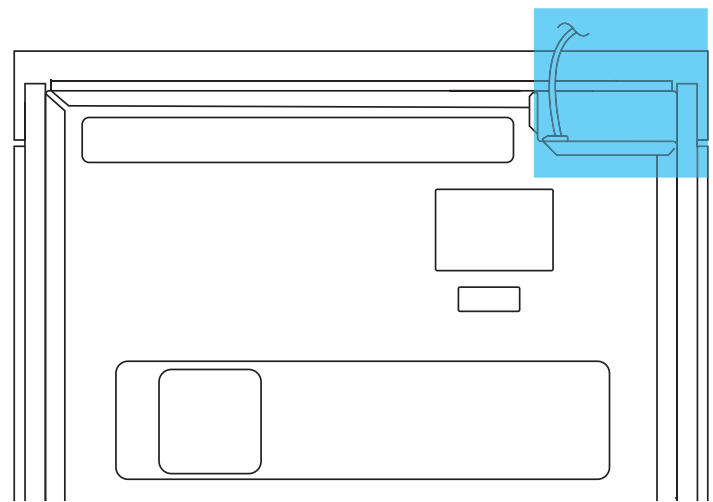
ELECTRIC REQUIREMENTS CHECKLIST

- 120 volt, 60 Hz, AC only, 15- or 20-amp fused, grounded circuit is required.
- A time-delay fuse or dedicated circuit is recommended.
- Do not use an extension cord.

RECOMMENDED ELECTRICAL ZONE



POWER SUPPLY LOCATION



FRONT VIEW

BACK VIEW



IF YOU HAVE QUESTIONS ABOUT YOUR ELECTRICAL SUPPLY, CALL A LICENSED, QUALIFIED ELECTRICIAN.