

INSTALLATION INSTRUCTIONS

for JennAir® Compactor RISE™ Panel Accessory

In many instances, customers want to integrate the undercounter compactor appearance with overall kitchen design. Use the materials in this accessory kit to install the panel by following the installation instructions.

Before you begin:

A qualified service technician must perform installation.

Panel Accessory contains:

- 1 Front Panel and Handle Assembly
- 6 Screws — #8 x 3/8" Low Rd. Head

Tools required:

Phillips Screwdriver

Installation Procedure

1. Remove Drawer from Compactor by pulling out and lifting up to remove. Set the drawer on protective surface such as cardboard, to protect the customer's floor.
2. If your Compactor currently has a front panel and handle, remove the assembly by removing the 6 screws holding the front panel to drawer. Then lift the front panel and handle assembly upward and OFF.

3. Slide new front panel assembly on drawer from the top. Use the six (6) mounting screws supplied to mount the front panel assembly. See Figure 1.

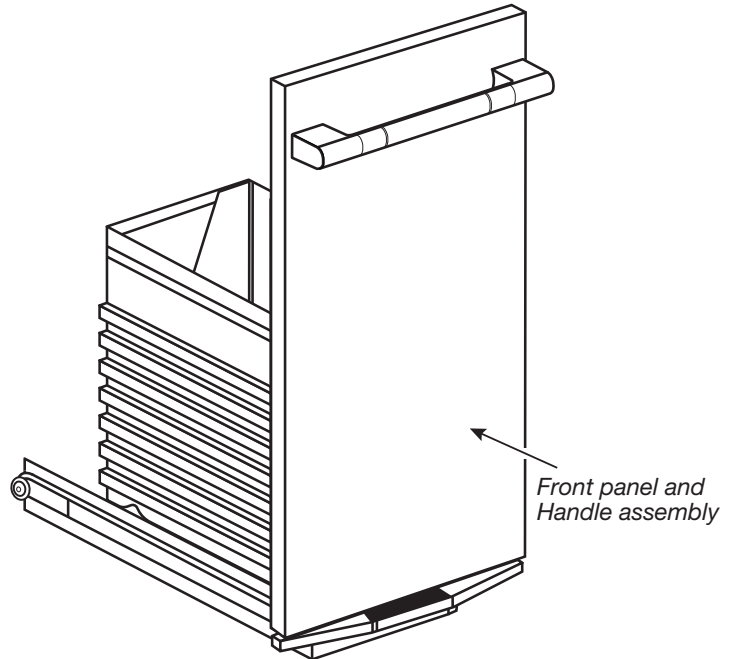


Figure 1

4. Install drawer assembly in compactor.