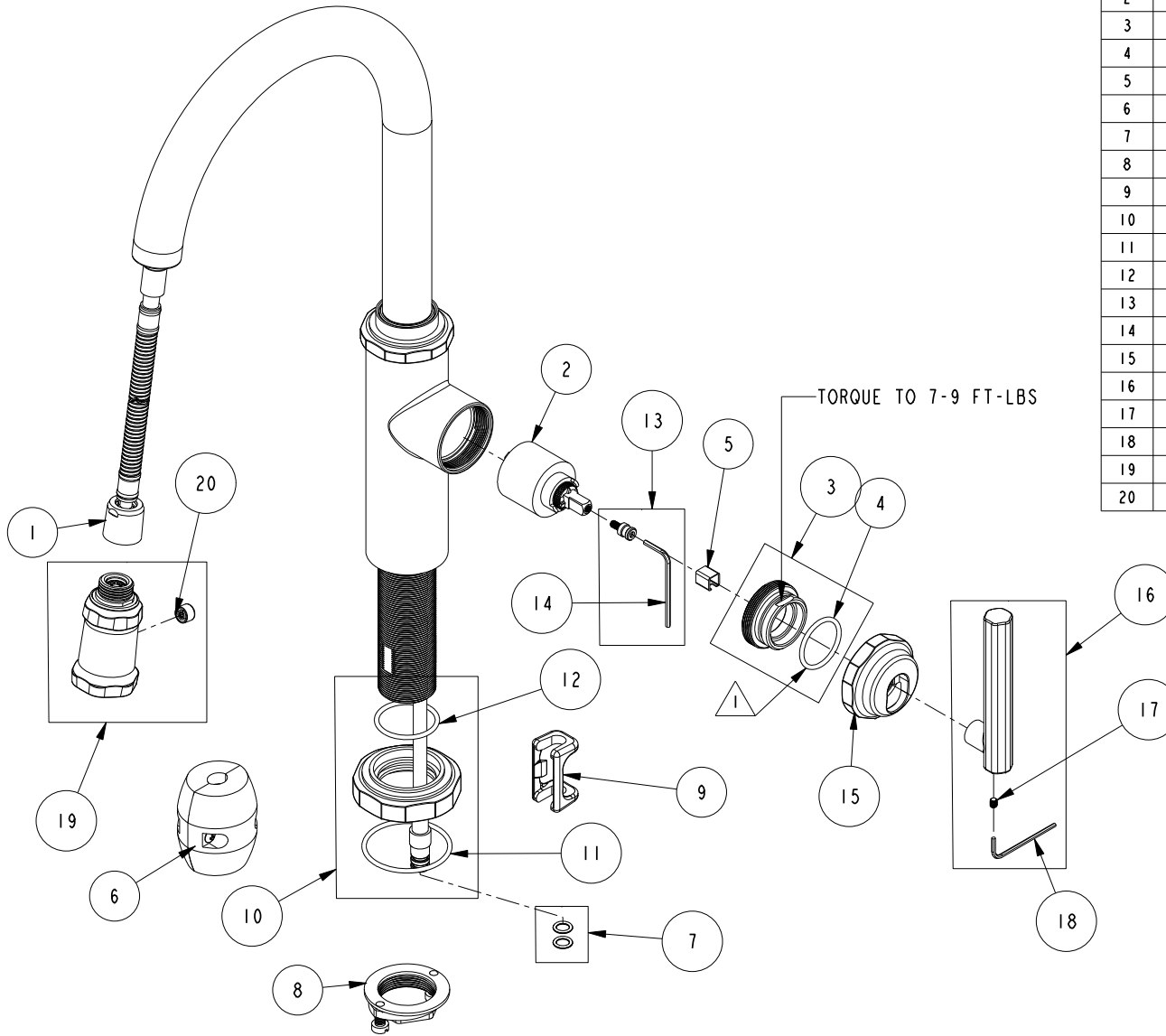


REPLACEMENT PARTS

NOTE:

1 USE SILICON GREASE (PART NUMBER 6727) TO LUBRICATE O-RINGS BEFORE INSTALL.



| ITEM | PT/ASSY | SPECIFY FINISH | DESCRIPTION |
|------|---------|----------------|------------------------------------|
| 1 | 11877 | | HOSE, PULLDOWN SWIVEL |
| 2 | 1-064 | | SINGLE LEVER CARTRIDGE |
| 3 | 1-266 | | CART. RETAINER ASM |
| 4 | 91608 | | O-RING, #2-122, EPDM, 65-75 DURO |
| 5 | 91534 | | CARTRIDGE STEM INSERT |
| 6 | 1-286 | | WEIGHT ASM |
| 7 | 1-399 | | O-RING KIT FOR SPOUT PEX CONECTION |
| 8 | 1-256 | | MOUNTING KIT |
| 9 | 91568 | | RETAINER CLIP |
| 10 | 20-208 | YES | BASE RING ASM |
| 11 | 91756 | | O-RING #2-134, EP, 50 DURO - GREY |
| 12 | 91227 | | O-RING, #2-125 EPDM |
| 13 | 1-519 | | HANDLE ADAPTER SCREW WITH HEX KEY |
| 14 | 10159 | | HEX KEY, 3/32 ALLOY STEEL |
| 15 | 12844 | YES | HANDLE HUB |
| 16 | 20-321 | YES | HANDLE LEVER ASM |
| 17 | 92001 | | SCRW, 8-32 X 3/16 SKT HD FLT PT SS |
| 18 | 10192 | | HEX KEY TOOL, #8 5/64 |
| 19 | 3-588 | YES | SPRAY HEAD, TAFT |
| 20 | 91704 | | BUTTON |

KITCHEN PULL DOWN
3190-5113

REV K EN-4766 01/16/24 APPROVED RS

NEWPORT BRASS.

t: 949.417.5207 | www.newportbrass.com