
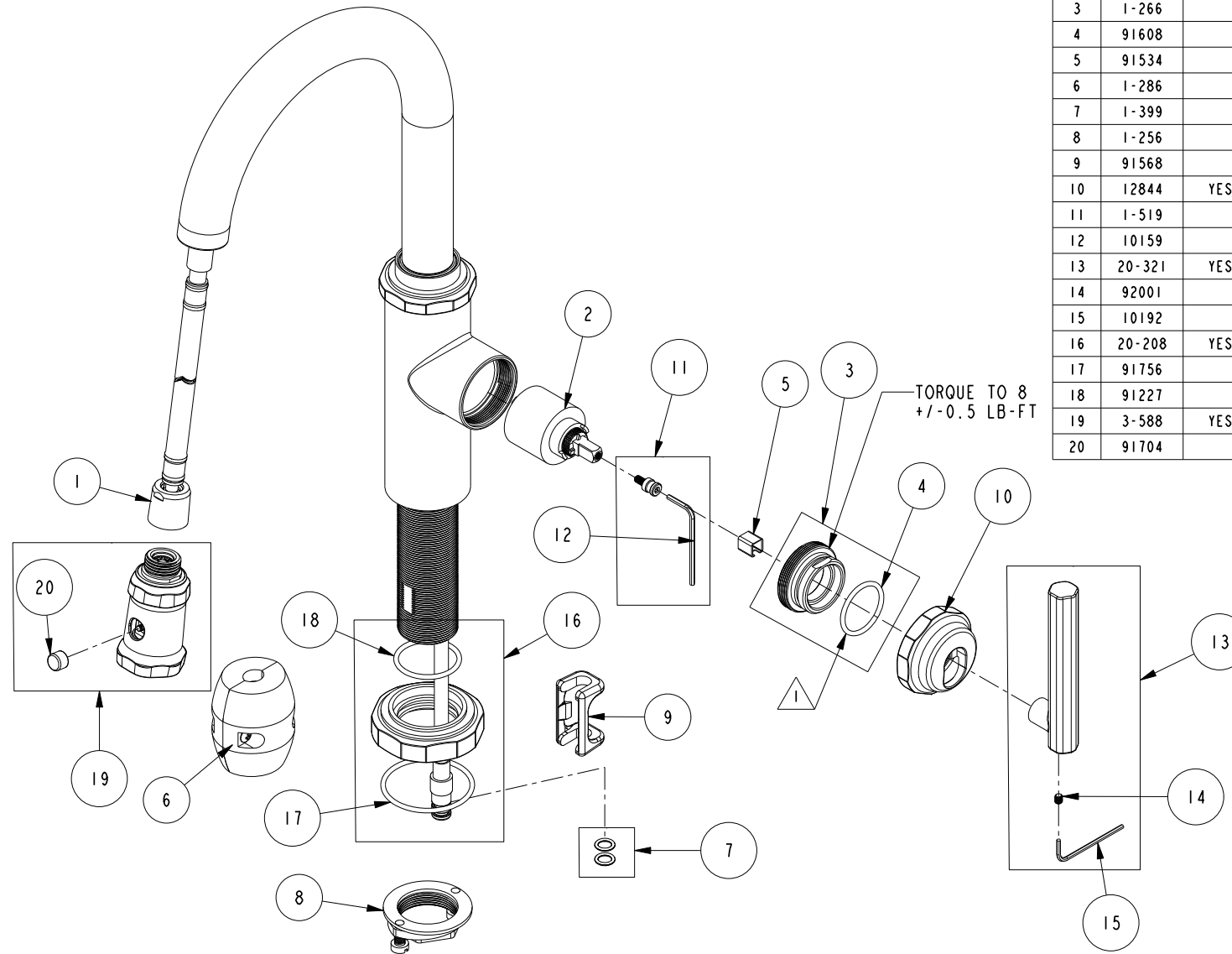


# REPLACEMENT PARTS

NOTE:

 USE SILICON GREASE (PART NUMBER 6727) TO LUBRICATE O-RINGS BEFORE INSTALL.



ITEM	PT/ASSY	SPECIFY FINISH	DESCRIPTION
1	11877		HOSE, PULLDOWN SWIVEL
2	1-064		SINGLE LEVER CARTRIDGE
3	1-266		CART. RETAINER ASM
4	91608		O-RING, #2-122, EPDM, 65-75 DURO
5	91534		CARTRIDGE STEM INSERT
6	1-286		WEIGHT ASM
7	1-399		O-RING KIT FOR SPOUT PEX CONECTION
8	1-256		MOUNTING KIT
9	91568		RETAINER CLIP
10	12844	YES	HANDLE HUB
11	1-519		HANDLE ADAPTER SCREW WITH HEX KEY
12	10159		HEX KEY, 3/32 ALLOY STEEL
13	20-321	YES	HANDLE LEVER ASM
14	92001		SCRW, 8-32 X 3/16 SKT HD FLT PT SS
15	10192		HEX KEY TOOL, #8 5/64
16	20-208	YES	BASE RING ASM
17	91756		O-RING #2-134, EP, 50 DURO - GREY
18	91227		O-RING, #2-125 EPDM
19	3-588	YES	SPRAY HEAD, TAFT
20	91704		BUTTON

PREP/BAR PULL DOWN  
3190-5223

REV F EN-4646 05/08/23 APPROVED RS

**NEWPORT BRASS.**

t: 949.417.5207 | www.newportbrass.com