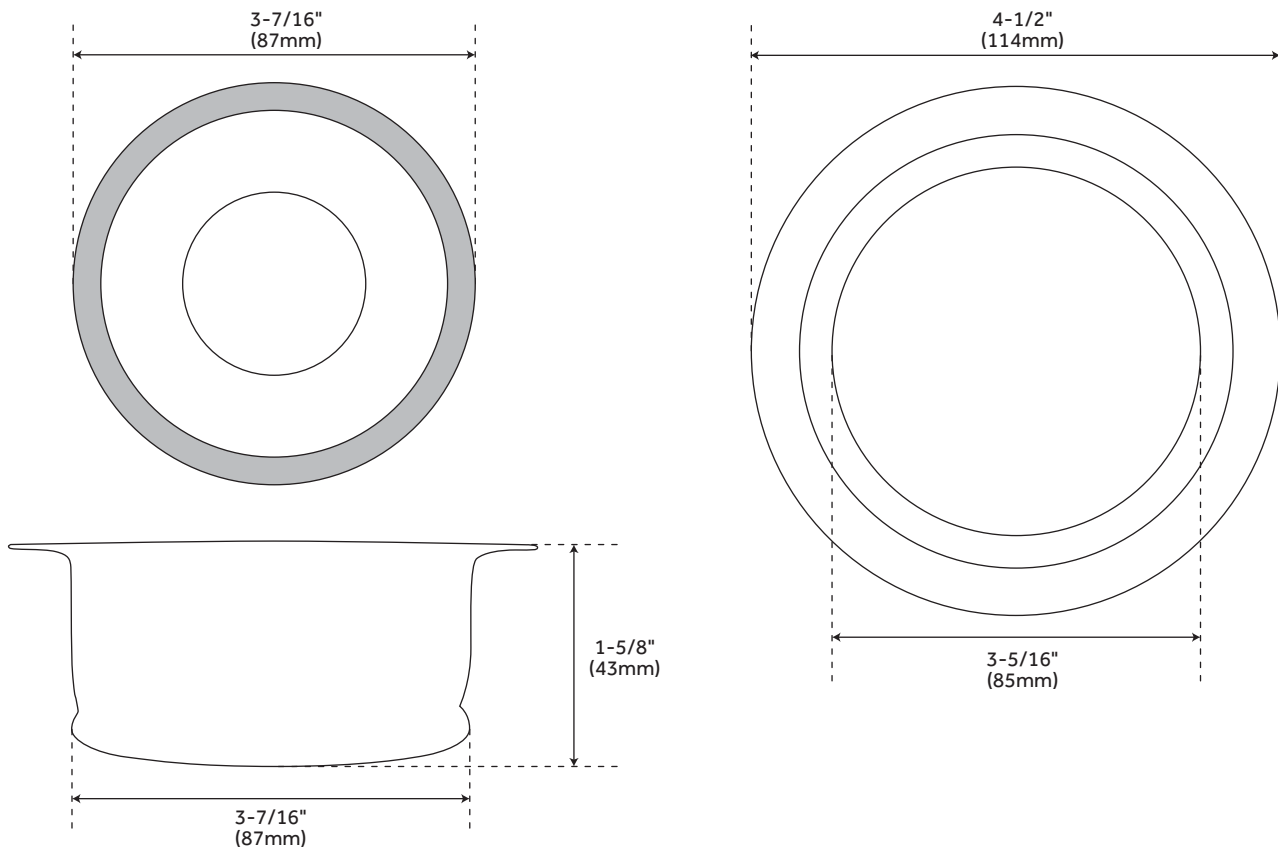


DISPOSER

FLANGE & STOPPER - 3-1/2"

SKU: 900406



FEATURES

- Drain Size: 3-1/2"
- Maximum Sink Thickness: 5/8"
- Not compatible with fireclay or marble sinks.
- Flange made of solid brass, except Stainless Steel, which is made of Stainless Steel with a PVD finish
- Includes stopper
- Fits most InSinkErator disposals and continuous feed three-bolt disposers with 3-3/8" I.D.
- Disposer flange measures 1-5/8" deep overall and fits sinks up to 5/8" thick
- Disposer flange does not have threads

SIGNATURE HARDWARE LIFETIME WARRANTY

See website for warranty information



All dimensions and specifications are nominal and may vary. Use actual products for accuracy in critical situations.

REVISED 12/03/2019
Code: SH162BN/SH162CP/SH162ORB/
SH162PN/SH162SS/SH162WH