

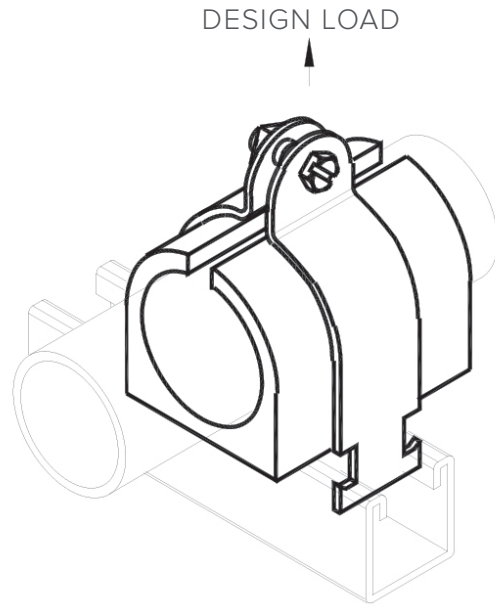
FIGURE 7816 STRUT CLAMPS



CUSHIONED TUBING STRUT CLAMP

FEATURES

- Material: thermoplastic elastomer
- Temperature range: -65°F to 275°F
- Hardness shore "A" (per ASTM D-792)
- Dielectric strength: 670 volts/mil



REFERENCE CHART

Item #	Tubing O.D.			Design Load	
	In. (Fractions)	In. (Decimal)	mm	Lbs.	kN
FNW7816Y0025	1/4	0.250	6.4	330	1.48
FNW7816Y0037	3/8	0.375	9.5	330	1.48
FNW7816S0037					
FNW7816Y0050	1/2	0.500	12.7	330	1.48
FNW7816S0050					
FNW7816Y0062	5/8	0.625	15.9	330	1.48
FNW7816Y0075	3/4	0.750	19.0	330	1.48
FNW7816Y0087	7/8	0.875	22.3	330	1.48
FNW7816S0087					
FNW7816Y0100	1	1.000	25.4	330	1.48
FNW7816Y0112	1-1/8	1.125	28.6	330	1.48
FNW7816Y0125	1-1/4	1.250	31.8	330	1.48
FNW7816Y0137	1-3/8	1.375	34.9	330	1.48
FNW7816Y0150	1-1/2	1.500	38.1	730	3.26
FNW7816Y0162	1-5/8	1.625	41.3	730	3.26
FNW7816Y0187	1-7/8	1.875	47.6	730	3.26
FNW7816Y0200	2	2.000	50.8	730	3.26
FNW7816Y0212	2-1/8	2.125	54.0	730	3.26
FNW7816Y0262	2-5/8	2.625	66.7	730	3.26
FNW7816Y0312	3-1/8	3.125	79.4	730	3.26
FNW7816Y0362	3-5/8	3.625	92.1	1200	5.34
FNW7816Y0412	4-1/8	4.125	104.8	1200	5.34