

ROHL WARRANTY POLICY

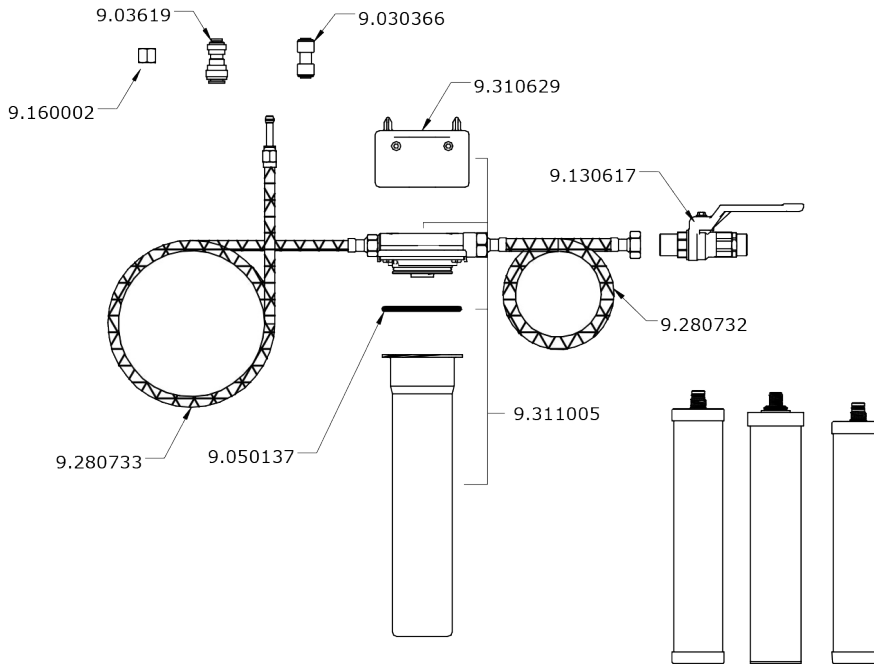
All products supplied by ROHL carry warranties against manufacturing defects.

Triflow products carry a Limited Lifetime Warranty.

ROHL LLC will provide free of charge, as its options, replacement part(s) or product (or a comparable alternative product) to replace those which have proven defective in materials or workmanship.

For full ROHL LLC WARRANTY please contact ROHL or visit www.rohlhome.com

SPARES



Cartridge Service

ROHL
3 Parker
Irvine, CA 92618
800-777-9762
www.rohlhome.com

The U.1812 Inline Filter System has been tested & certified by the Water Quality Association according to NSF/ANSI 42 & 53 for the performance claims as verified and substantiated by the test data.



Katadyn of Switzerland
Exclusive manufacturers of the FRX02 Filter Cartridges for Triflow